

Item: DAMD3E

Assembly Instructions

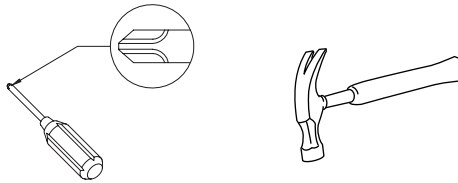


Please visit our website for the most current instructions, assembly tips, to report damage or request parts. www.walkerredison.com

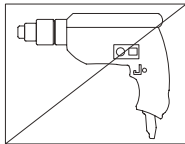
Revised 03/24-V-2

General Assembly Guidelines

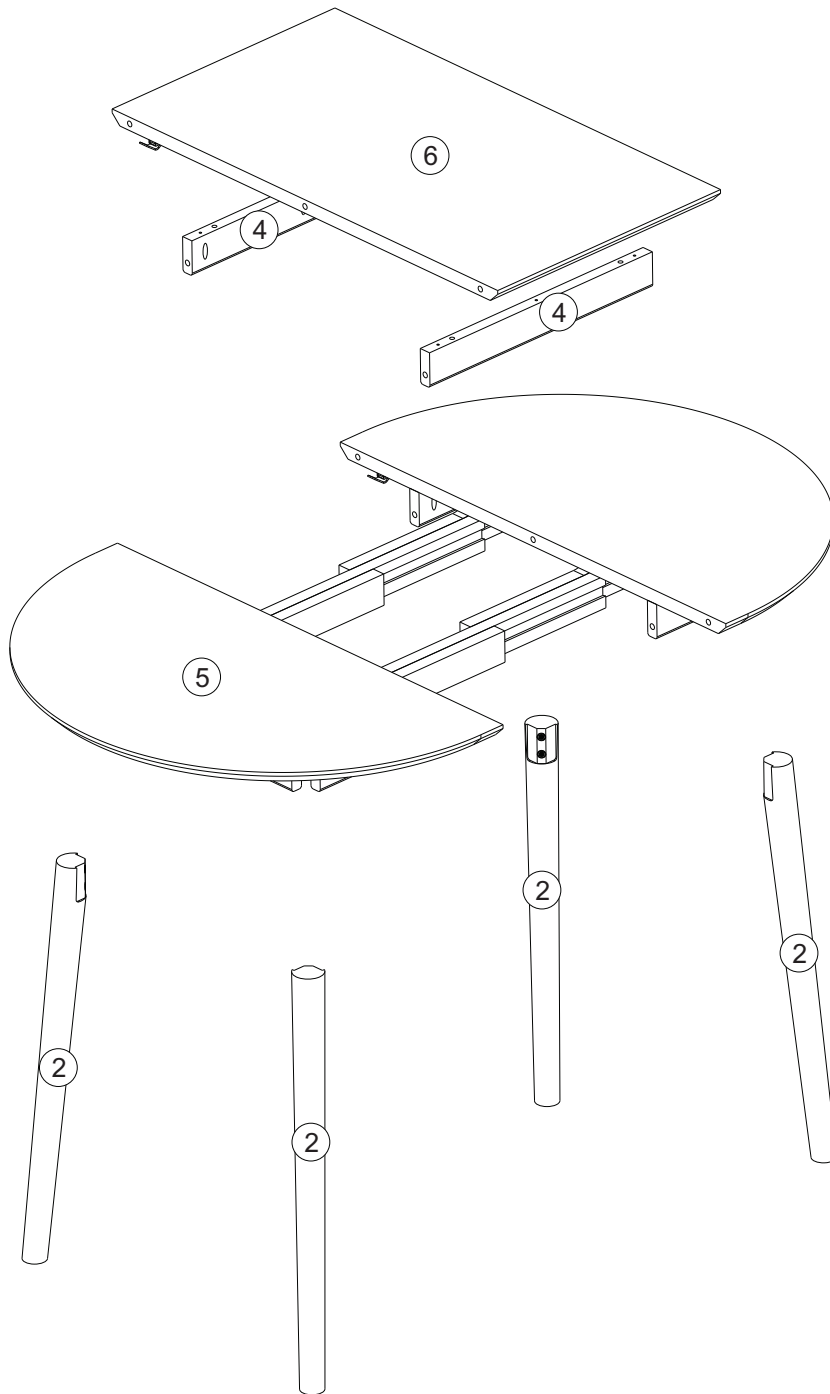
- I. Ensure that all parts and hardware are available before beginning assembly.
- II. Follow each step carefully to ensure the proper assembly of this product.
- III. Two people are recommended for ease in the assembly of this product.
- IV. The three main types of hardware used to assemble this product are wood dowels, screws and bolts.
- V. A Phillips head screwdriver and hammer is required for the assembly of this product.



- V I. Power tools should not be used to assemble this product.

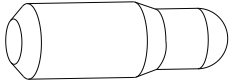
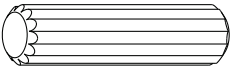
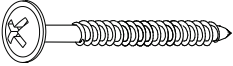
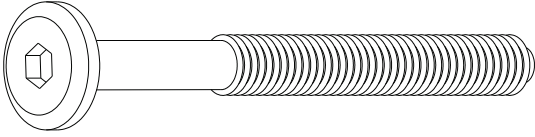

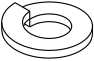


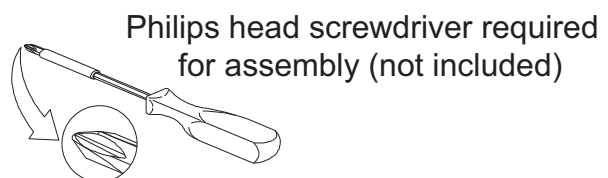
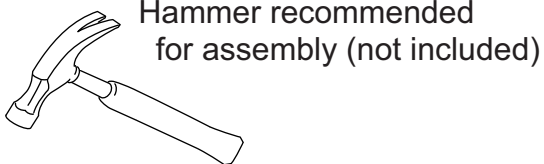
Parts List



Part #	Description	Qty
2	Leg	04 pcs
4	Rail	02 pcs
5	Table top	01 pc
6	Extension top	01 pc

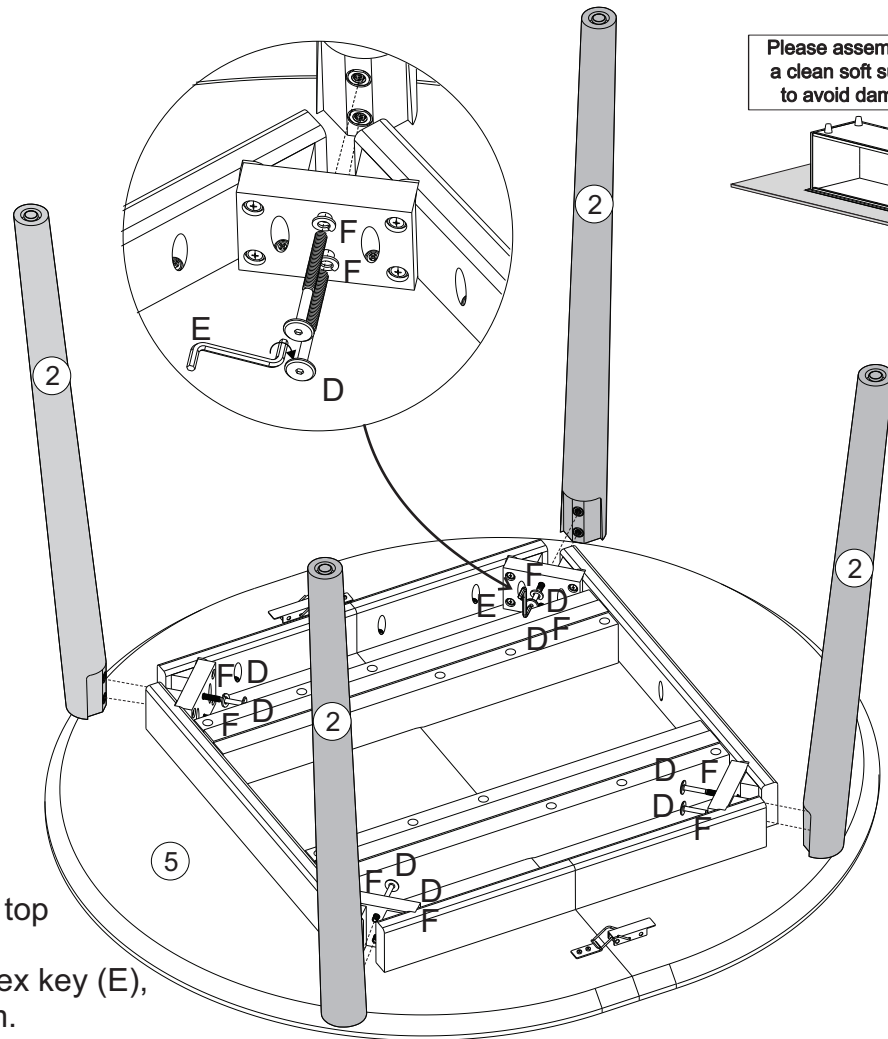
Hardware List

A		ø10*30mm	Wooden dowel	02 pcs
B		ø8*30mm	Wooden dowel	04 pcs
C		ø3,5*30mm	Screw	06 pcs
D		ø1/4"*70mm	Screw	08pcs
E			Hex Key	01 pcs
F		12mm	Washer	08 pcs

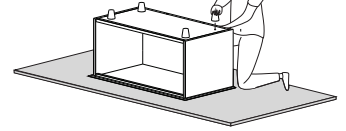


*The hardware quantities listed above are required for proper assembly.
Some extra hardware may also have been included.*

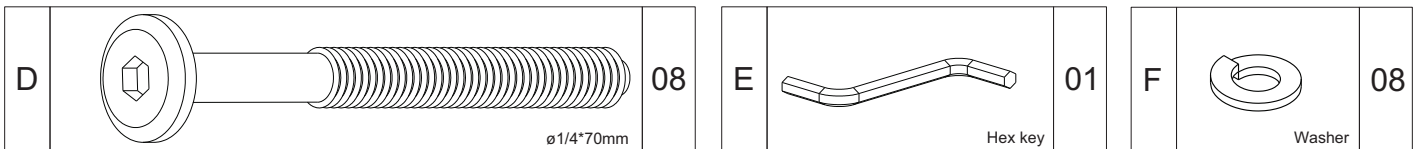
Step 1



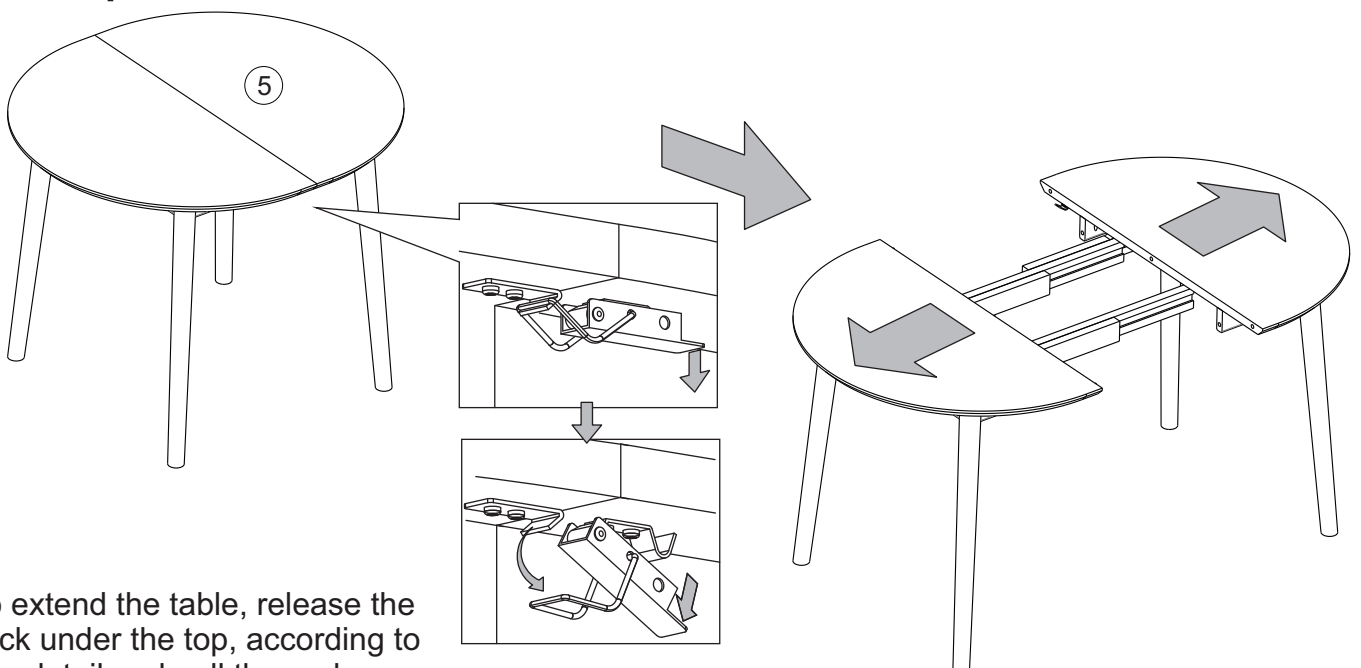
Please assemble on a clean soft surface to avoid damage.



Fix the legs on the table top with the screws (D) and washers (F) using the Hex key (E), according to the diagram.

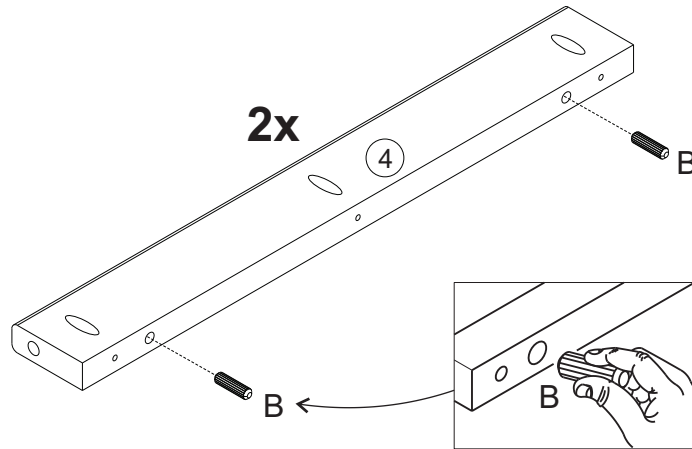


Step 2

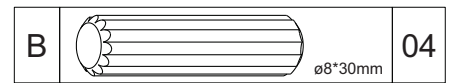


To extend the table, release the lock under the top, according to the detail and pull the ends.

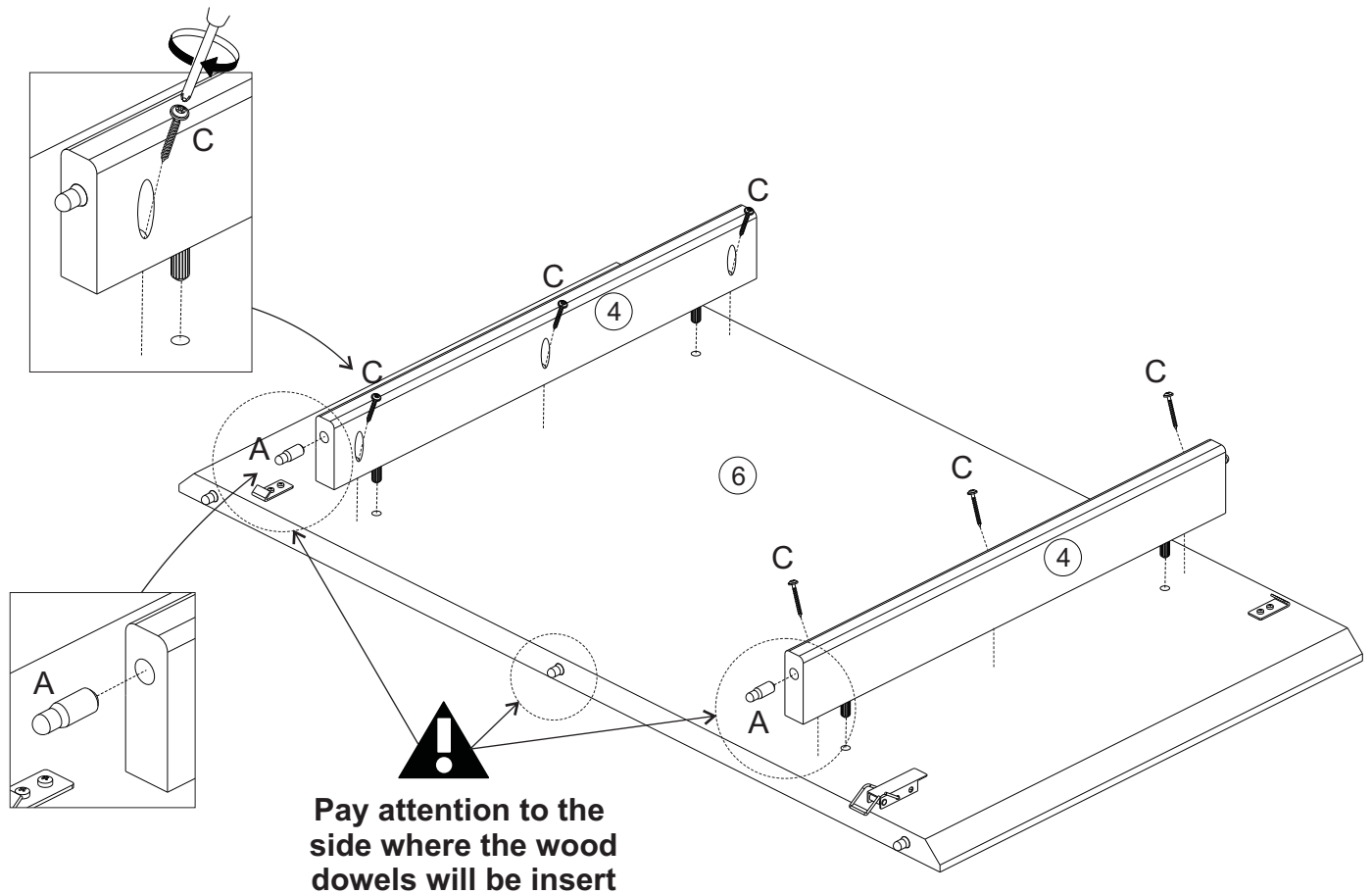
Step 3



Insert wood dowel (B) into part 4

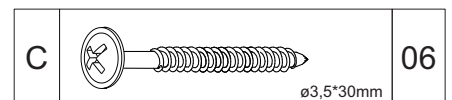
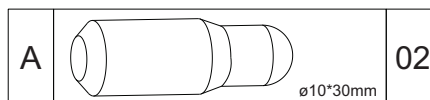


Step 4

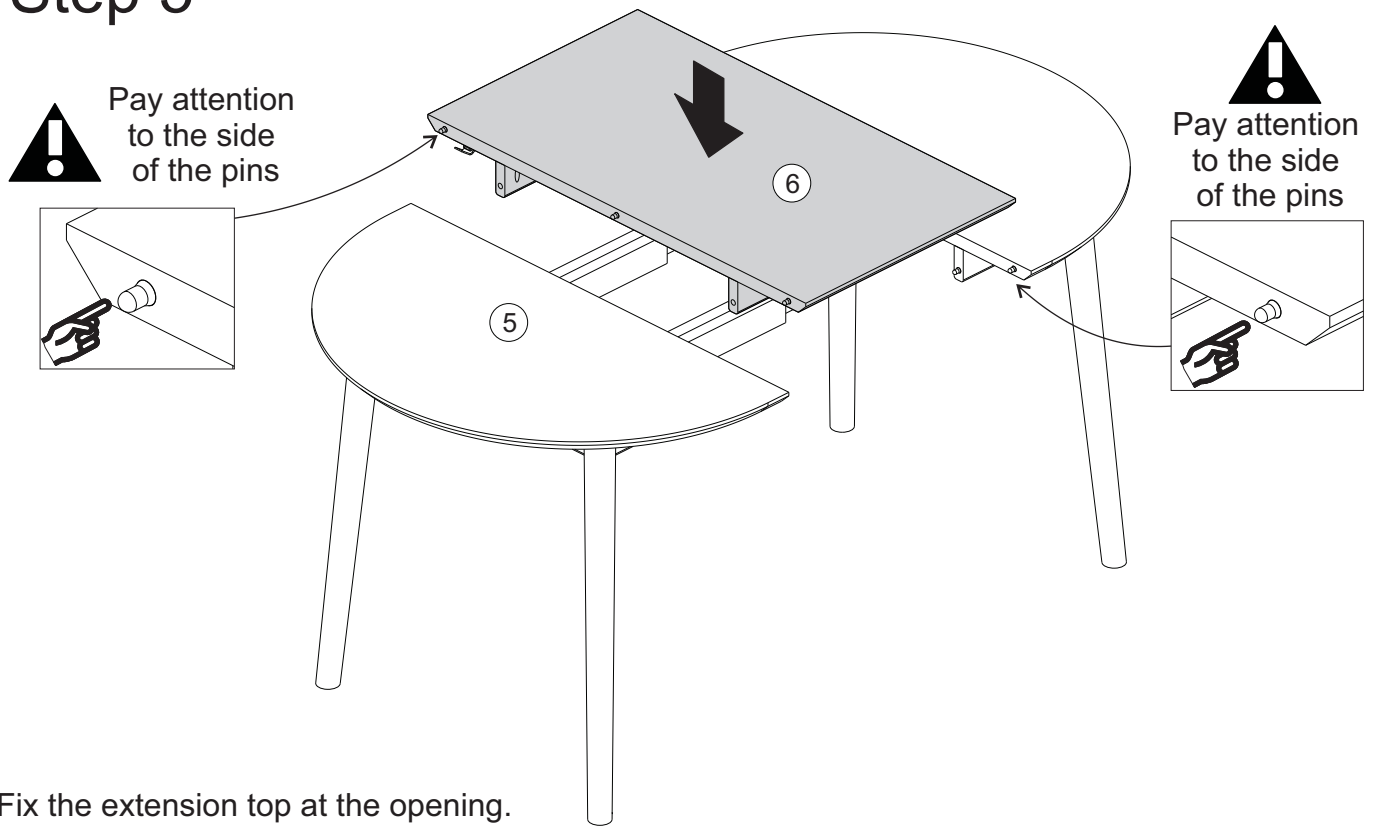


Pay attention to the side where the wood dowels will be insert

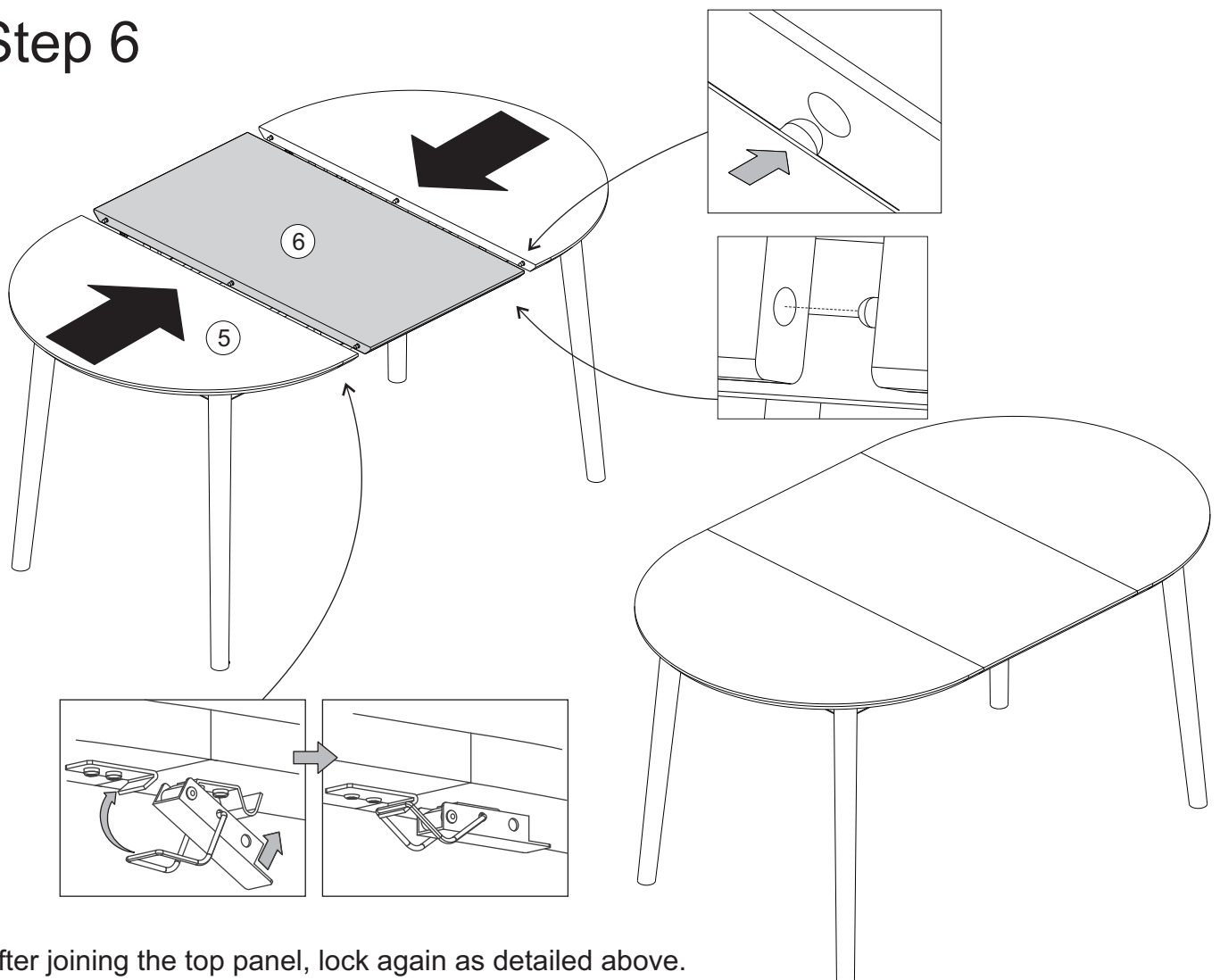
Fix the rails on the extension top with the screws (C) using a Phillips Head Screwdriver. Insert wood dowel (A) into part 4.



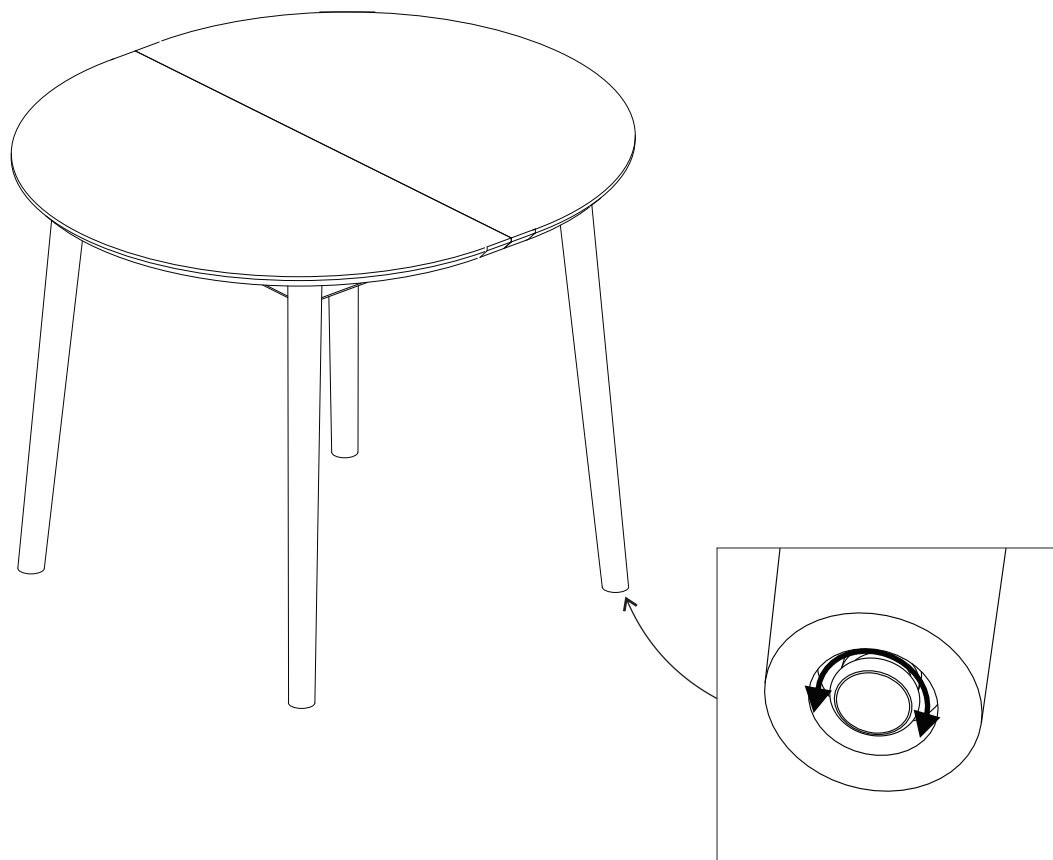
Step 5



Step 6

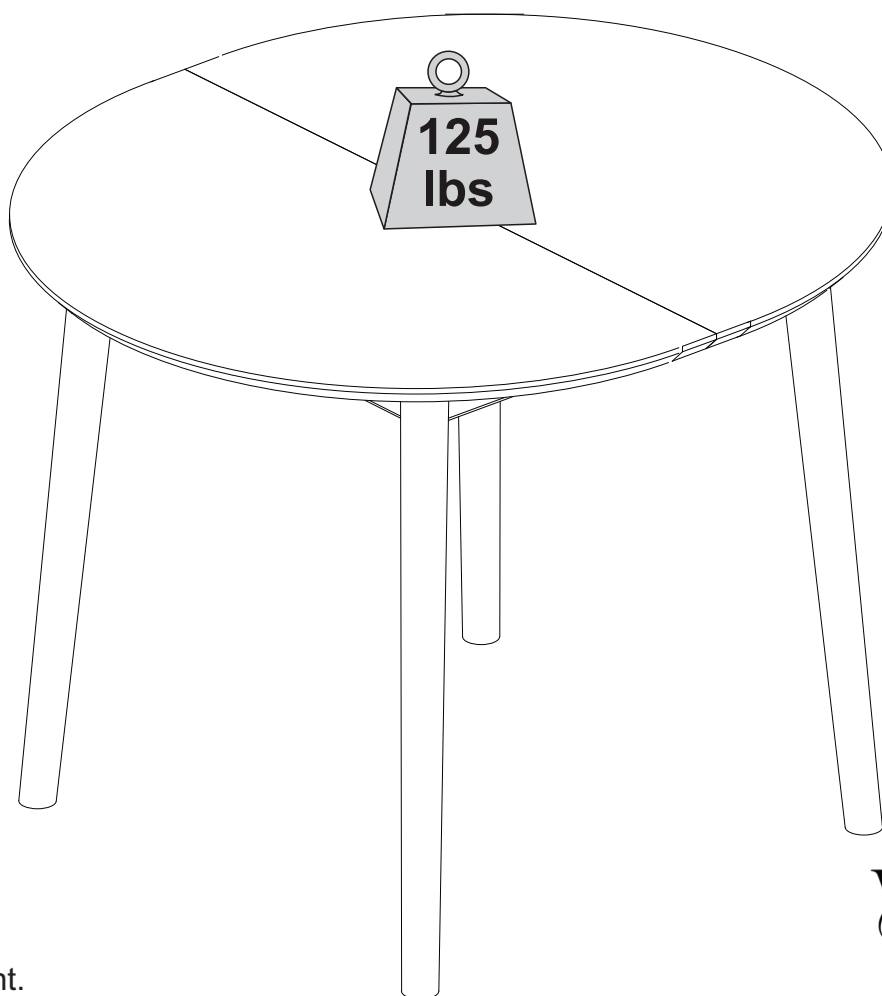


Step 7



If necessary, adjust the feet to be level with the floor as shown in the diagram.

Step 8



Distributed weight.

 Walker
Edison[®]