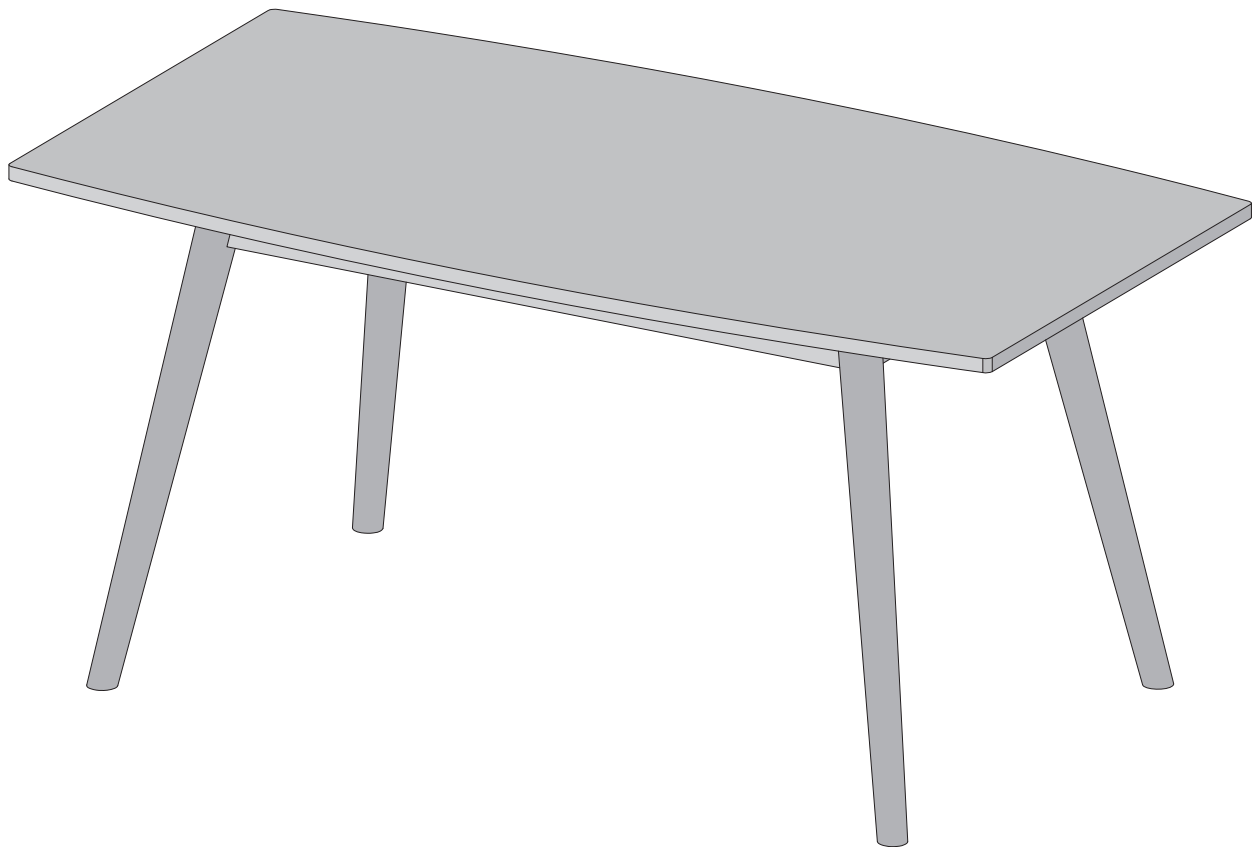




Item # : TW60MC
Assembly Instructions



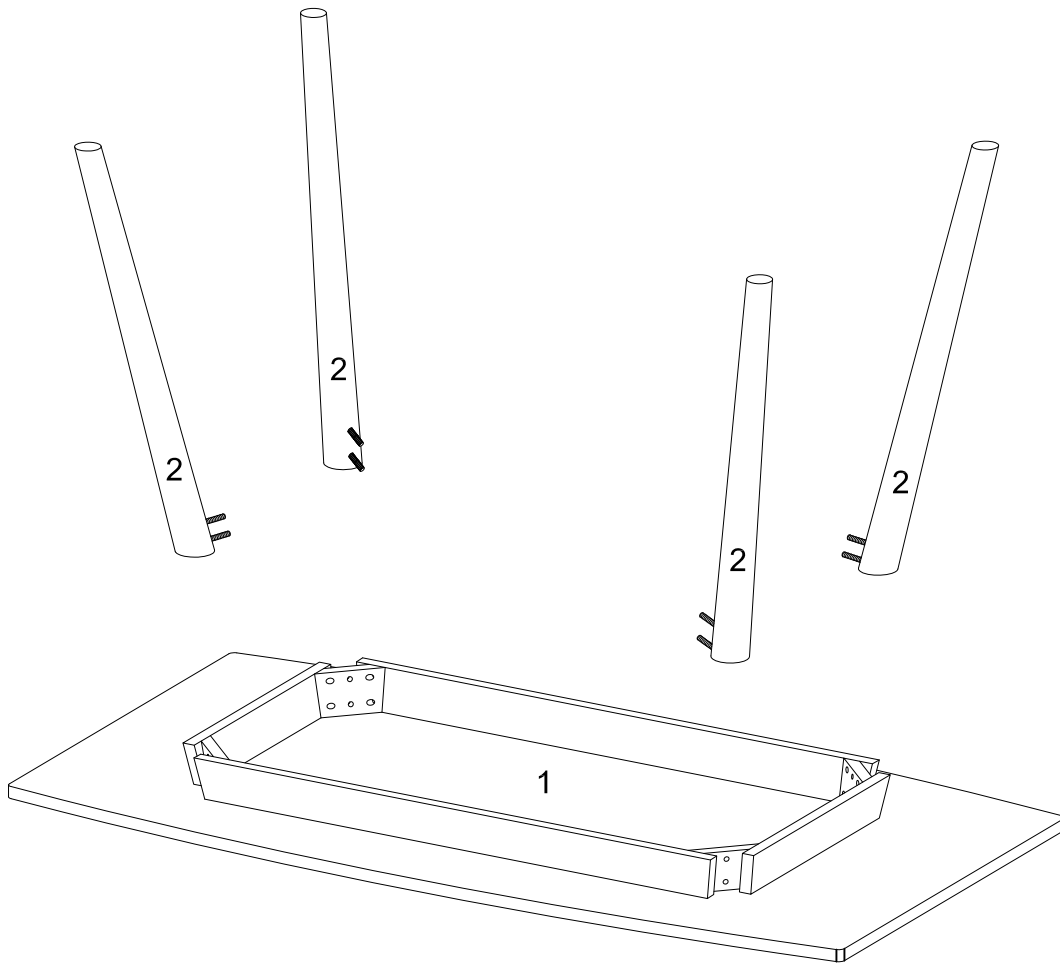
Please visit our website for the most current instructions, assembly tips, report damage, or request parts. www.walkeredison.com

Revised 03/2017




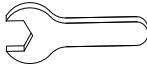
General Assembly Guidelines

- I. Ensure that all parts and hardware are available before beginning assembly.
- II. Follow each step carefully to ensure the proper assembly of this product.
- III. Two people are recommended for ease in the assembly of this product.
- IV. The three main types of hardware used to assemble this product are : nut , spring washer , and washer.

Parts List

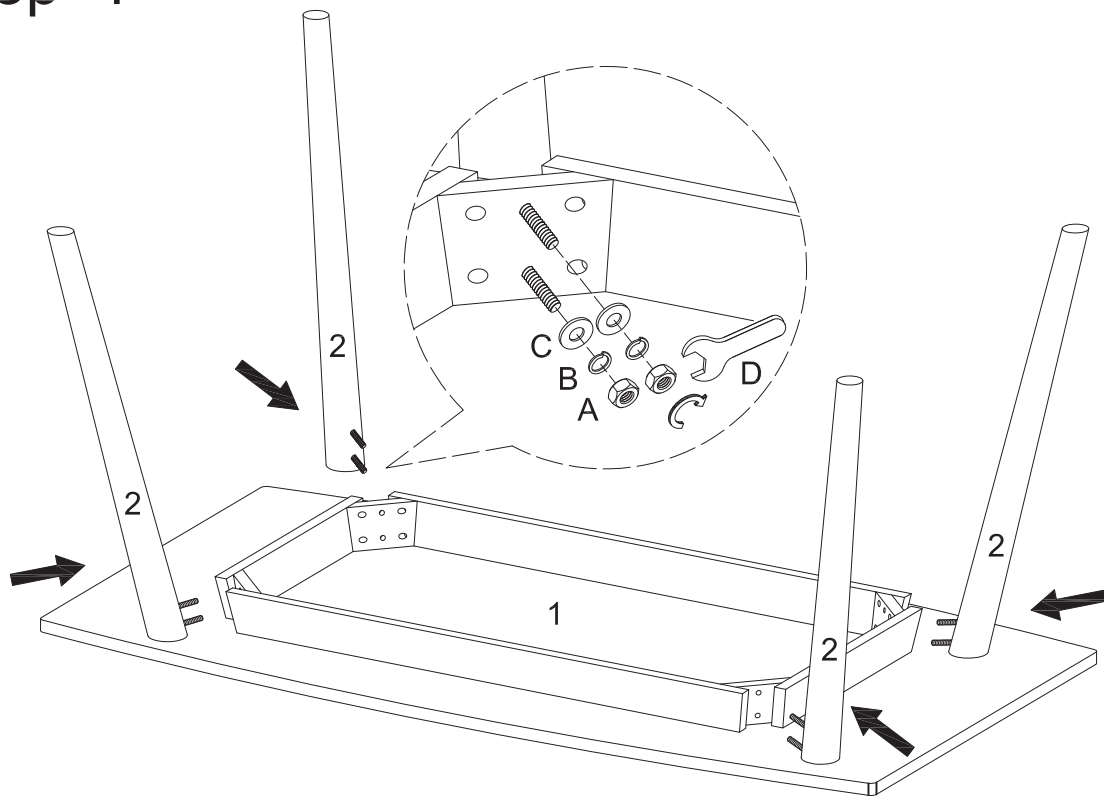


Hardware List

A		Ø5/16"	Nut	8 pcs
B		Ø5/16"	Spring washer	8 pcs
C		Ø5/16"	Washer	8 pcs
D		12.8mm	Wrench	1 pc

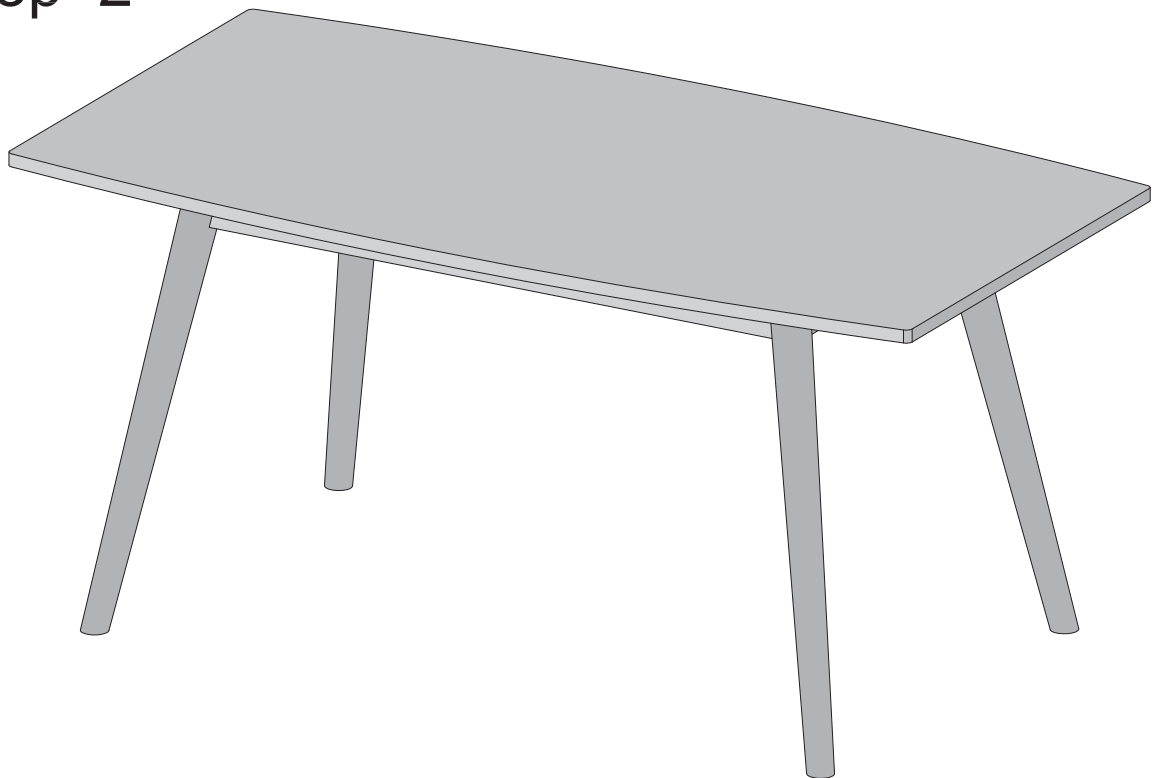
*The hardware quantities listed above are required for proper assembly.
Some extra hardware may also have been included.*

Step 1



Attach the legs (2) to the table top (1) and secure it by using washers (C), spring washers (B), nuts (A) and wrench (D).

Step 2



Final Assembly