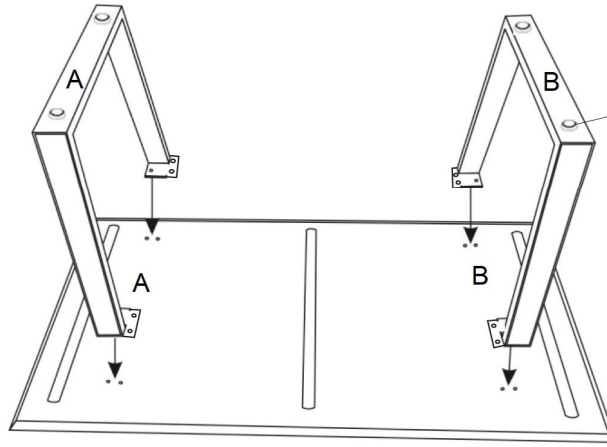
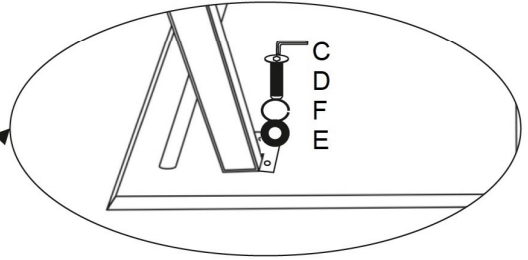
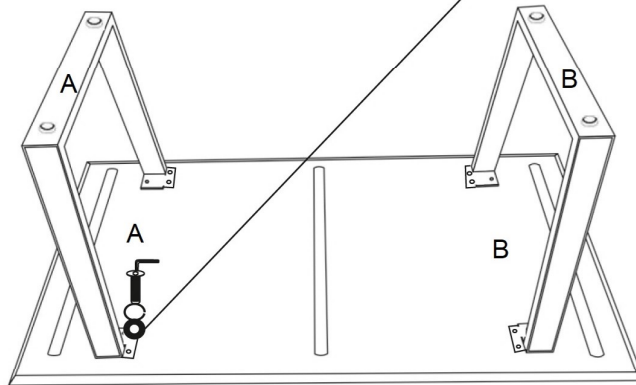


# STEP- 1

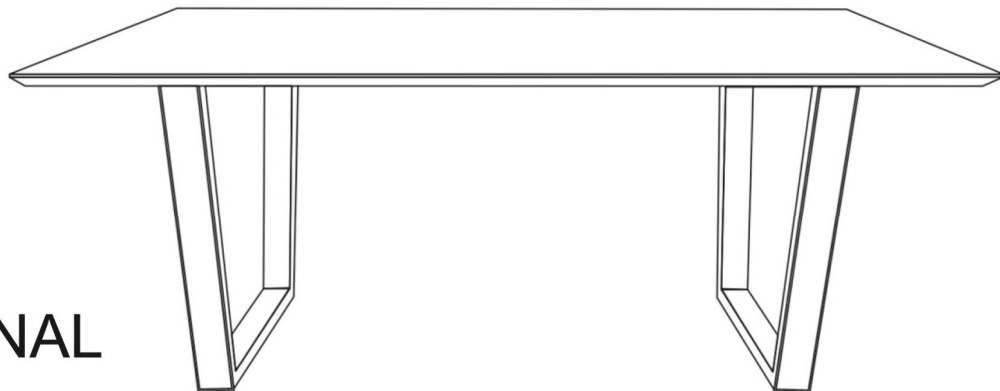
Tip for leveling of product:  
When the product rests on an uneven floor surface  
it will appear to be unbalanced. To aid in leveling, try  
adjusting the levelers on the bottom of each foot.



# STEP- 2



# STEP- 3



# FINAL

# ASSEMBLY INSTRUCTION

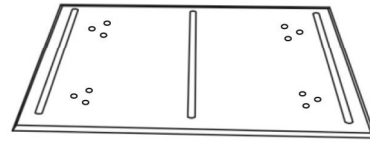
## SKU# 97530

### Before beginning

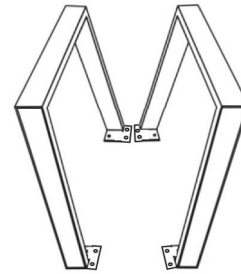
- Unpack all parts and hardware to ensure you have all needed components for assembly.
- Read this guide cover before beginning assembly .
- Assemble this item on a soft surface such as carpet to protect finish.
- Proper assembly of this item requires 2 person & 20 minutes to assemble.

### CARE INSTRUCTIONS

Wipe with a soft and dry cloth. To protect finish, avoid the use of chemicals and household cleaners. Any liquid in the table should be cleaned up immediately with a damp cloth.



**TOP**








**LEG**

### HOW TO ASSEMBLE

STEP-1 Place the dining table top upside on rug and match marking A with A and B With B respectively.

STEP-2 Insert allen bolt D with spring washer F and flat washer E then tighten with allen key C.

STEP-3 Turn the dining table upside down, dining table ready to use.

No.	Sketch	Description.	Size (IN)	Qty.	Ext.
C		ALLEN KEY	0.19"	1	0
D		ALLEN BOLT	0.31X1 "	12	1
E		WASHER	0.35X1 "	12	1
F		SPRING WASHER	0.35X0.5"	12	1
G		SCREWDRIVER		1	0