

ASSEMBLY INSTRUCTION

SKU# 97533

Before beginning

- Unpack all parts and hardware to ensure you have all needed components for assembly
- Read this guide cover before beginning assembly .
- Assemble this item on a soft surface such as carpet to protect finish.
- Proper assembly of this item requires 2 person & 20 minutes to assemble.

CARE INSTRUCTIONS

Wipe with a soft and dry cloth. To protect finish, avoid the use of chemicals and household cleaners. Any liquid in the table should be cleaned up immediately with a damp cloth.



TOP



LEG



SUPPORT

HOW TO ASSEMBLE






STEP-1 match marking A with A and B with B respectively.

STEP-2 Insert allen bolt F then tighten with allen key E.

STEP-3 Place the dining table top upside on rug and match marking C with C and D with D respectively.

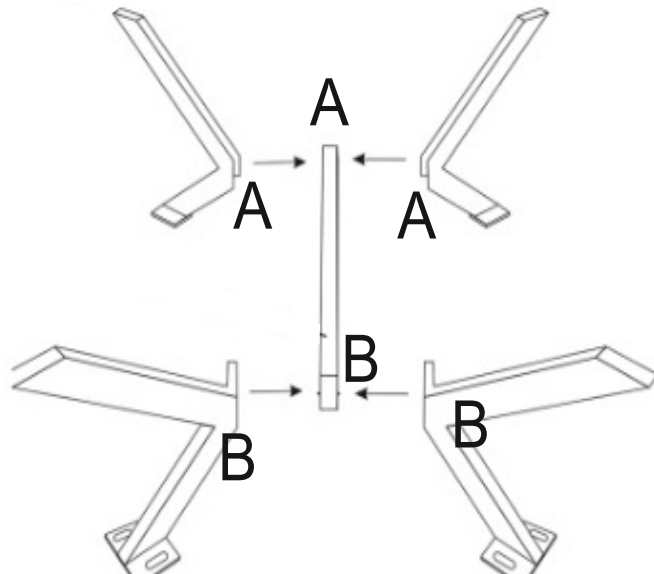
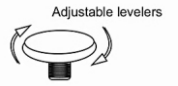
STEP-4 Insert allen bolt F with spring washer H and flat washer G then tighten with allen key E.

STEP-5 Turn the dining table upside down, dining table ready to use.

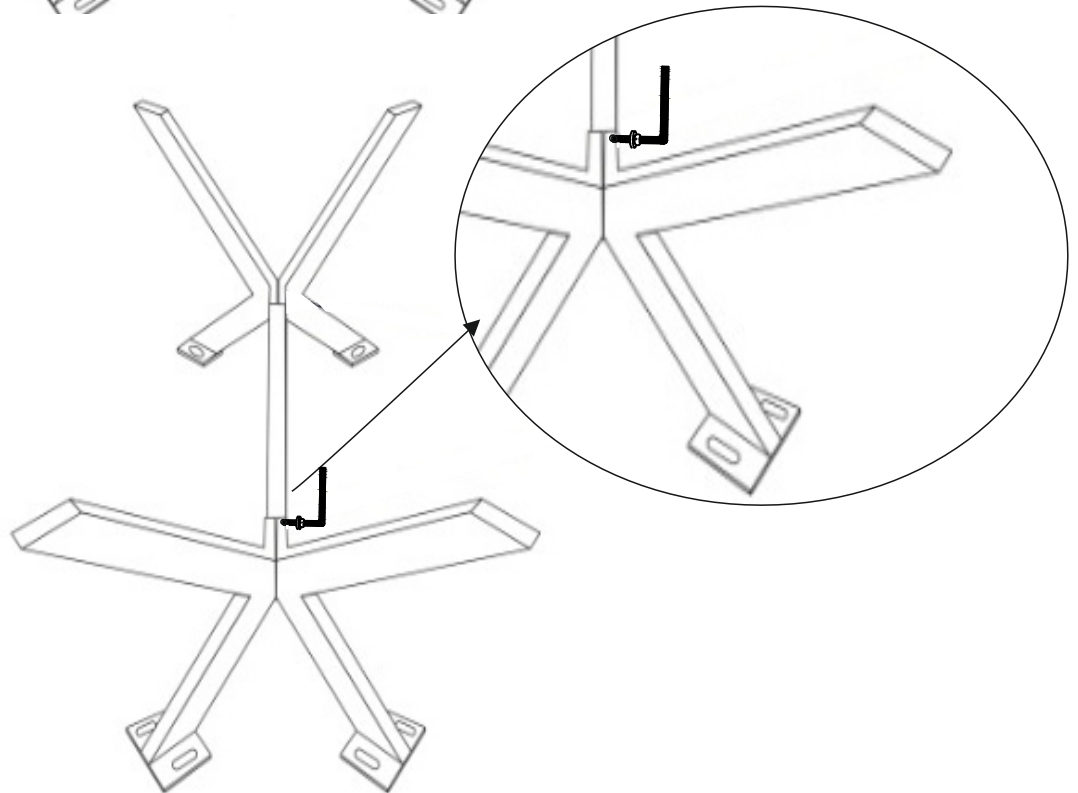
No.	Sketch	Description.	Size (IN)	Qty.	Ext.
E		ALLEN KEY	0.19"	1	0
F		ALLEN BOLT	0.31X1"	10	1
G		WASHER	0.35X1 "	10	1
H		SPRING WASHER	0.35X0.5"	10	1
I		SCREWDRIVER		1	0

STEP- 1

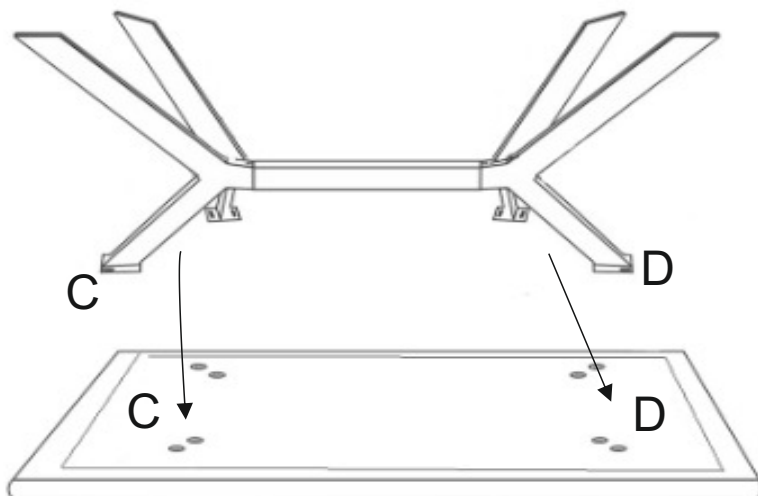
Tip for leveling of product:
When the product rests on an uneven floor surface
it will appear to be unbalanced. To aid in leveling, try
adjusting the levelers on the bottom of each foot.



STEP- 2

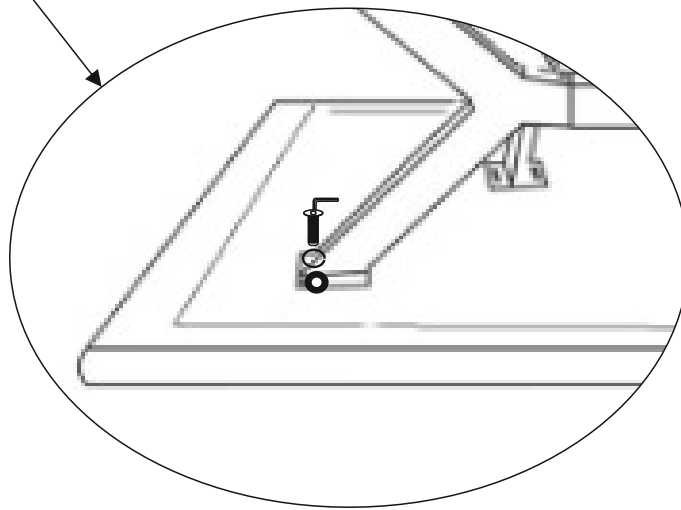
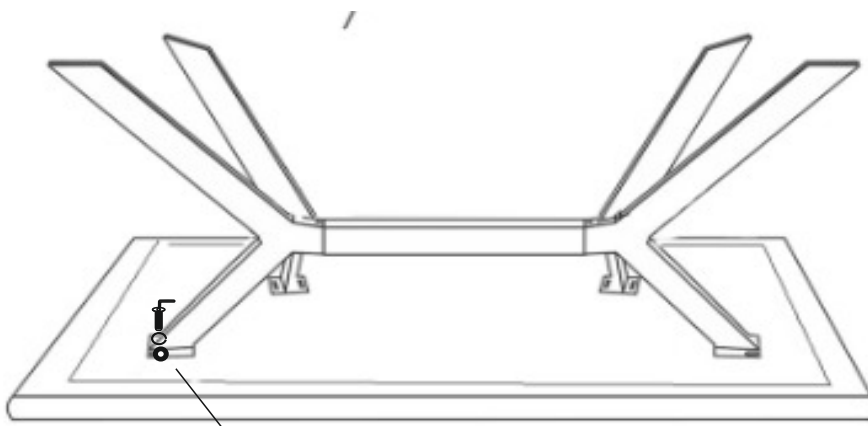


STEP- 3



STEP- 4

Tip for leveling of product:
When the product rests on an uneven floor surface
it will appear to be unbalanced. To aid in leveling, try
adjusting the levelers on the bottom of each foot.



STEP- 5



FINAL