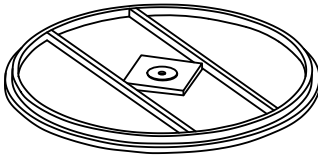



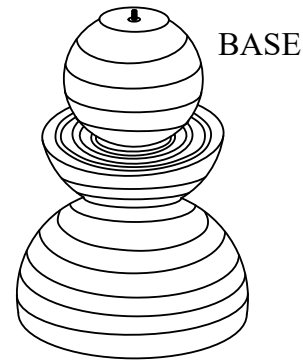
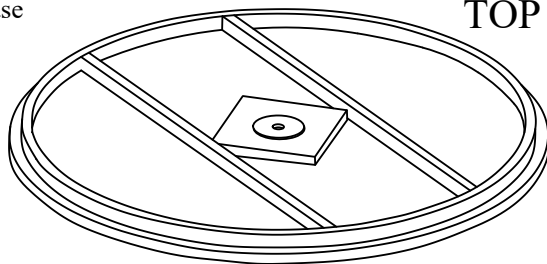
Thank you for purchasing this quality product. Be Sure to check all packing material carefully for small parts that may have come loose inside the carton during shipment .

PARTS LIST:

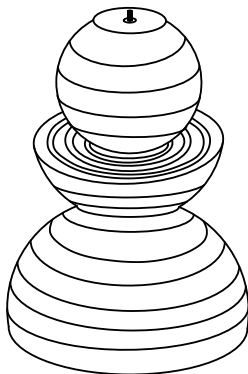
NO.	DESCRIPTION	SKETCH	QTY.
A.	TOP		01
B.	BASE		01

Parts:

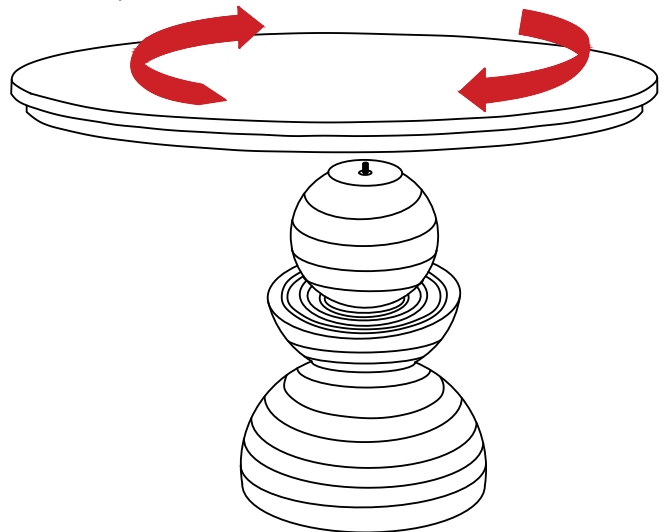
Table contains the following part:
Top & Base



- ①. Open the base as place on upright position as shown. Make sure base is firm. (Levelers can be adjusted)



- ②. Match the screw of the base with top. Screw the top in the clockwise direction as shown.



- ③. Ensure the top is securely attached to the base. (Levelers can be adjusted if required)

