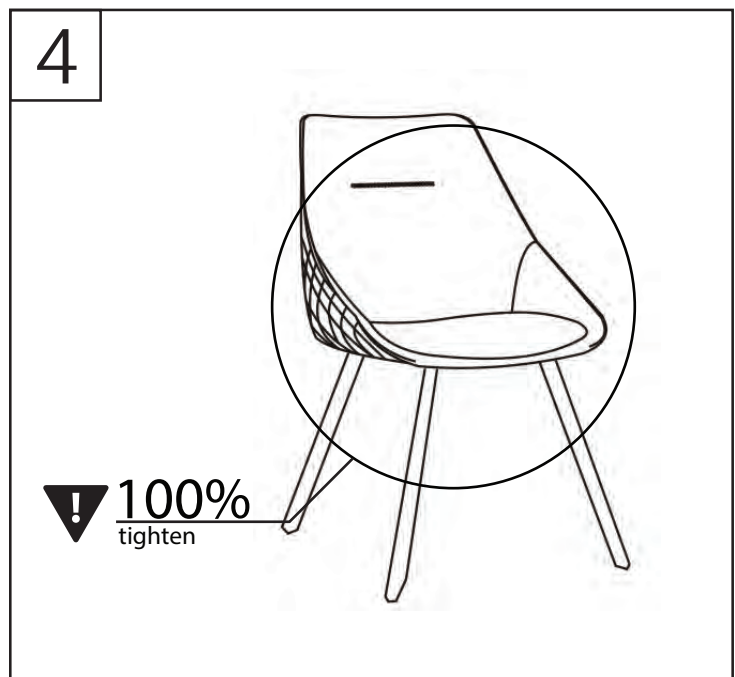
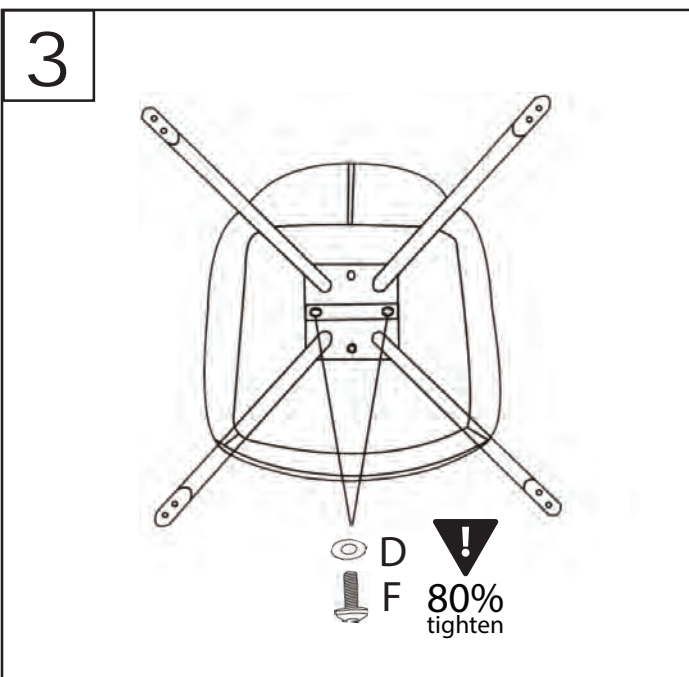
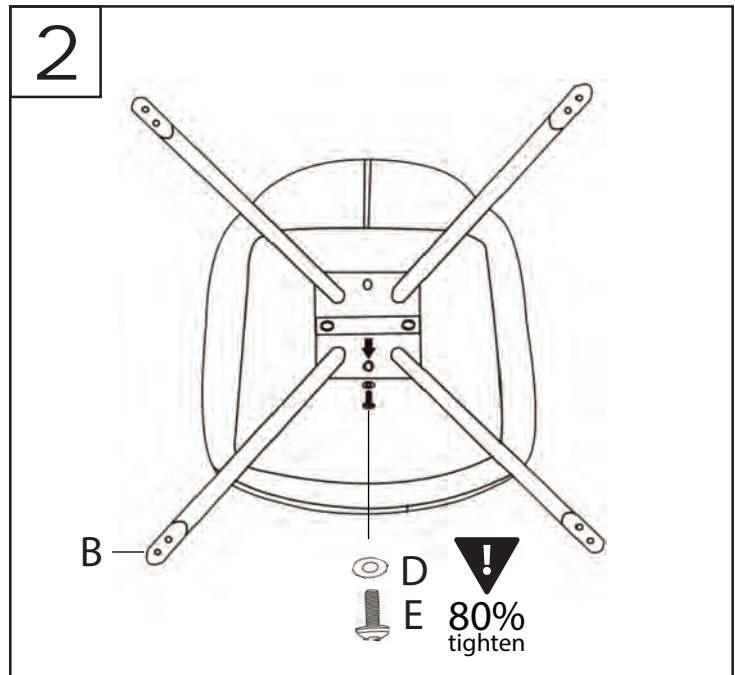
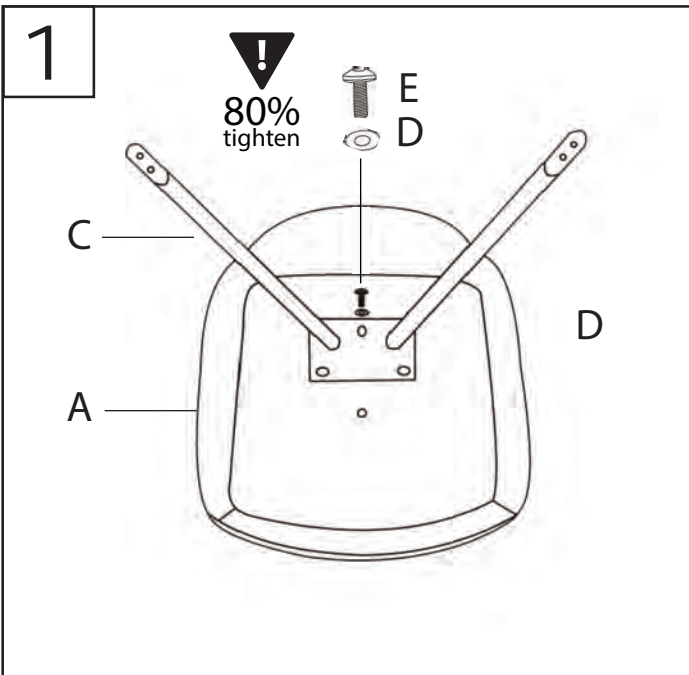
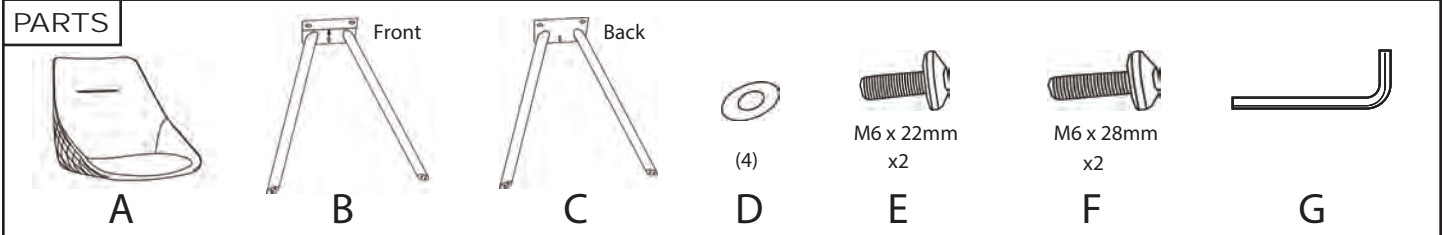


Part # CH-MAR XX

18-0104



Do not over tighten.
 Do not use power tools to assemble.