

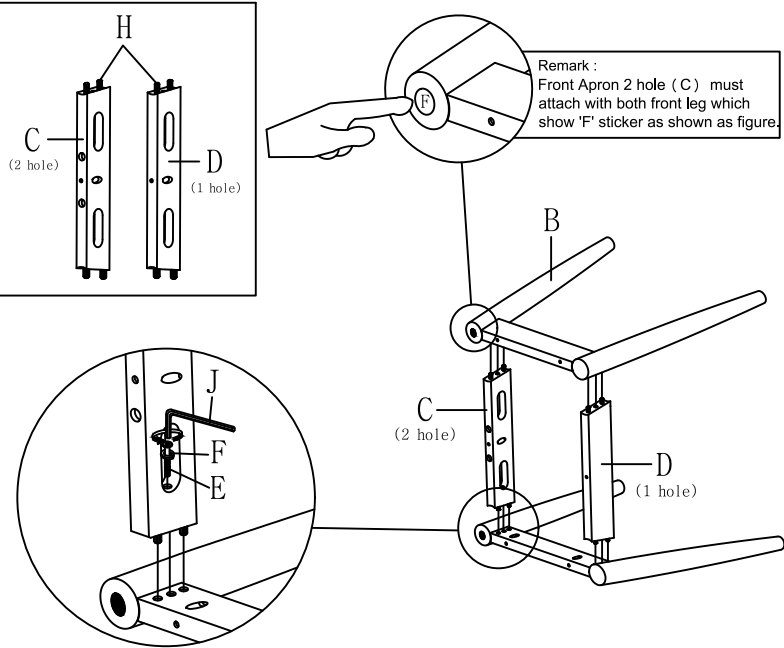
ASSEMBLY INSTRUCTIONS

ITEM NO : D818-61

DINING CHAIR 2/CTN

Thank you for purchasing this quality product. Be sure to check all packing material carefully for small parts that may have come loose inside the carton during shipment.

Step 1: Place Chair Leg (L & R) B ,Apron Front C and Apron Back D on a carpeted surface. Insert (I) into Apron Front C and Apron Back D as shown as picture. Attach Chair Leg (L & R) B with Apron Front C and Apron Back D by insert (L,G & F).



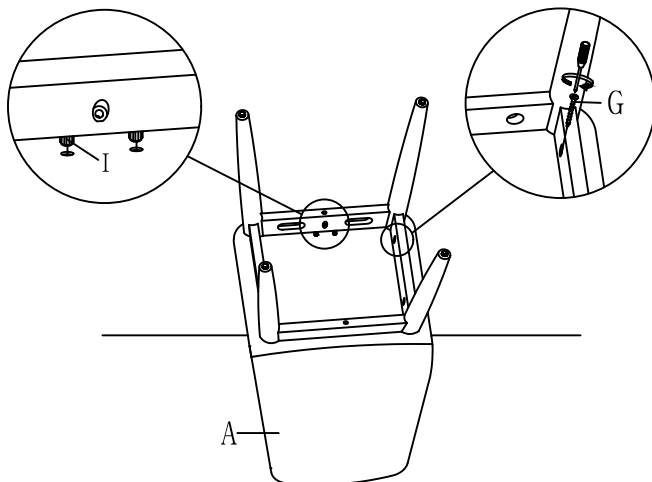
PARTS LIST :

NO.	Description	Sketch	Quantity
A	L SHAPE CUSHION		1pc
B	CHAIR LEG (L & R)		2pcs
C	APRON FRONT (have 2 hole)		1pc
D	APRON BACK (have 1 hole)		1pc

HARDWARE LIST :

NO.	Description	Sketch	Quantity
E	JCBC SCREW M6 x 50MM		4pcs
F	SPRING WASHER 1/4"		4pcs
G	PAN HEAD WOOD SCREW M5 x 32MM		6pcs
H	WOOD DOWEL DIA 8 x 35MM		8pcs
I	WOOD DOWEL DIA 8 x 25MM		2pcs
J	M4 ALLEN KEY (LONG)		1pc

Step 2: Attach Chair Leg B with L Shape Cushion A by insert I. Then, screw up the Chair Leg B with L Shape Cushion A by insert (G).



Step 3: Finally, Assembly Completed!

