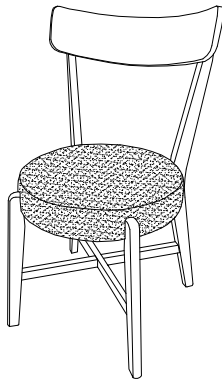


# ASSEMBLY INSTRUCTION

Item No: D820-61C / D820-61F


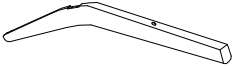



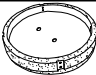
Description: DINING CHAIR











## IMPORTANT NOTE:

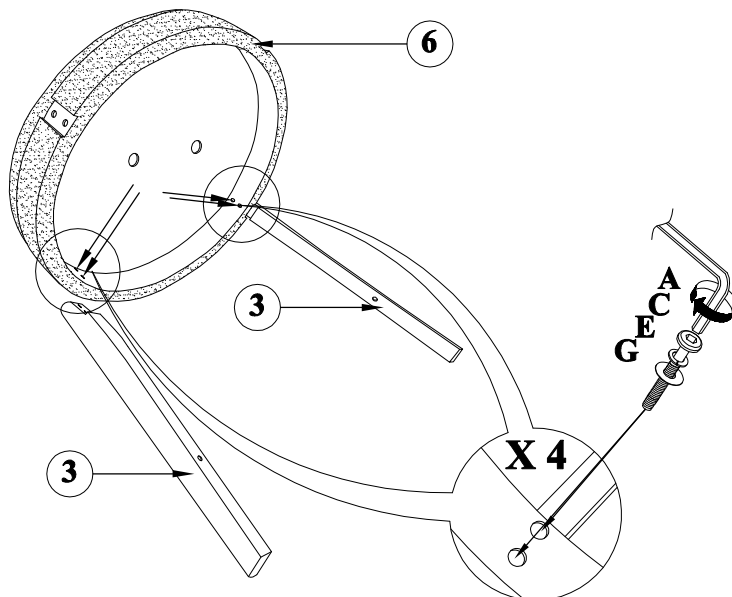
- Place all wooden parts on a clean and smooth surface such as a rug or carpet to avoid the parts from being scratched.
- Check to be sure that you have all parts and hardware.
- Remove all wrapping materials, including staples & packing straps before you start to assemble.
- Do not tighten all screws/bolts until all completely assembled.
- Keep all hardware parts out of reach of children.

*Each chair*

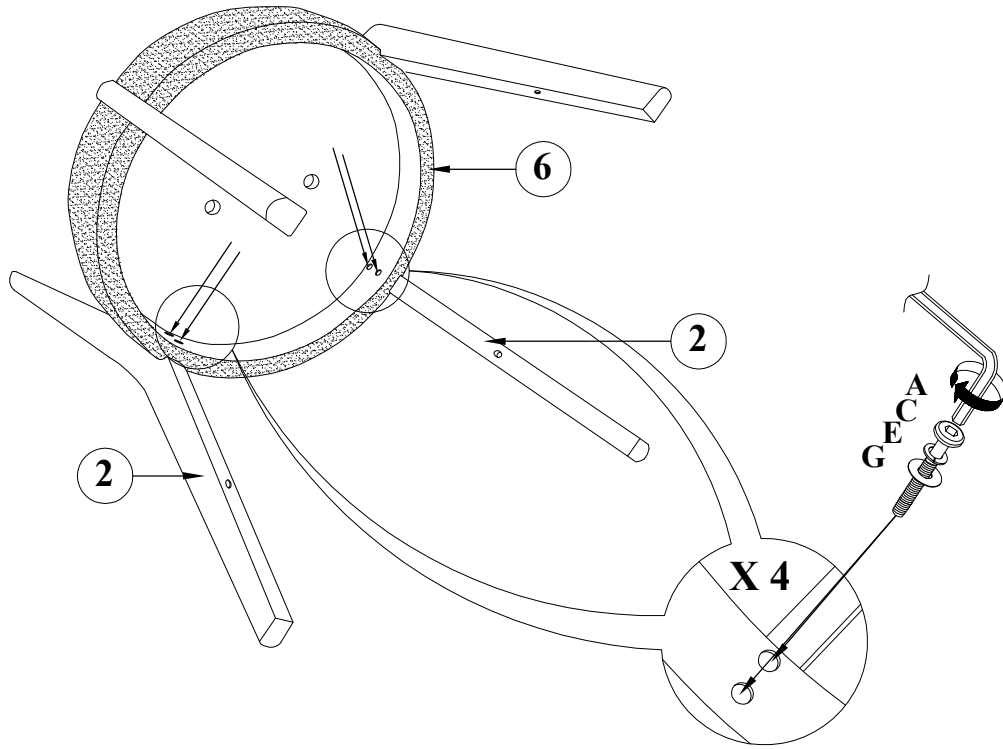
NO.	PARTS LIST	
	DESCRIPTION	QTY.
1	CHAIR CAP RAIL 	1 PC
2	BACK LEG 	2 PCS
3	FRONT LEG 	2 PCS
4	LOWER PANEL (UPPER) 	1 PC
5	LOWER PANEL (LOWER) 	1 PC
6	CUSHION SEAT 	1 PC

HARDWARE LIST		
NO.	DESCRIPTION	QTY.
A	ALLEN KEY M4 X 110MM 	1 PC
B	JCBC BOLT M6 X 50MM 	4 PCS
C	JCBC BOLT M6 X 40MM 	8 PCS
D	JCBC BOLT M6 X 30MM 	4 PCS
E	SPRING WASHER 1/4" 	16 PCS
F	FLAT WASHER M6 X 13MM 	8 PCS
G	FLAT WASHER 1/4" 	8 PCS
H	WOOD BUTTON Ø14.5 X 9MM 	4 PCS

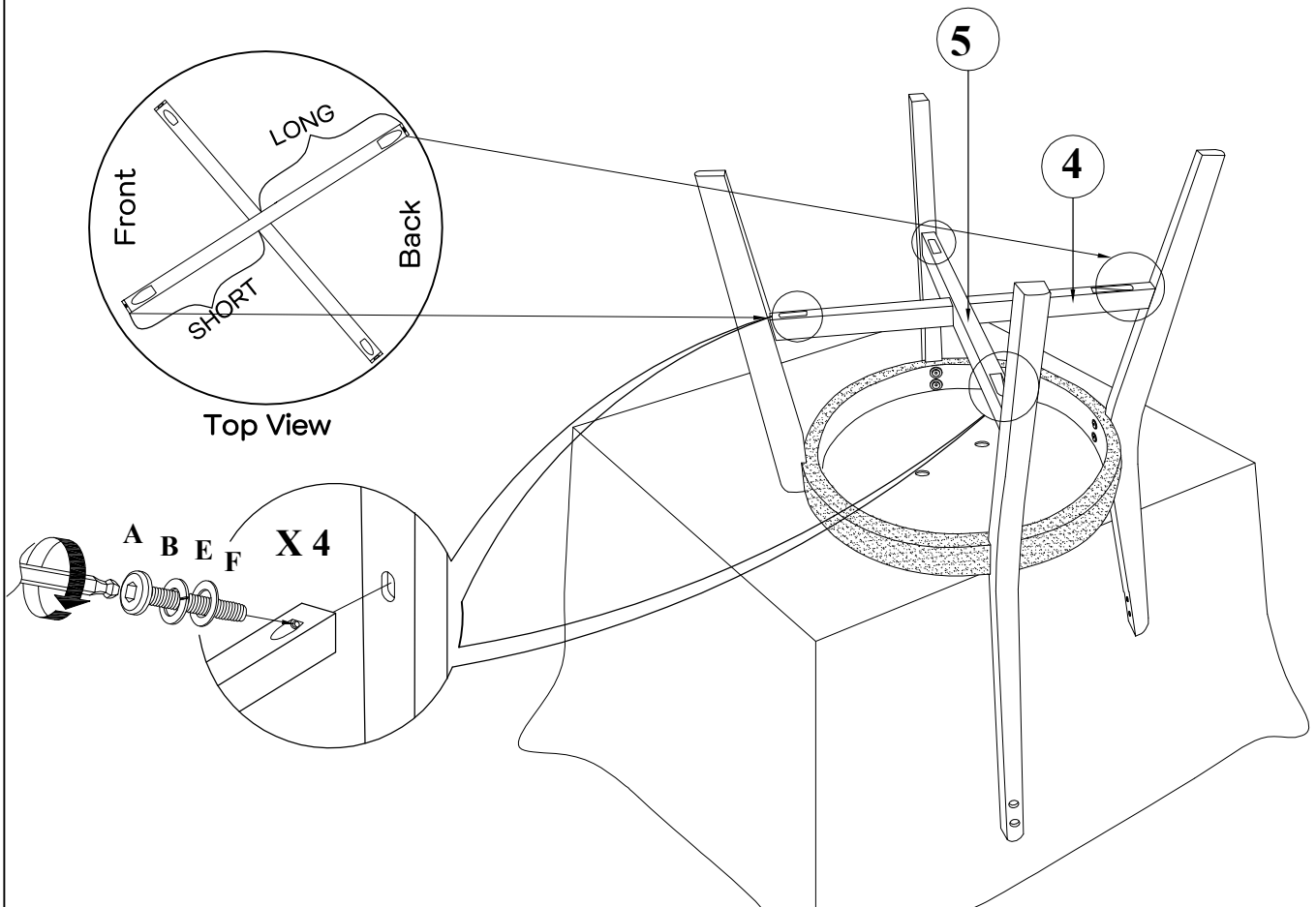
## STEP 1



## STEP 2

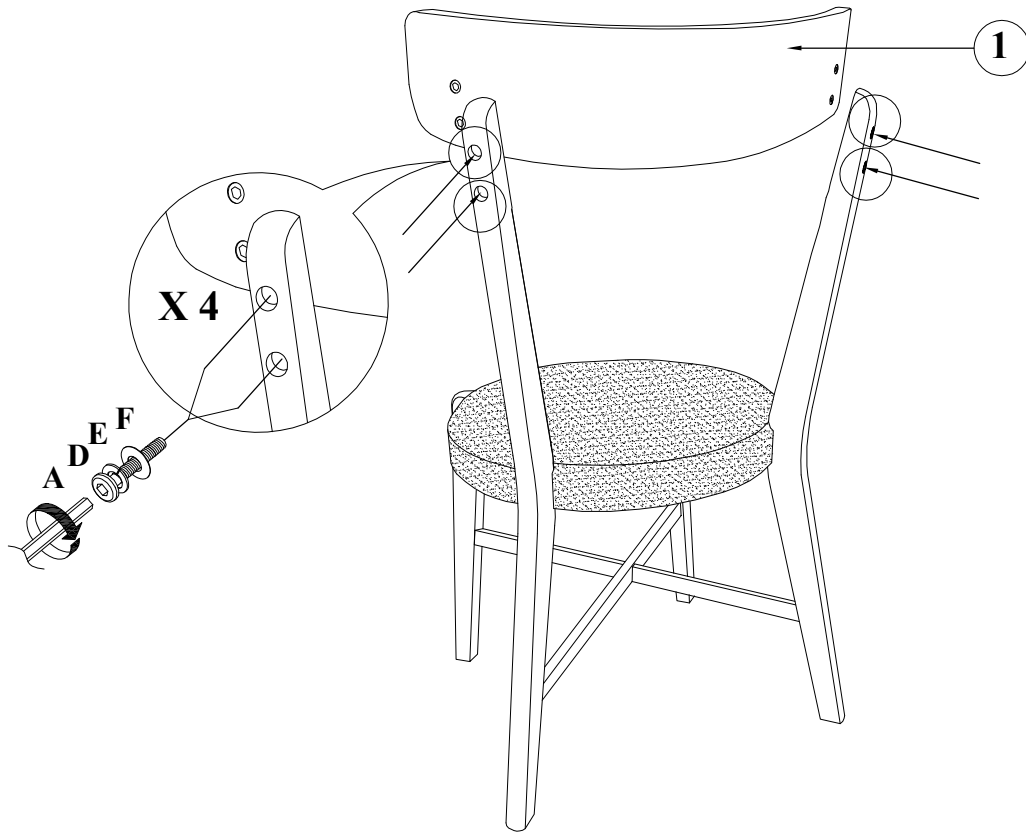


## STEP 3

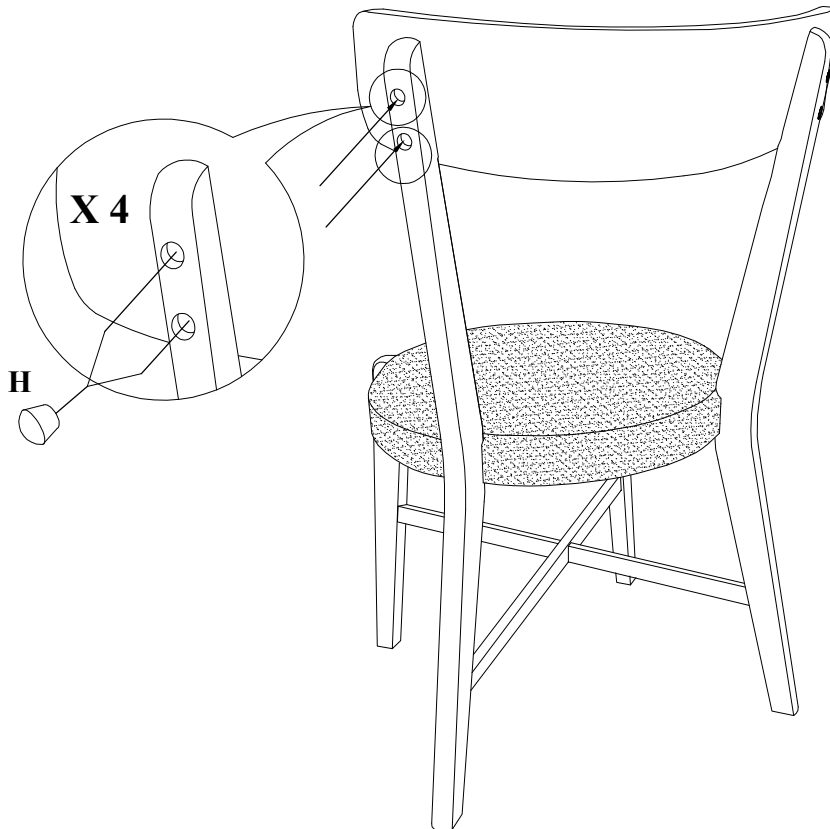


## STEP 4

Attention! Please tighten all the screws.



## STEP 5



**STEP 6**

