





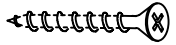


# ASSEMBLY INSTRUCTIONS

## MODEL : CS001C DINING CHAIR

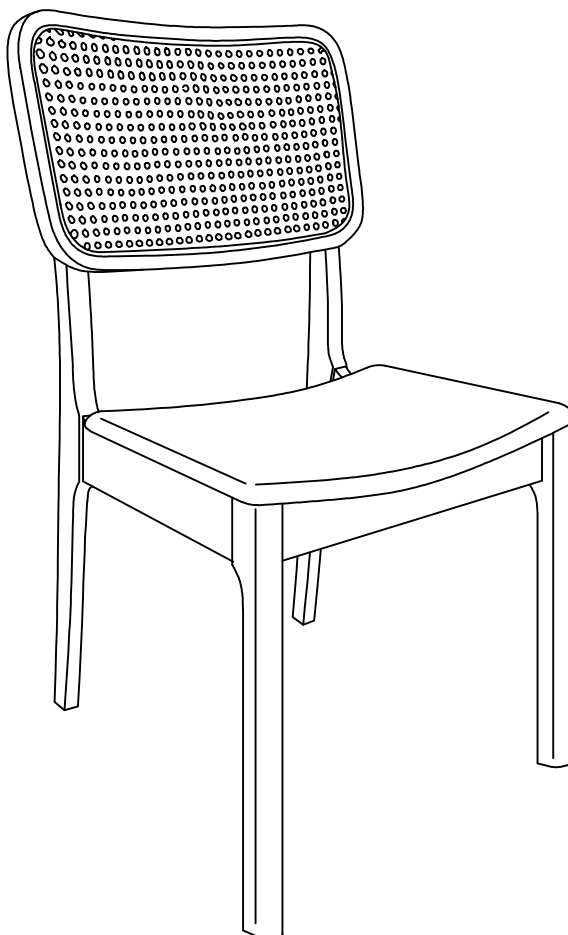
Read this instruction carefully. See hardware and furniture part list for guidance. Be sure all part is complete, before you assemble. Place all wooden furniture part on a clean and flat soft surface to prevent from being scratched. Follow the figure to start assembling.

### CAUTIONS :

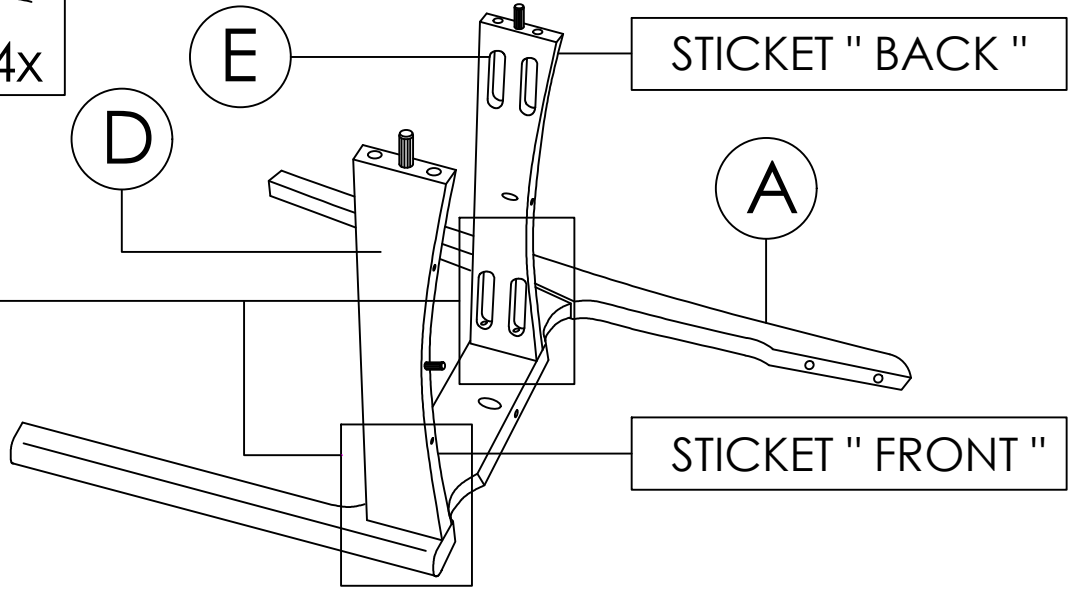
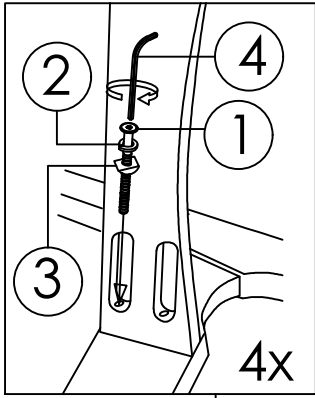
1. Do not FULLY-TIGHTEN the screws until all is assembled.
2. Do not OVER-TIGHTEN the screws to avoid causing damages to the thread.
3. Keep all hardware part out of reach of children.

HARDWARE LIST		
ITEM	DESCRIPTION	QTY
1	JCBC SCREW M6 x 45MM 	8 PCS
2	SPRING WASHER 1/4" 	12 PCS
3	NYLON WASHER - 15 x 17.5 x 6MM 	8 PCS
4	ALLEN KEY M4 ( LONG ) 	1 PC
5	CSK SCREW M4 x 32MM 	5 PCS
6	JCBC SCREW M6 x 30MM 	4 PCS
7	WOOD BUTTON Ø14.5 x 9MM 	4 PCS

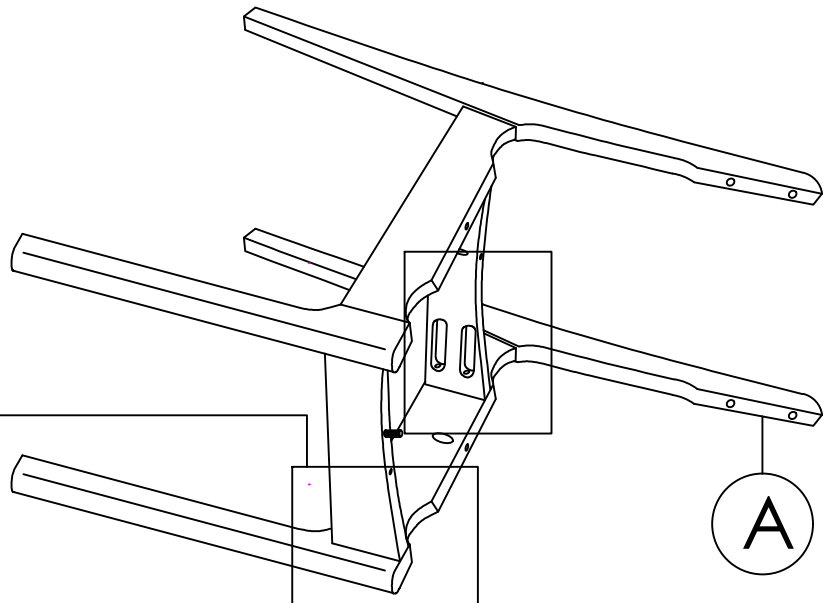
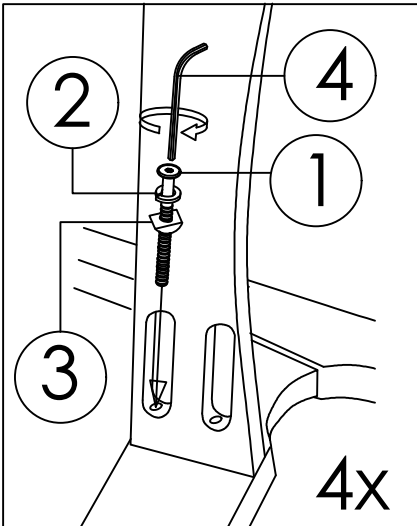
PART LIST		
ITEM	DESCRIPTION	QTY
A	SIDE LEG FRAME - L & R	2 PCS
B	CAP	1 PC
C	CUSHION SEAT	1 PC
D	FRONT APRON	1 PC
E	CENTER APRON	1 PC



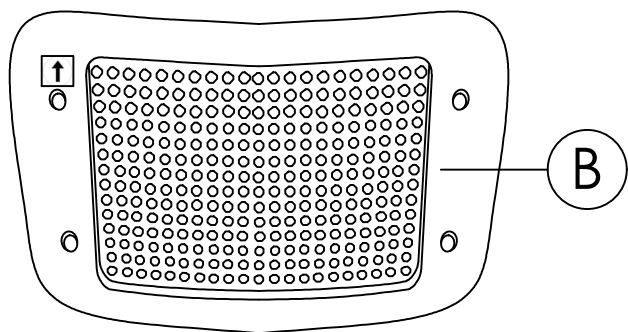
STEP 1



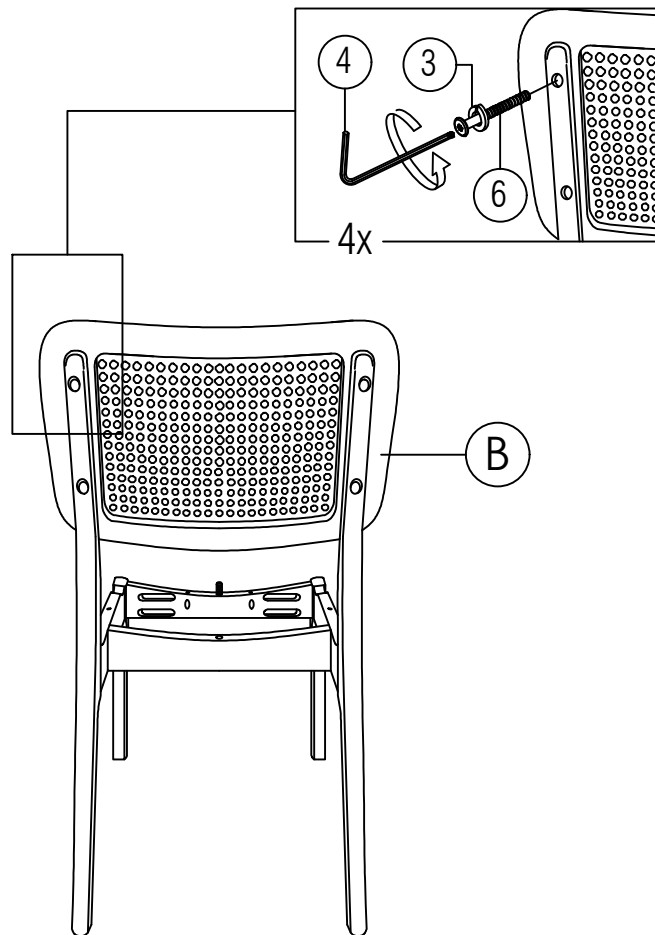
STEP 2



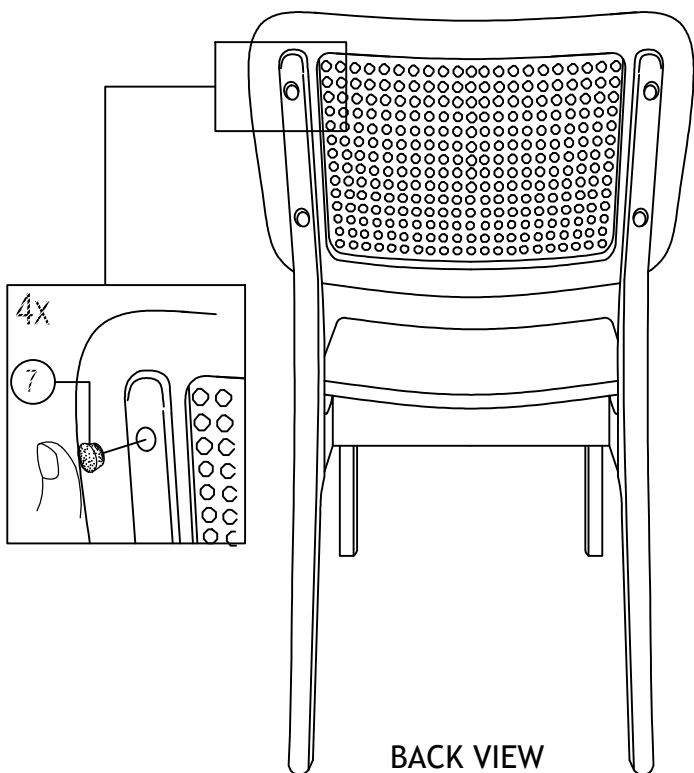
STEP 3



STEP 4



STEP 5



STEP 6

