

Thank you for purchasing this quality product. It has been engineered for easy assembly yet constructed for durability. Be sure to check all packing material carefully for small parts, which may have come loose inside the carton during shipment. Identify and count all parts and compare with the part lists below.

Please be sure to read the notes section at the bottom of the page, and follow the instruction while assembling. Thank you

ASSEMBLY INSTRUCTION

DINING BENCH

Model : D 891-69 (CB-2019-RTA)

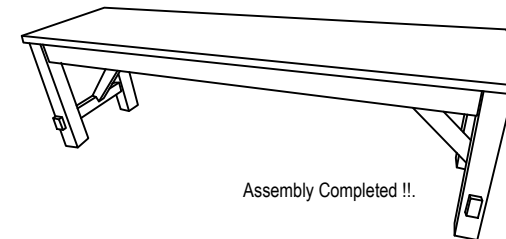
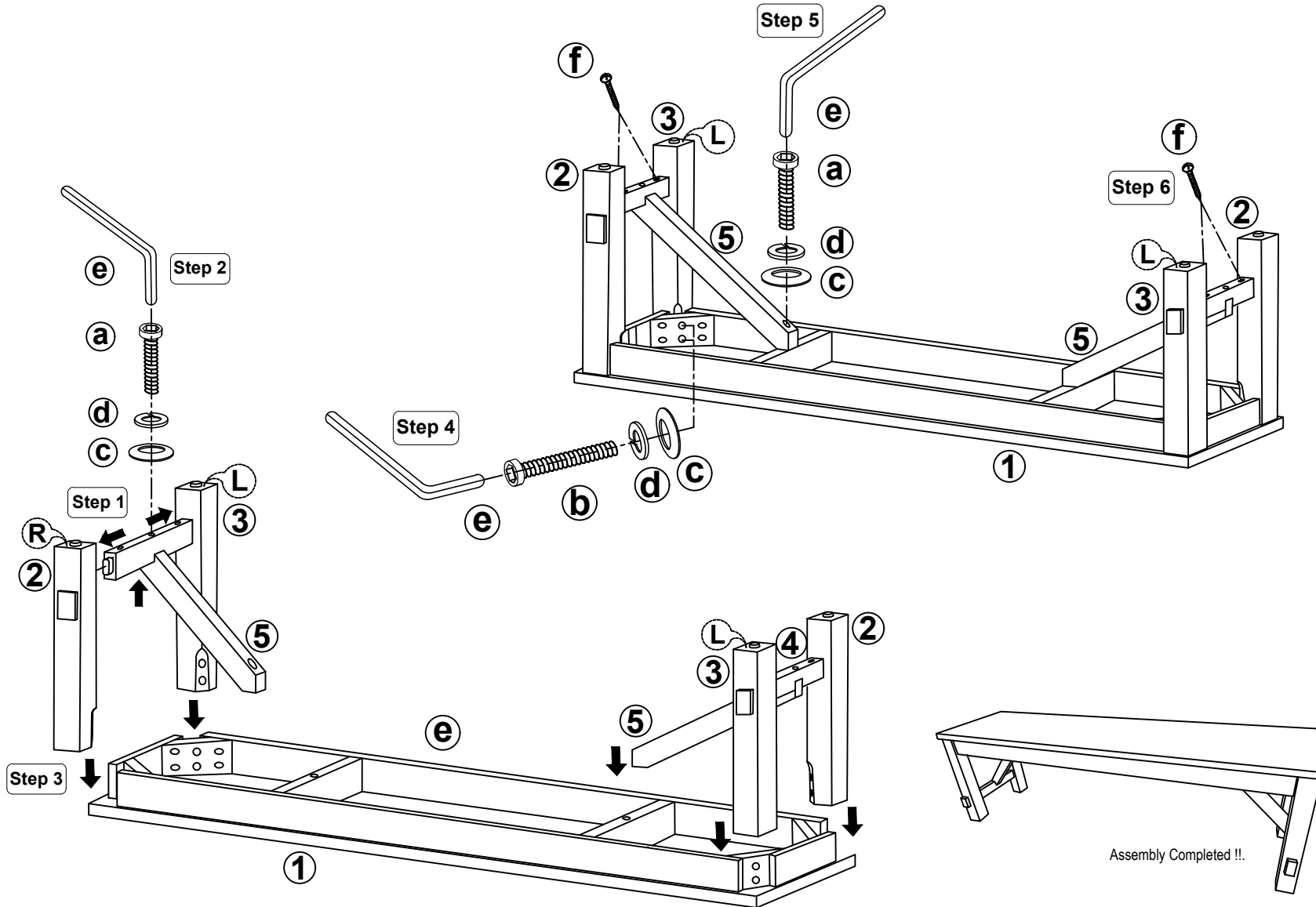
Size : 60" x 16" x 18" H

List of Part For 1 Set

Code	Figure	Part	Qty.
①		Seat Frame	1
②		Bench Leg (R)	2
③		Bench Leg (L)	2
④		Side Stretcher	2
⑤		Cross Bar	2

List of hardware

Code	Figure	Part	Qty.
a		JCBC Bolt M6 x 45mm	4
b		JCBC Bolt M6 x 60mm	8
c		Flat Washer 1/4" x 16mm	12
d		Spring Washer 1/4"	12
e		Allen Key M4	1
f		PHRS Screw #8 x 1 1/2"	4



⚠ Important Notes

- * Keep all hardware parts out of reach of children.
- * Nut holding legs on the table can work loose. Check every 6-8 weeks that nuts are tight.
- * Don't attempt to repair or modify parts that are broken or defective. Please contact the store immediately.

MADE IN MALAYSIA