



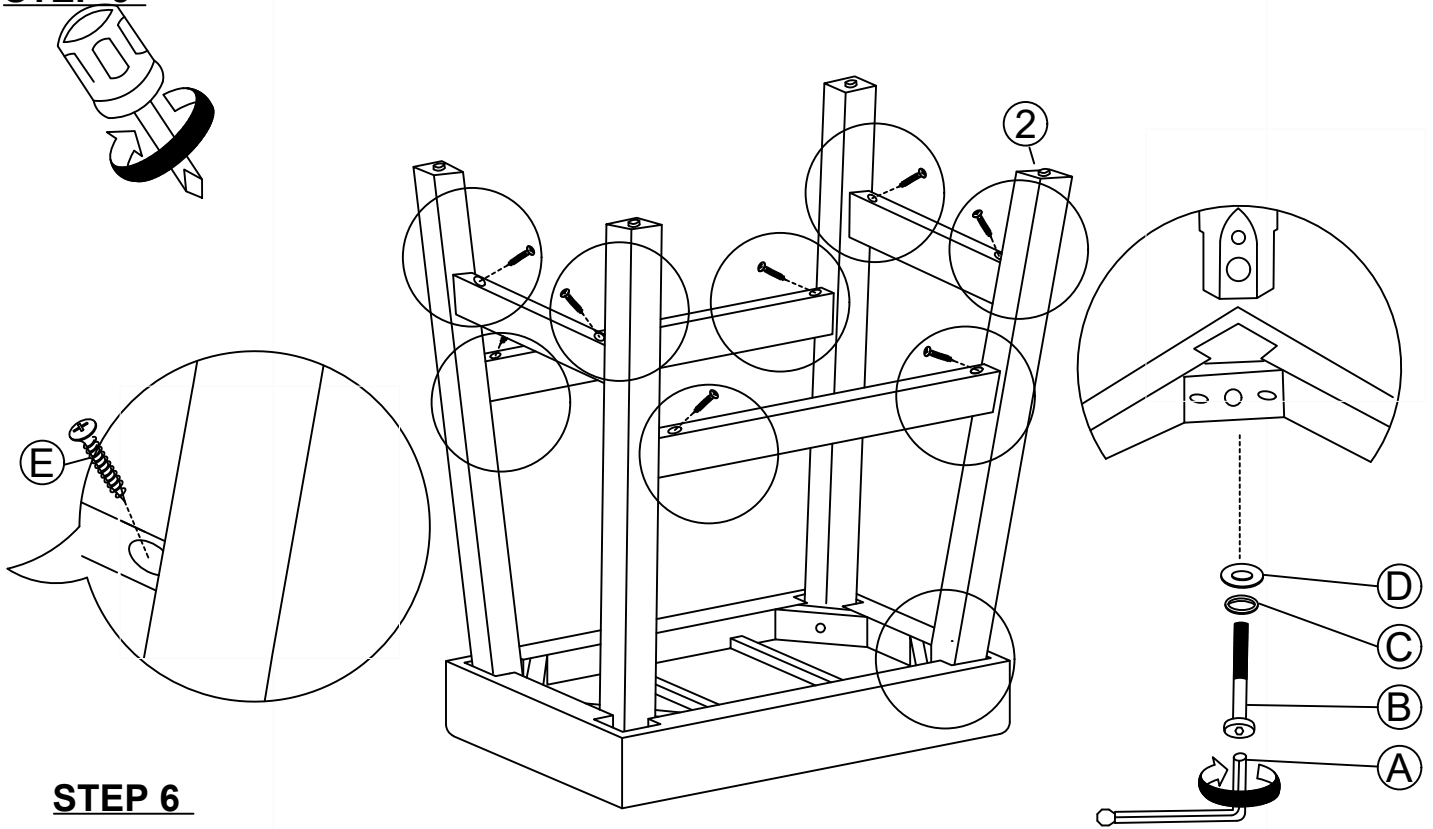




# ASSEMBLY INSTRUCTIONS

ITEM NO.: D858-64  
UPH COUNTER STOOL

## STEP 5



## STEP 6

