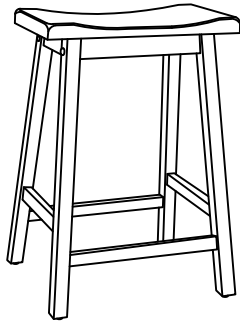


Progressive® ASSEMBLY INSTRUCTION

furniture Item No: D866-64D / D866-64W

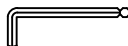




Description: COUNTER STOOL



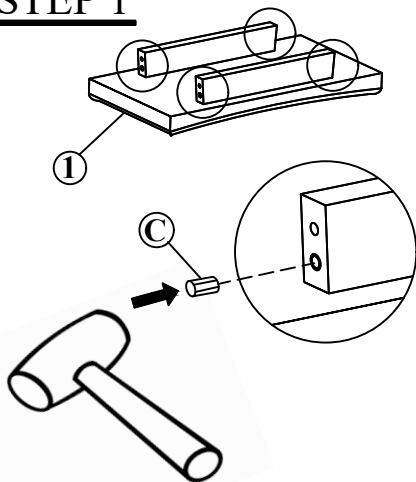
IMPORTANT NOTE :

- Place all wooden parts on a clean and smooth surface such as a rug or carpet to avoid the parts from being scratched.
- Check to be sure that you have all parts and hardware.
- Remove all wrapping materials, including staples & packing straps before you start to assemble.
- Do not tighten all screws/bolts until all completely assembled.
- Keep all hardware parts out of reach of children.
- Tighten screws periodically! With the use of this product bolts and screws may become loose over time!
- Do not attempt to modify parts!

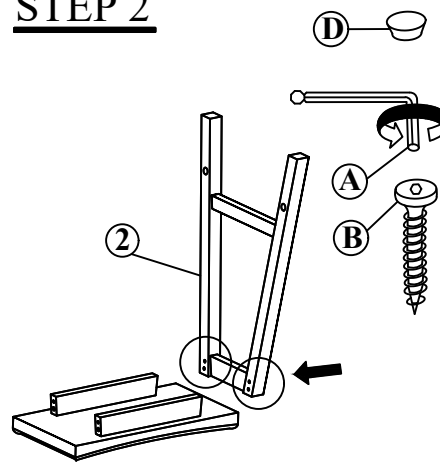
PARTS LIST		
NO.	COMPONENT	QTY.
1	WOODEN SEAT	1 PCS
2	LEG FRAME	2 PCS
3	STRETCHER	2 PCS

HARDWARE LIST		
NO.	DESCRIPTION	QTY.
A	M4 BALL END ALLEN KEY 	1 PCS
B	M6 x 50MM JCBC WOOD BOLT 	4 PCS
C	M8 x 20MM WOOD DOWEL 	4 PCS
D	14.5MM WOOD PLUG 	4 PCS
E	M4 x 32MM PAN HEAD SCREW 	4 PCS

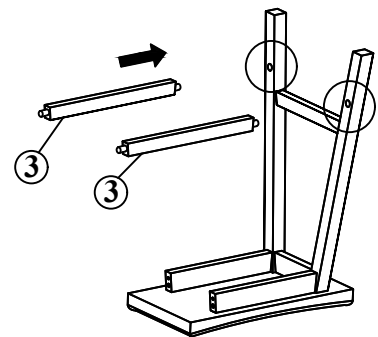
STEP 1



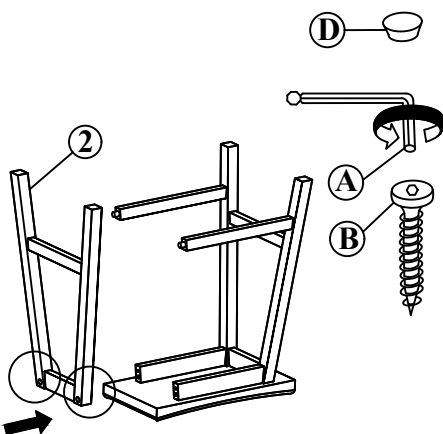
STEP 2



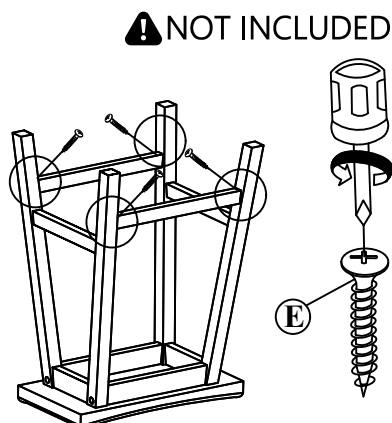
STEP 3



STEP 4



STEP 5



STEP 6

