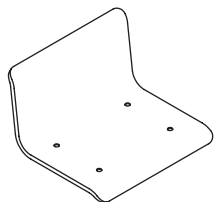
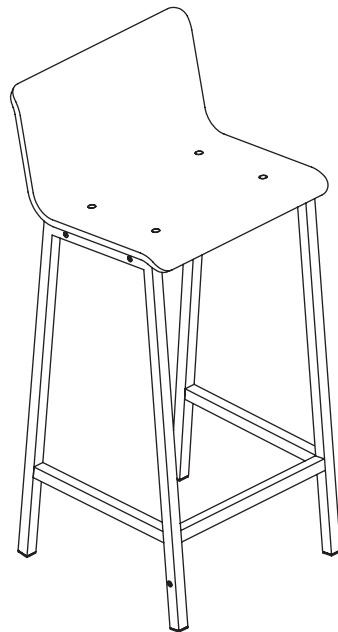


FOX HILL

TRADING CO

Assembly Instructions
ACR-C19-IL
ACR-C19-IL-GOLD



A (1 pc)



B (4 pcs)



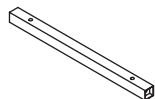
C (4 pcs)



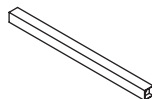
D (4 pcs)



E (4 pcs)



F (2 pcs)



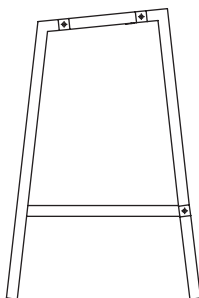
G (1 pc)



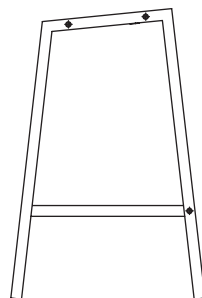
H (6 pcs)



I (4 pcs)



J (1 pc)

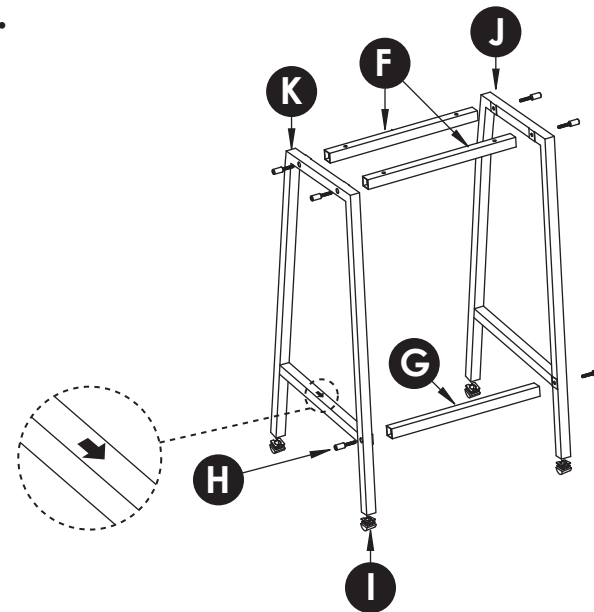


K (1 pc)

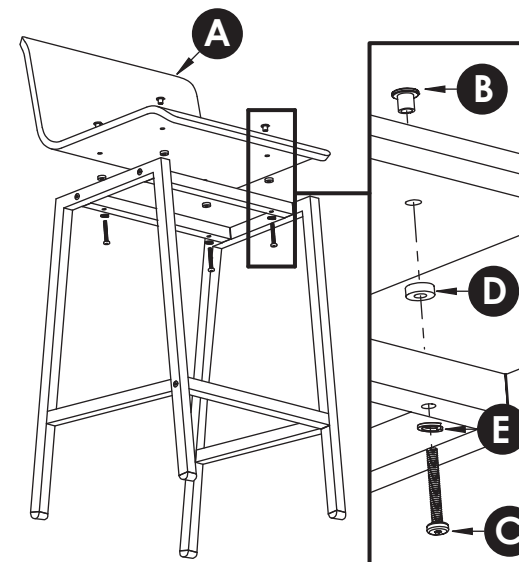


L (1 pc)

STEP 1.



STEP 2.



PLEASE NOTE

- Check all components and hardware are included before assembling.
- Hand tighten screws only and when screws are in place, tighten completely.