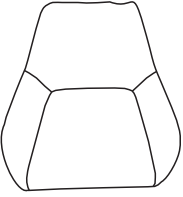
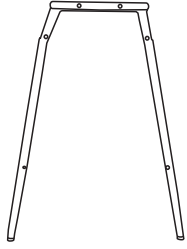
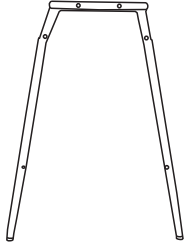
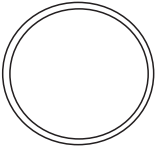






ITEM NAME/NOM D'ITEM: VILA COUNTER STOOL

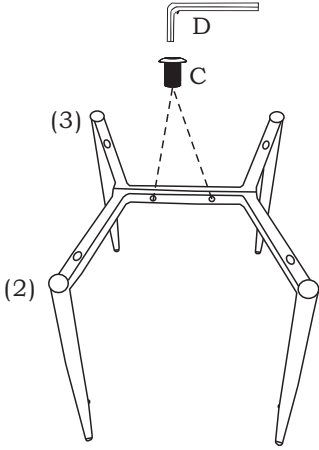
ITEM#/NO.ITEM: 109952/110074/110077

## PARTS LIST/LISTE DES PIÈCES

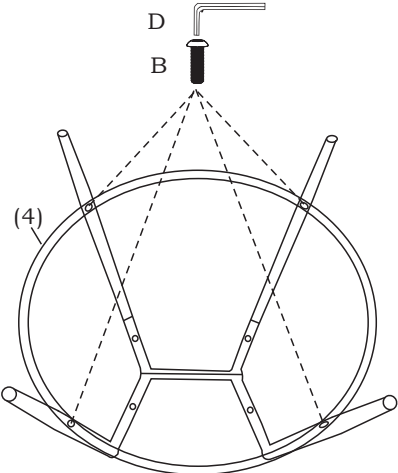
(1)	(2)	(3)	(4)	(5)
				<p>A  M6x40mm X4</p> <p>B  M6x30mm X4</p> <p>C  M8x14mm X2</p> <p>D  M6 X1</p>
X1	X1	X1	X1	

## ASSEMBLY INSTRUCTIONS/ INSTRUCTIONS D'ASSEMBLAGE

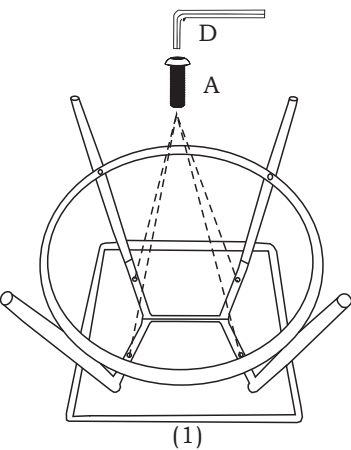
**I**



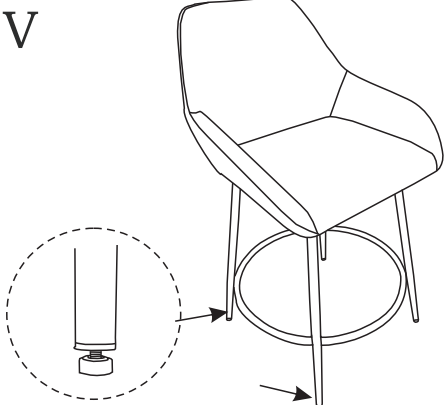
**II**



**III**



**IV**



Please use the attached adjustable footglides to level the chair on uneven surface.

For missing parts or damaged parts, please call/

Pour pièce manquante ou endommagée, veuillez appeler:

USA, Canada and Mexico: (866)-798-6663