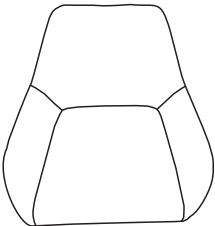
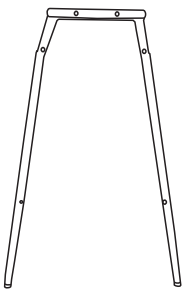
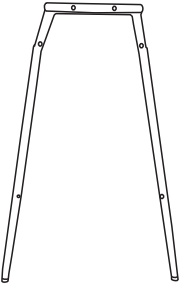
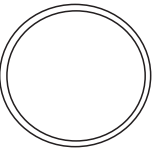






ZUO[®]

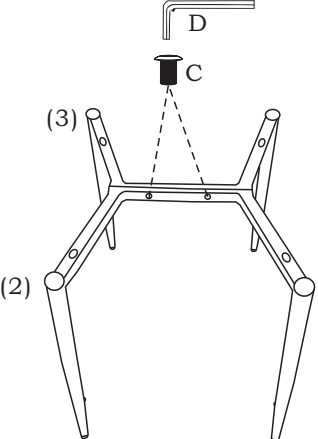
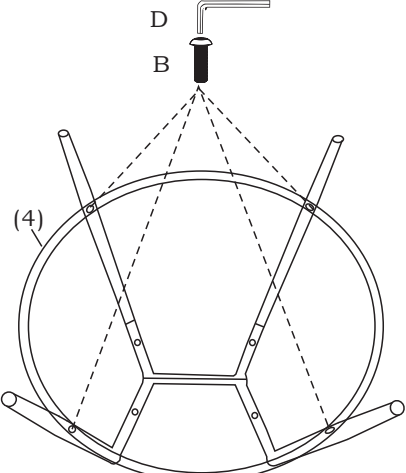
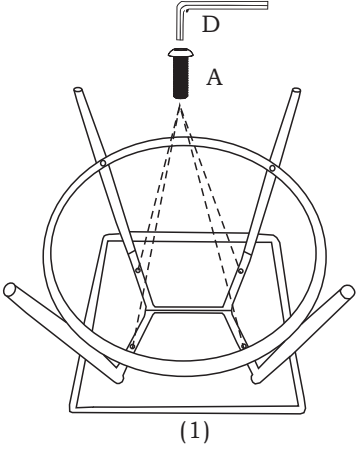
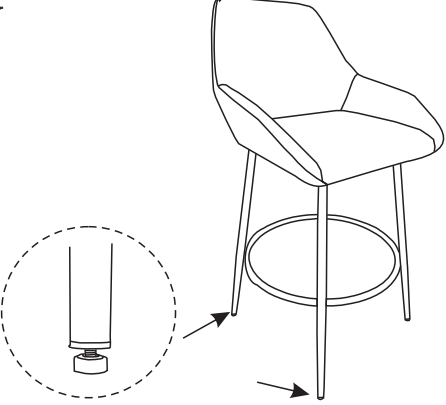
ITEM NAME/NOM D'ITEM: VILA BARSTOOL

ITEM#/NO.ITEM: 109953/110075/110078

PARTS LIST/LISTE DES PIÈCES

(1)	(2)	(3)	(4)	(5)
				<p>A  M6x40mm X4</p> <p>B  M6x30mm X4</p> <p>C  M8x14mm X2</p> <p>D  M6 X1</p>
X1	X1	X1	X1	

ASSEMBLY INSTRUCTIONS/ INSTRUCTIONS D'ASSEMBLAGE

<p>I</p> 	<p>II</p> 
<p>III</p> 	<p>IV</p>  <p>Please use the attached adjustable footglides to level the chair on uneven surface.</p>

For missing parts or damaged parts, please call/

Pour pièce manquante ou endommagée, veuillez appeler:

USA, Canada and Mexico: (866)-798-6663

AI-V2-231024