



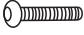
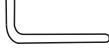
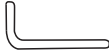
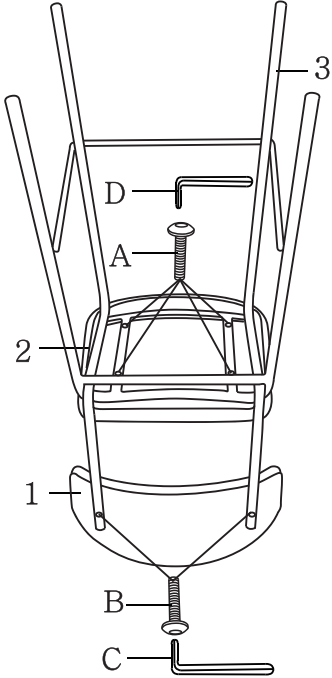
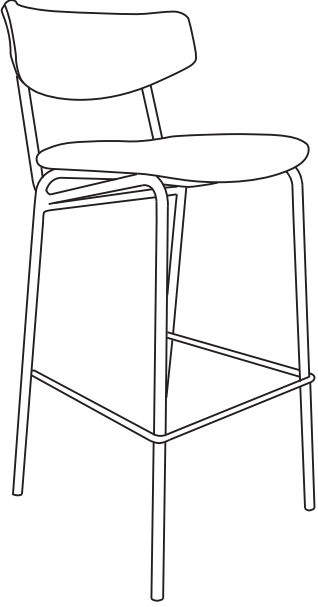


**ITEM NAME / CHARON BARSTOOL/CHARON COUNTER STOOL**  
**ITEM #/NO. ITEM: 110260/110261/110262/110263**

**PART LIST / LISTE DES PIÈCES**

(1)	(2)	(3)	(4)
 <p style="text-align: right;">x1</p>	 <p style="text-align: right;">x1</p>	 <p style="text-align: right;">x1</p>	<p>A.  M6 x 25mm x4</p> <p>B.  M6 x 30mm x2</p> <p>C.  5mm x1</p> <p>D.  6mm x1</p>

**ASSEMBLY INSTRUCTIONS / INSTRUCTIONS D'ASSEMBLAGE**

<p>I.</p> 	<p>II.</p> 
---	--

For missing parts or damaged parts, please call/  
 Pour pièce manquante ou endommagée, veuillez appeler

USA, Canada and Mexico: (866)798-6663