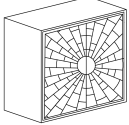






Assembly Instructions

SKU# 77254

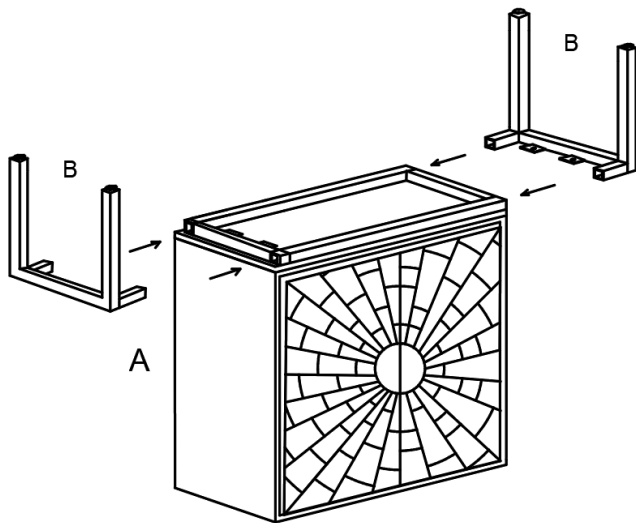
Thank you for purchasing the quality product. Be sure to check all packing material carefully for small parts that may have come loose inside the carton during shipment.

(Note: Loosely thread all screw/bolts first. Once the item is assembled then completely tighten).

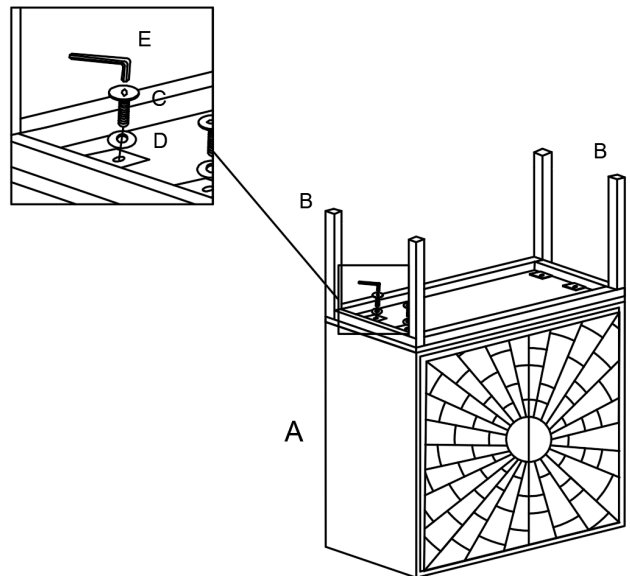
NO.	DESCRIPTION	SKETCH	QTY.	NO.	DESCRIPTION	SKETCH	QTY.
A	TOP		1	C	BOLT (0.98")		4+1
B	LEG		2	D	WASHER (0.39")		4+1
				E	ALLEN KEY (0.19")		1

STEP: - Unpacked the legs and tighten the legs with all bolts and washers.

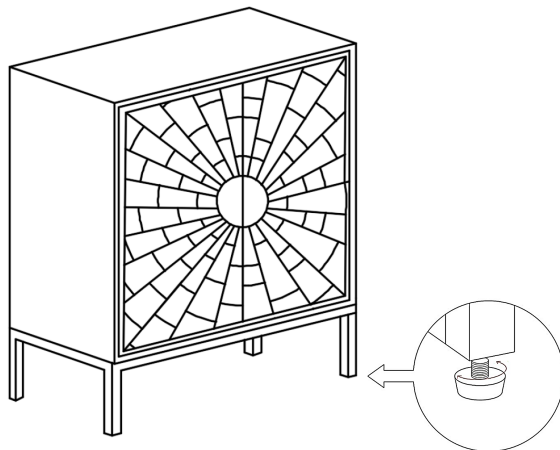
STEP-1



STEP-2



STEP-3



Tip for leveling of product:
When the product rests on an uneven floor surface it will appear to be unbalanced to aid in levelling, try adjusting the levelers located on the bottom of each foot.