

# ASSEMBLY INSTRUCTION

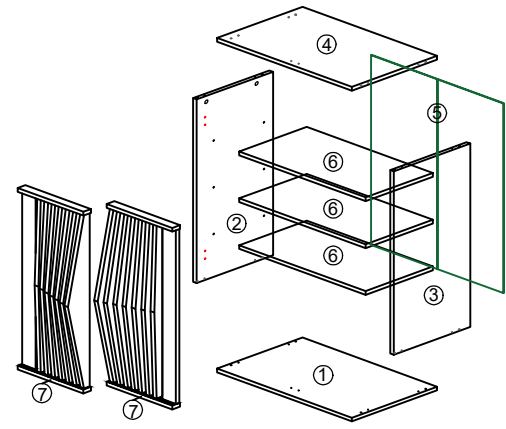
MODEL : GIZA 2312

DESC : 2 DOOR SHOES CABINET

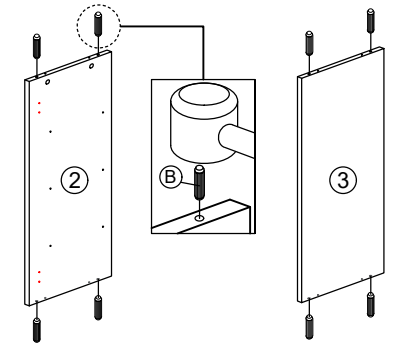
HARDWARE

<b>A</b>	<b>A5</b>	<b>B</b>	<b>C</b>	<b>D</b>	<b>E</b>	<b>F</b>	<b>G</b>	<b>H</b>	<b>L</b>
A1 MINIFIX 5654+5546 4 SETS	A5 ALLEN KEY 1	B WOOD DOWEL 8 X 25 8	C CB SCREW M4X45MM 4	D CB SCREW M3.5X16MM 32	E 2 PIN STOPPER 2	F SHELF SUPPORT 12	G NAIL 5/8 30	H HINGES 5/8 4	L 160 MM TAPER PVC Leg 4

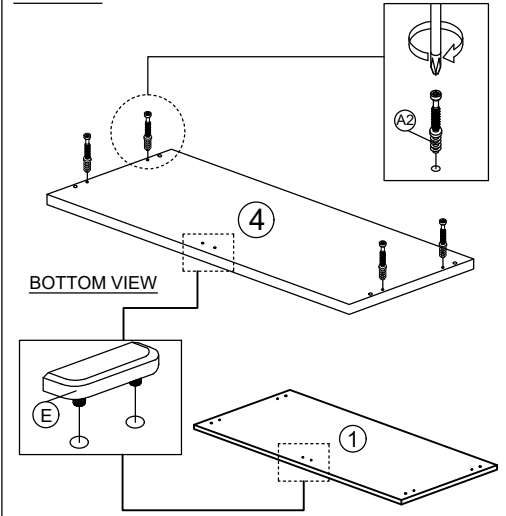
## PART LIST



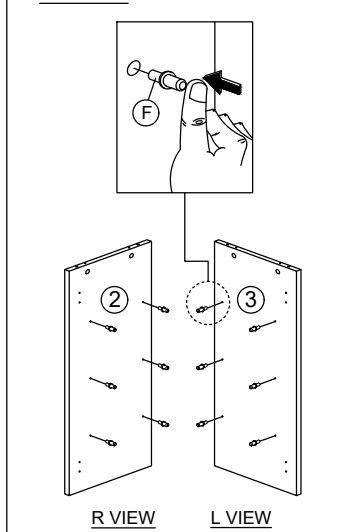
## STEP 1



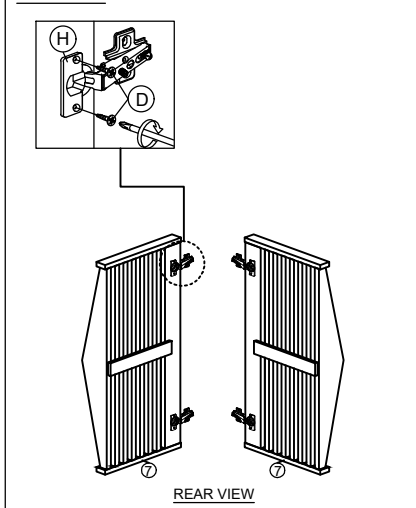
## STEP 2



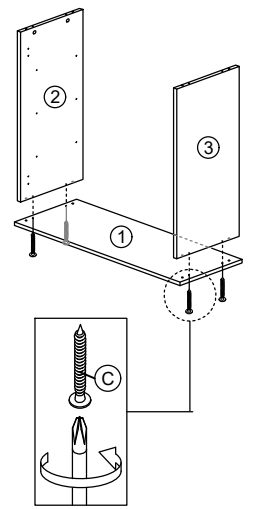
## STEP 3



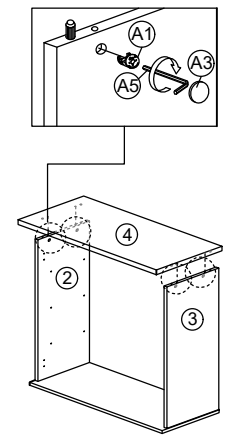
## STEP 4



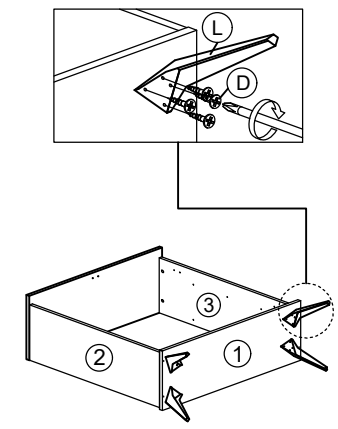
## STEP 5



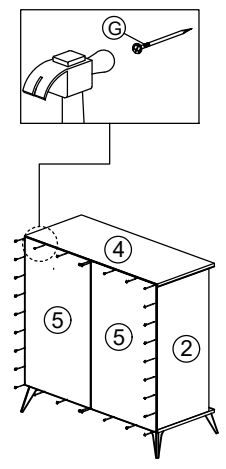
## STEP 6



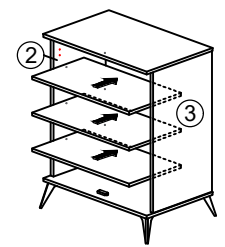
## STEP 7



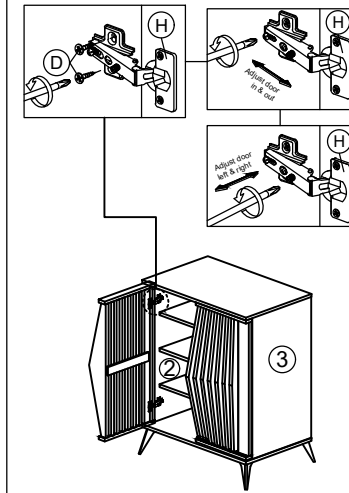
## STEP 8



## STEP 9



## STEP 10



## COMPLETED

