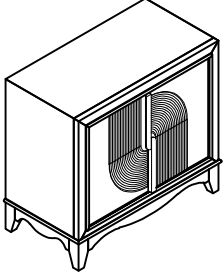
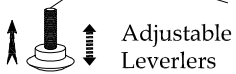
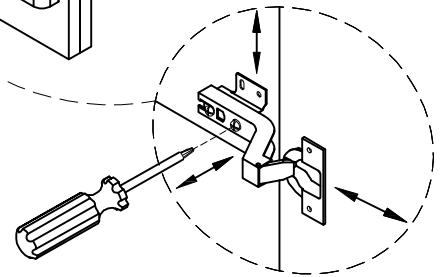
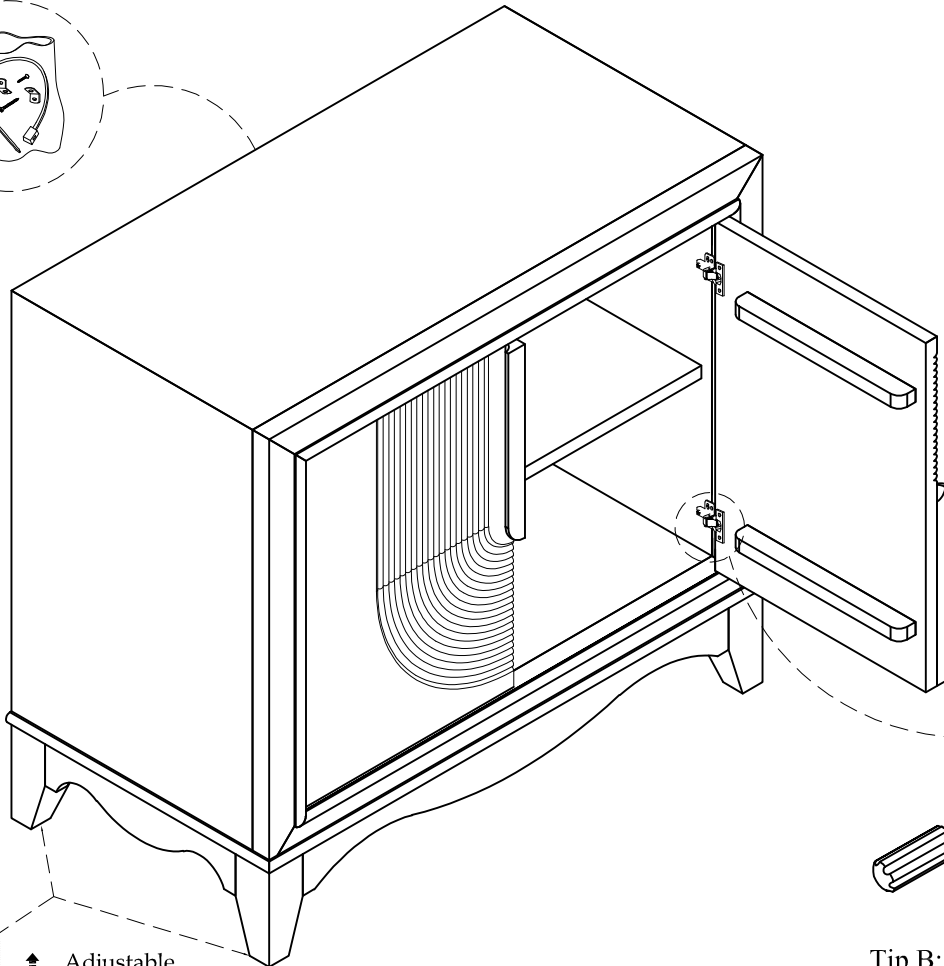
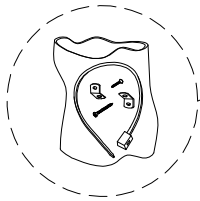


# Assembly Instructions

ITEM NO: 95448

Thank you for purchasing this quality product. Be sure to check all packing material carefully for small parts that may have come loose inside the carton during shipment. (Note: Loosely thread all screws/bolts first. Once the item is assembled then completely tighten.)

| PARTS LIST: |             |   |         | HARDWARE LIST: |        |             |      |         |
|-------------|-------------|---|---------|----------------|--------|-------------|------|---------|
| No.         | Description | Sketch  | Quality | No.            | Sketch | Description | Size | Quality |
| 1           | Cabinet     |  | 1 Pc    |                |        |             |      |         |



Tips for aligning doors:

**Tip A:**  
Sometimes the doors will not line up because of an uneven floor surface the furniture rests on. If so, try adjusting the levelers found on the bottom of each foot to aid in correcting.

**Tip B:**  
If Tip A does not fix the issue, adjust the hinges on the door. Please refer to the step-by-step figure instructions.