

ASSEMBLY INSTRUCTIONS

SKU# 97570

Before beginning

Unpack all parts and hardware to ensure you have all needed components for assembly.

Read this guide cover before beginning assembly.

Assemble this item on a soft surface such as carpet to protect finish.

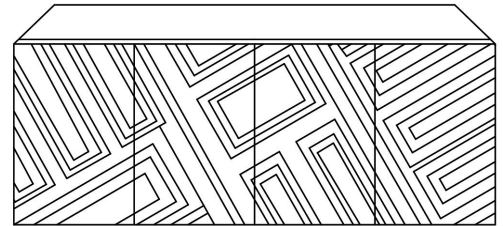
Proper assembly of this item requires 2 people & 20 minutes to assemble.

CARE INSTRUCTIONS

Wipe with a soft dry cloth. To protect finish, avoid the use of chemicals and household cleaners, Any liquid spilled on the table should be cleaned up immediately with a damp cloth.

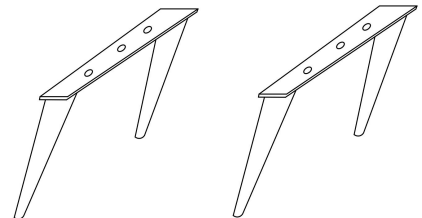
TOP

A



LEG

BX2






HOW TO ASSEMBLY

STEP-1 Place the sideboard upside down on rug.

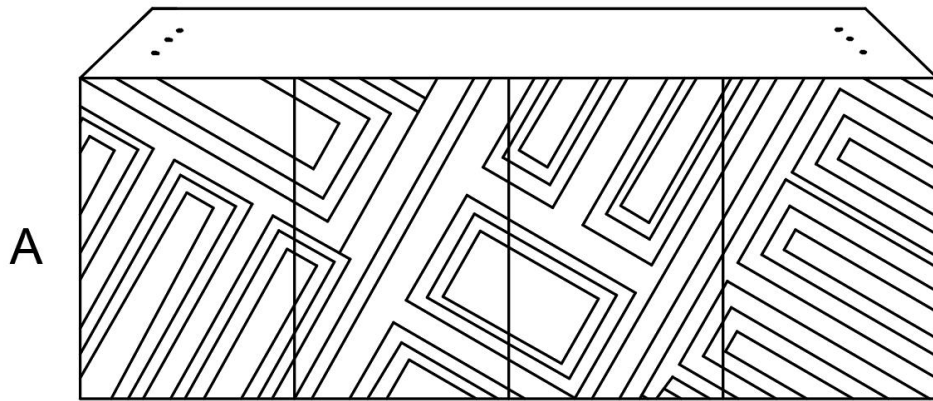
STEP -2 Insert allen bolt (C) with flat washer (D) then tighten with allen key (E).

STEP -3 Turn the sideboard upside top. Sideboard is ready to use.

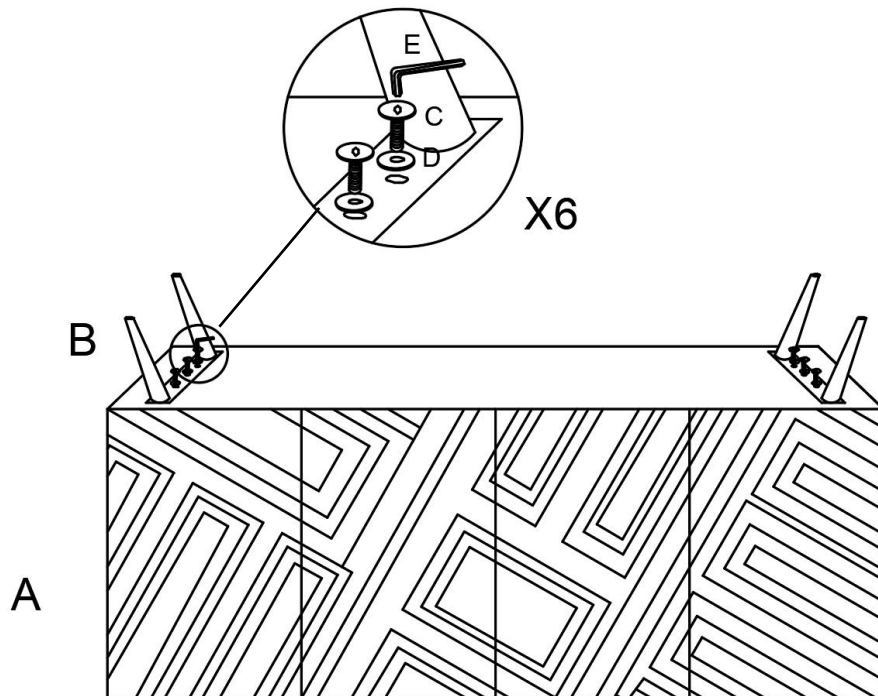
Hardware & Tool Required:-

No.	Sketch	Description	Size	Qty.	Ext.
C		Allen bolt	1"X0.31"	6	1
D		Washer	1"X0.39"	6	1
E		Allen key	0.19"	1	0

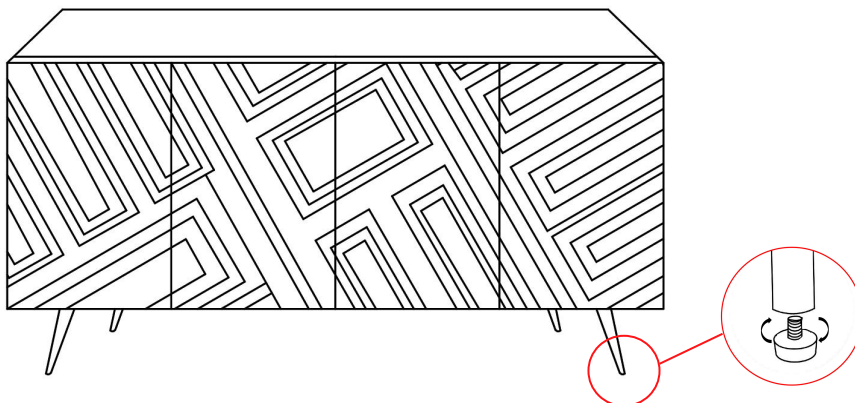
STEP -1



STEP -2



STEP -3



Tip for leveling of product:
When the product rests on an uneven floor surface it will appear to be unbalanced to aid in levelling, try adjusting the levelers located on the bottom of each foot.

FINAL PRODUCT