

ASSEMBLY INSTRUCTION

SKU# 97553

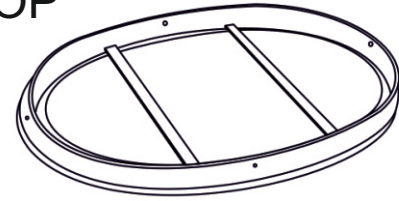
Before beginning

- Unpack all parts and hardware to ensure you have all needed components for assembly
- Read this guide cover before beginning assembly .
- Assemble this item on a soft surface such as carpet to protect finish.
- Proper assembly of this item requires 2 person & 20 minutes to assemble.

CARE INSTRUCTIONS

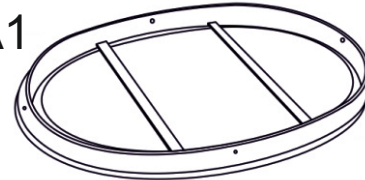
Wipe with a soft and dry cloth. To protect finish, avoid the use of chemicals and household cleaners. Any liquid in the table should be cleaned up immediately with a damp cloth.

TOP



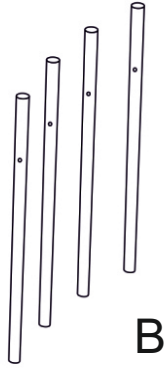
A

A1



BOTTOM

LEG



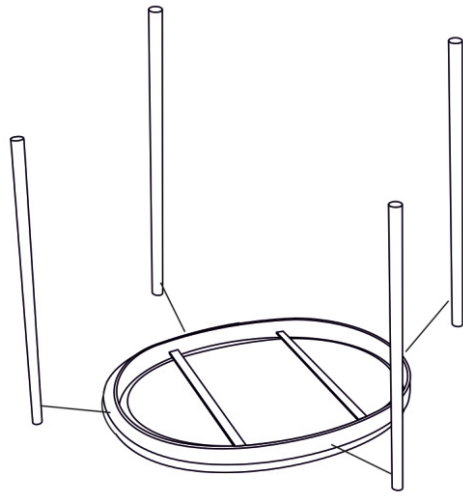
B

HOW TO ASSEMBLE

- STEP-1 Place the end table top upside on rug and match marking A with B respectively.
- STEP-2 Insert allen bolt D with spring washer F and flat washer E then tighten with allen key C and loose allen bolt.
- STEP-3 Match marking A1 with B respectively with holding A1 by one person.
- STEP-4 Insert allen bolt D with spring washer F and flat washer E then tighten with allen key C.
- STEP-5 Turn the end table upside down, end table ready to use.

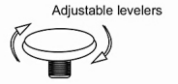
No.	Sketch	Description.	Size (IN)	Qty.	Ext.
C		ALLEN KEY	0.19"	1	0
D		ALLEN BOLT	0.31X0.78"	08	1
E		WASHER	0.35X1 "	08	1
F		SPRING WASHER	0.35X0.5"	08	1

STEP- 1

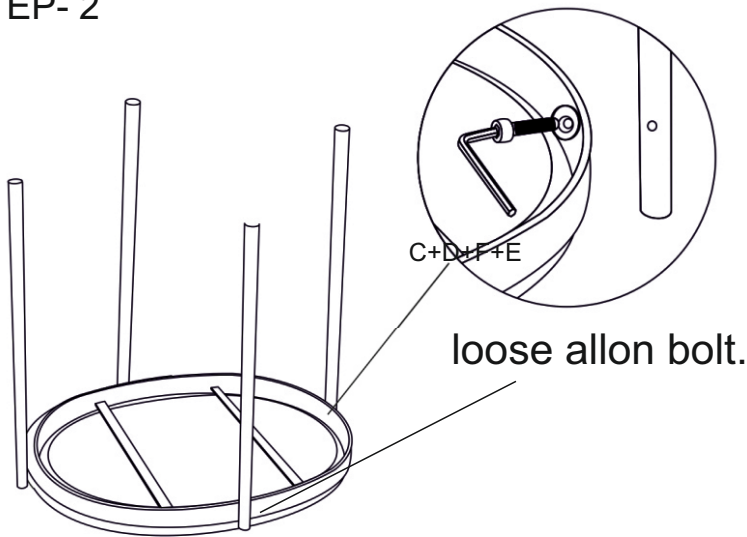


A+B

Tip for leveling of product:
When the product rests on an uneven floor surface it will appear to be unbalanced. To aid in leveling, try adjusting the levelers on the bottom of each foot.

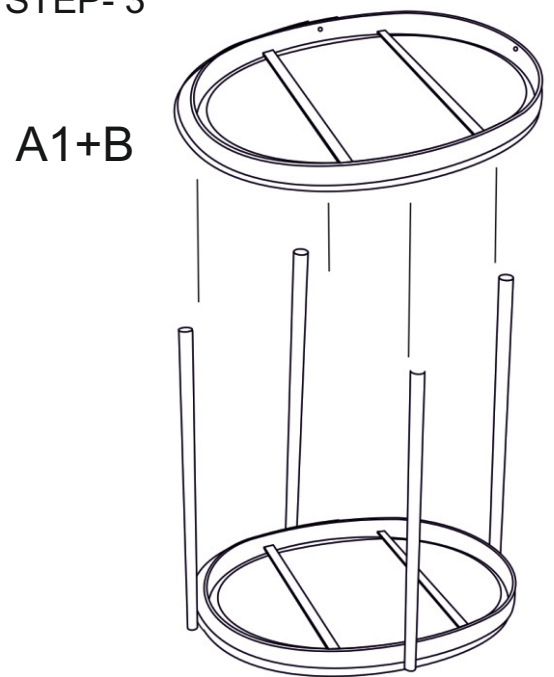


STEP- 2

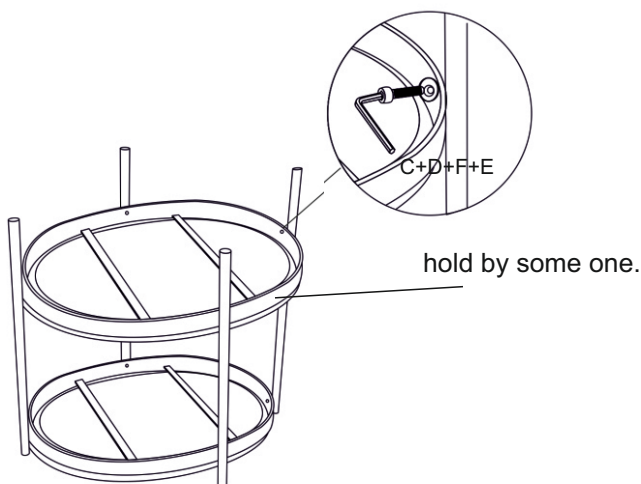


loose allon bolt.

STEP- 3

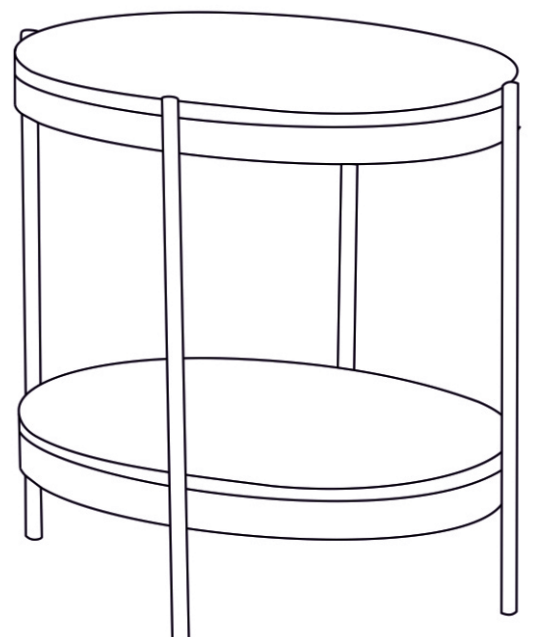


STEP- 4



hold by some one.

STEP- 5



FINAL