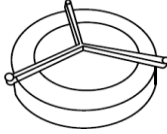
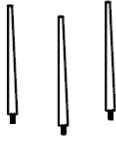
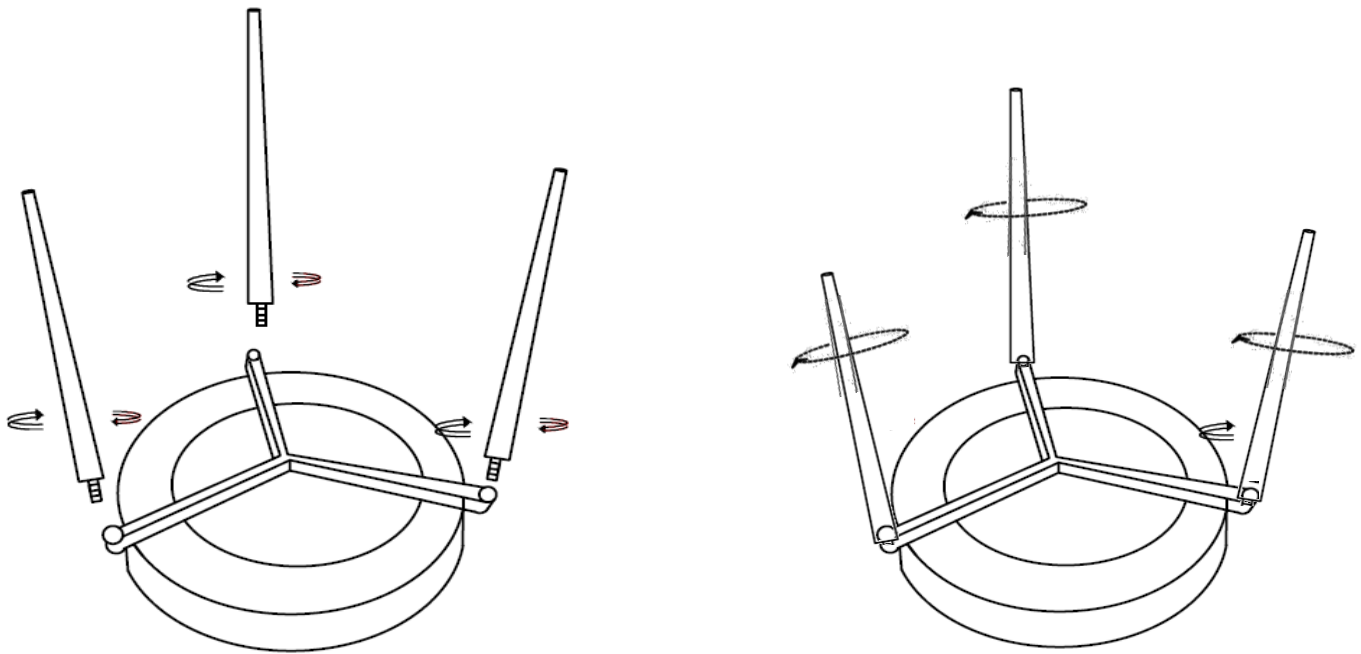


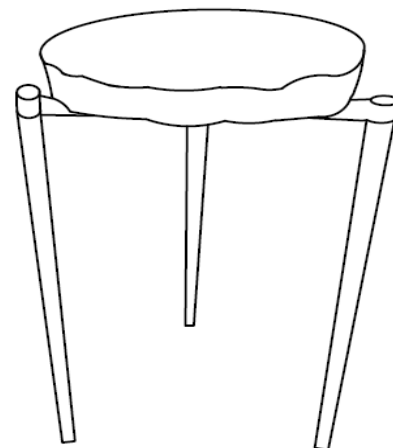
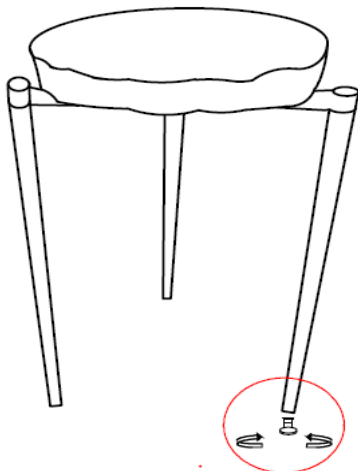
Thank you for purchasing this quality product. Be Sure to check all packing material carefully for small parts that may have come loose inside the carton during shipment.

PARTS LIST:				HARDWARE LIST:			
NO.	DESCRIPTION	SKETCH	QTY	NO.	DESCRIPTION	SKETCH	SIZE
A	MARBLE TOP		1	B	LEGS		3

STEP : 1 Fix iron legs as shown in below picture by revolve direction tighten them properly



Tip A: Sometimes the furniture will not balance because of an uneven floor surface its rests on. In that case, try adjusting the levelers found on the bottom of each foot to aid in correcting.



FINISH