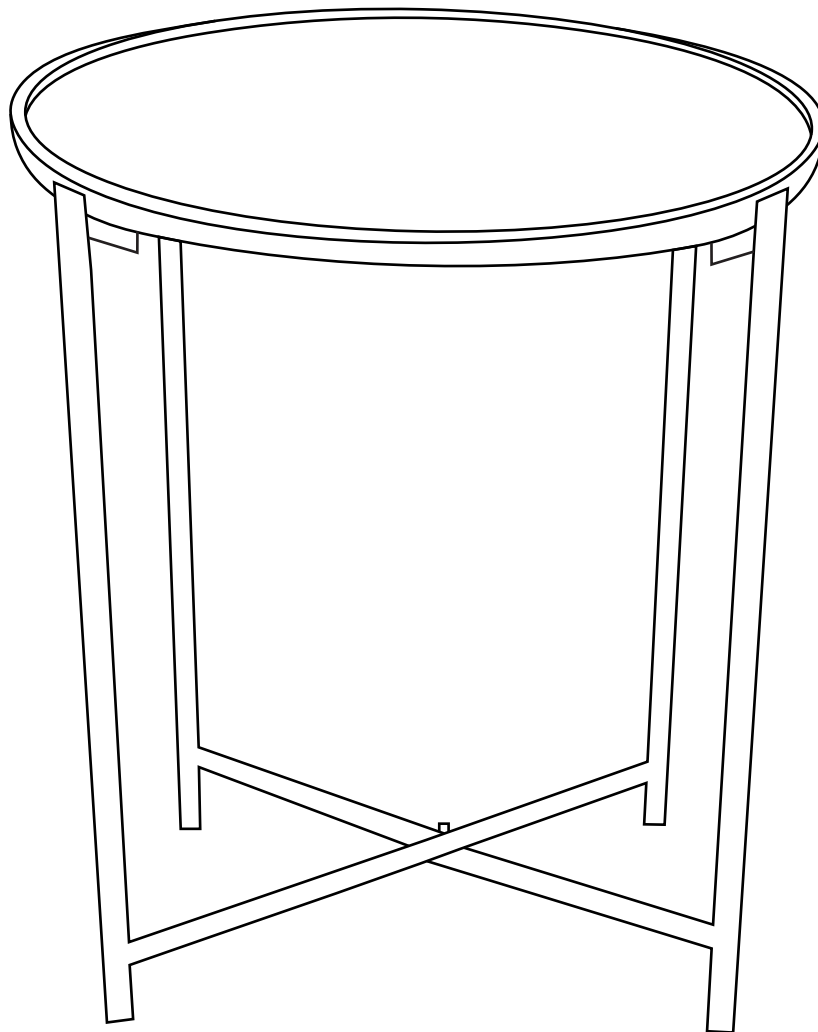


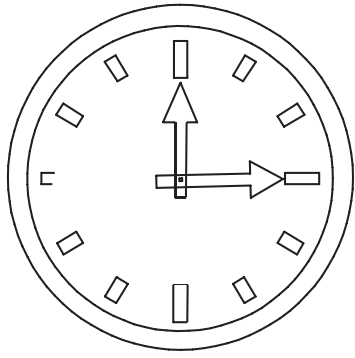
# Assembly Instructions

## 8710137 Tray Top End Table

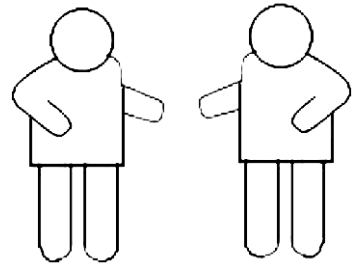
Product Issues? Please Call Us Before Contacting Your Retailer At  
1-800-549-3300, email [customerservice@mshome.co](mailto:customerservice@mshome.co), or visit [www.mshome.co](http://www.mshome.co)  
We can help with Assembly Issues, Part Requests, Damages, & All Other  
Product Related Questions



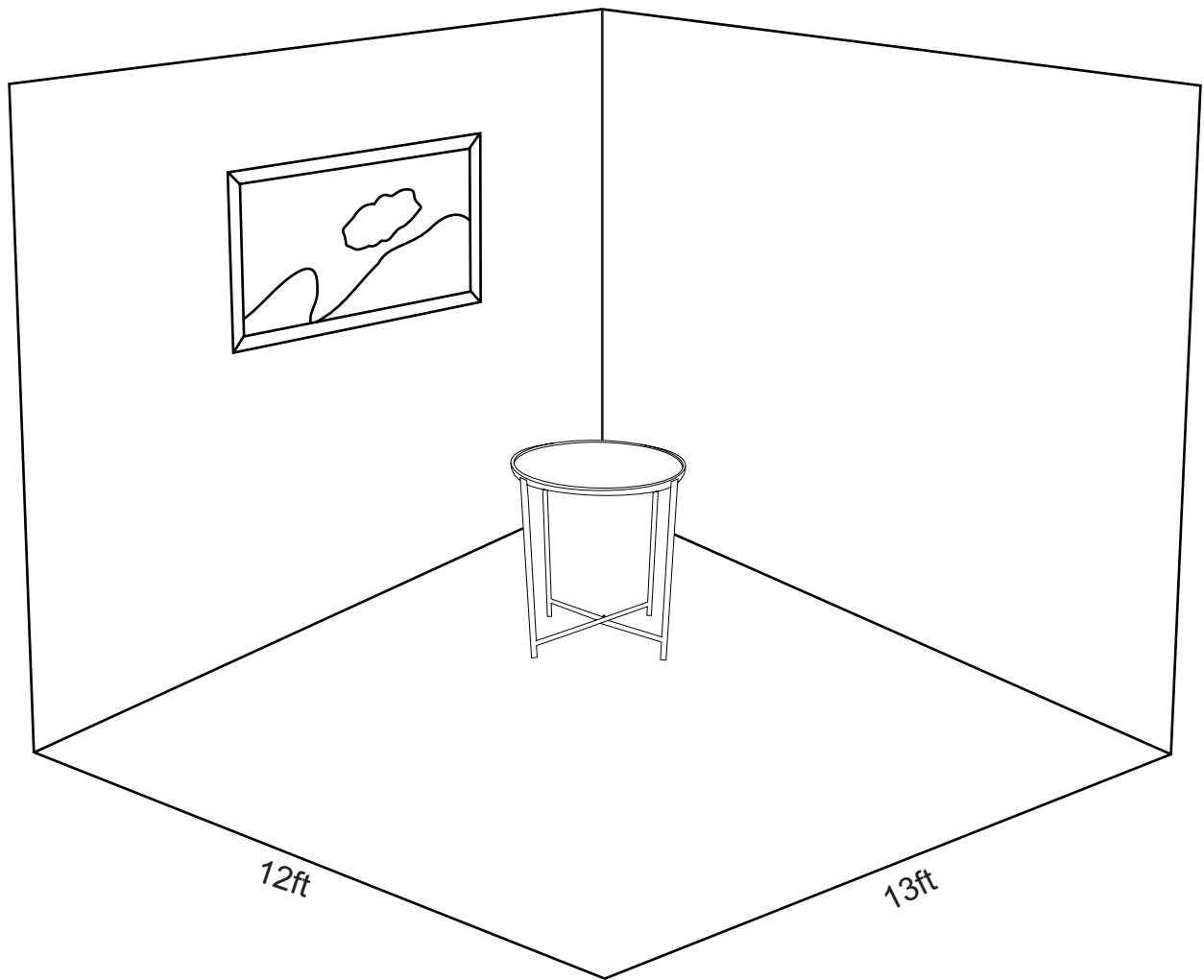
**MSH - USA**



15 min



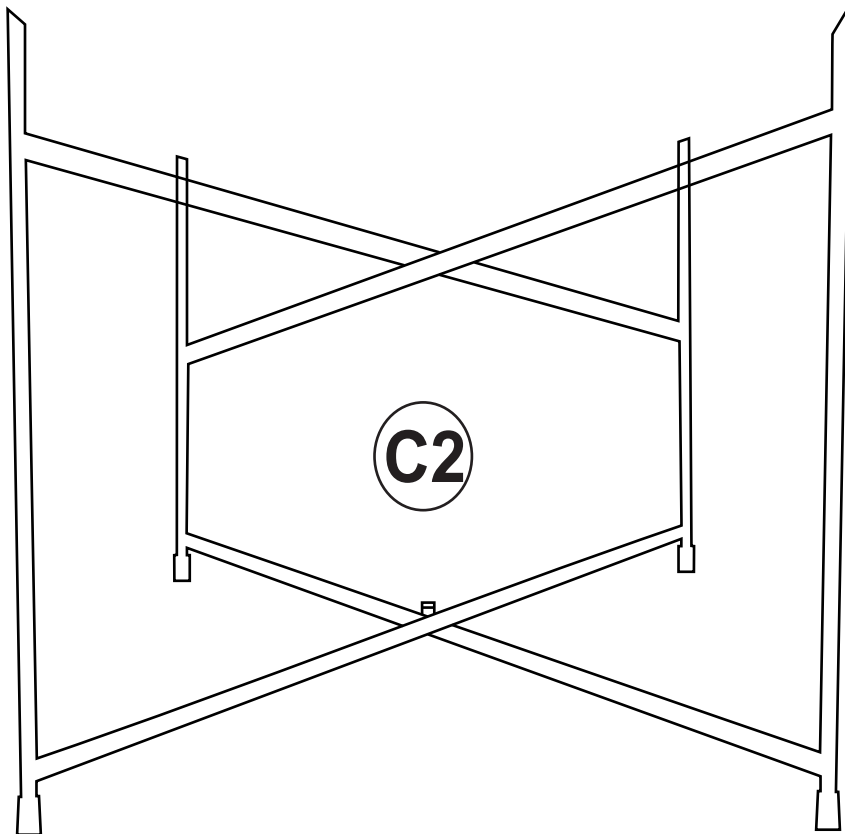
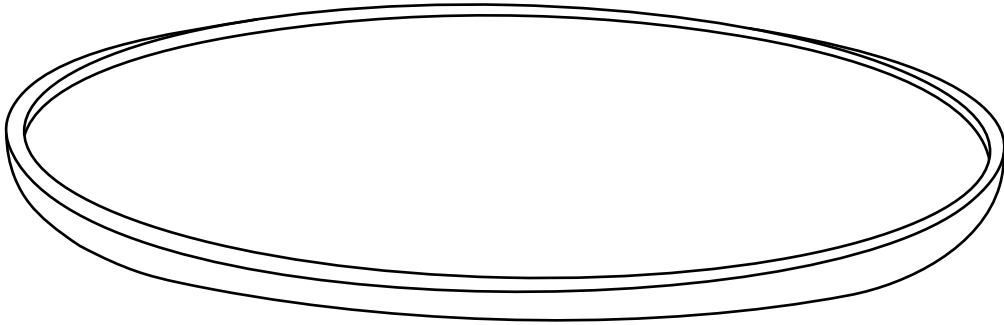
Two Person Required



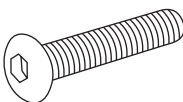


# Replacement Parts

C1 - Top x 1

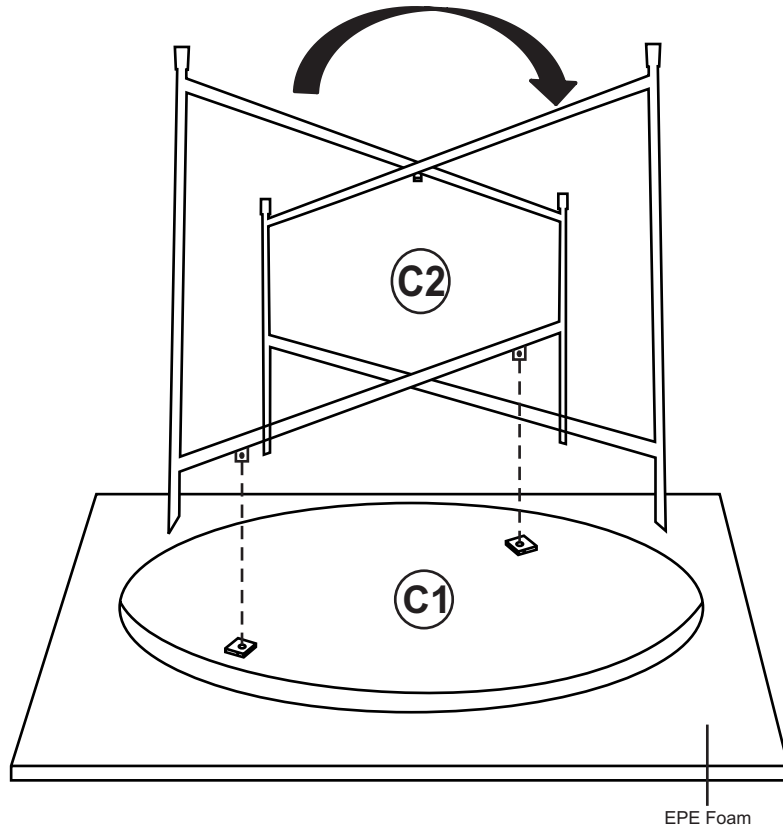
C2 - Legs x 1



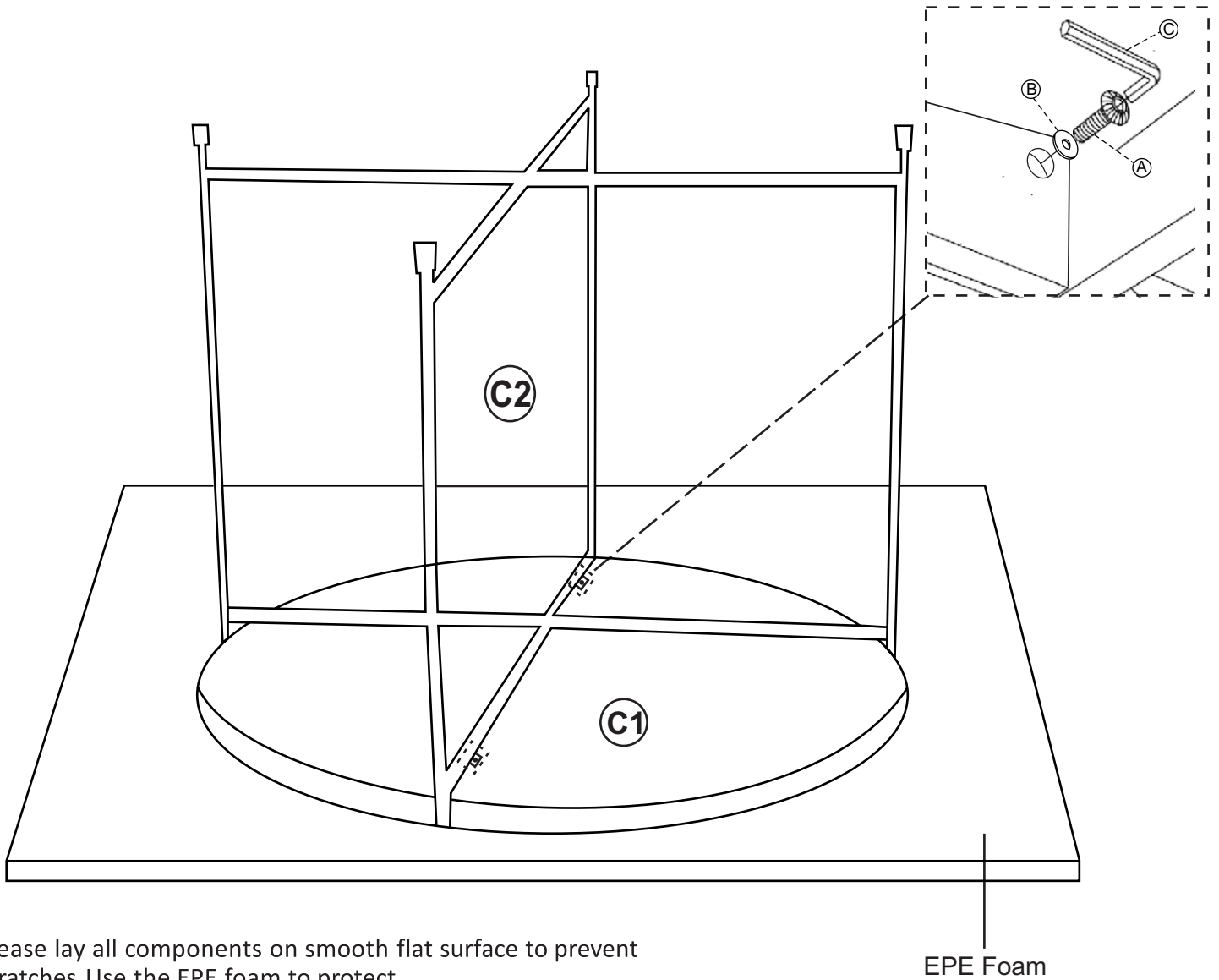
Hardware Pack:

<b>A</b>  2pcs	<b>B</b>  2pcs	<b>C</b>  Allen Key
---	---	--

1



2



Please lay all components on smooth flat surface to prevent scratches Use the EPE foam to protect the plastic hardware before assembly

