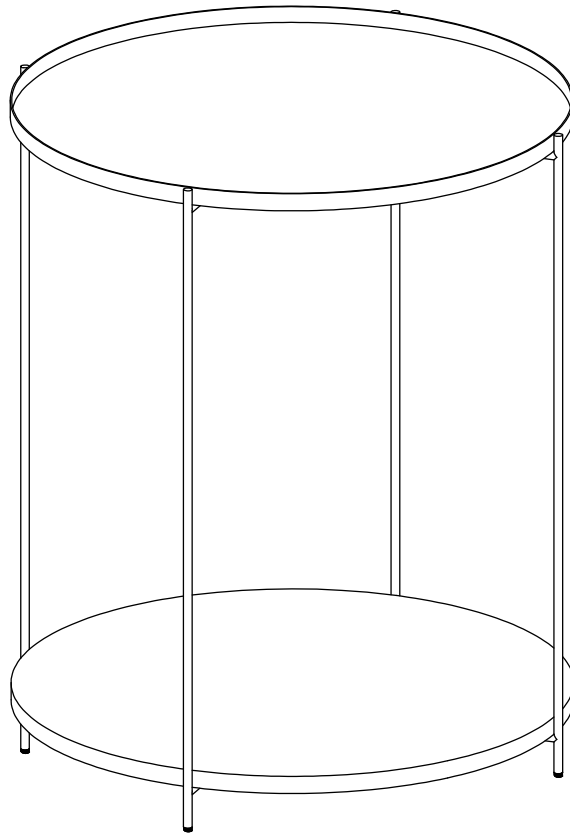


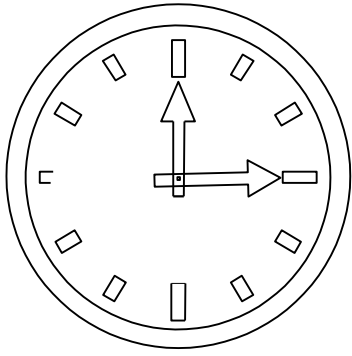
# Assembly Instructions

## 8702131 End Table

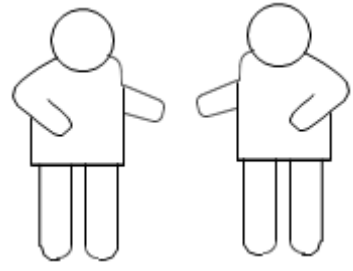
Product Issues? Please Call Us Before Contacting Your Retailer At  
1-800-549-3300, email [customerservice@mshome.co](mailto:customerservice@mshome.co), or visit [www.mshome.co](http://www.mshome.co)  
We can help with Assembly Issues, Part Requests, Damages, & All Other  
Product Related Questions



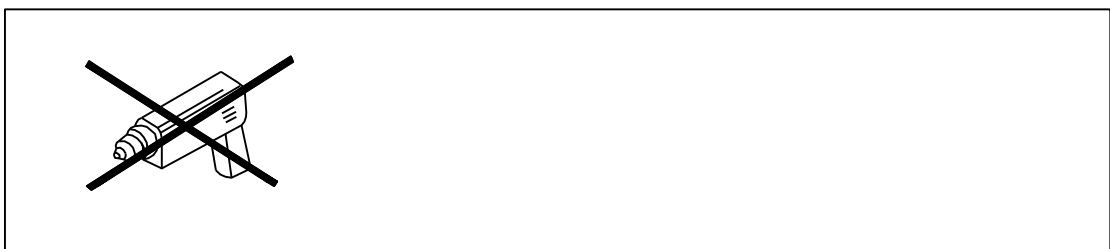
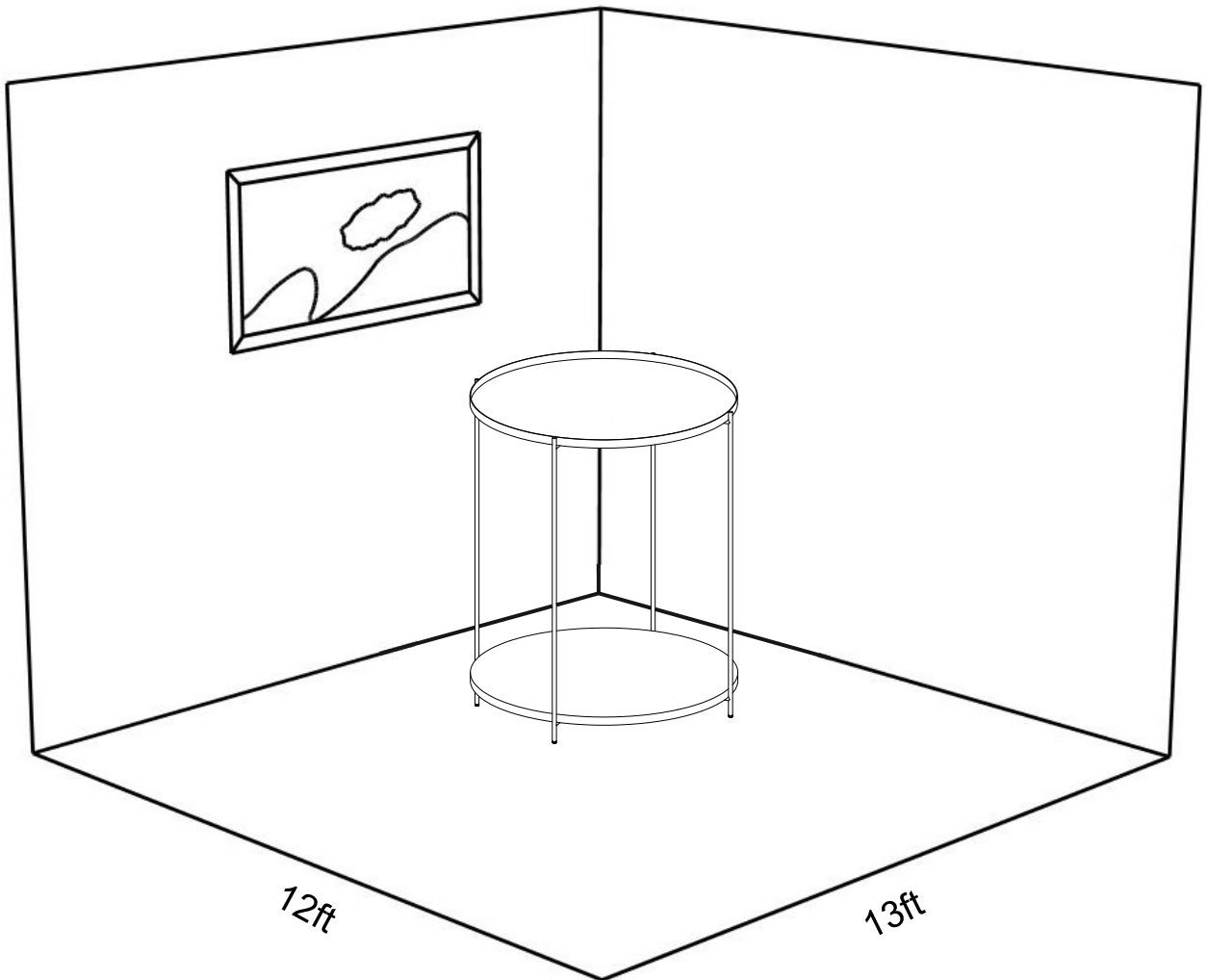
**MSH-USA**



15 min

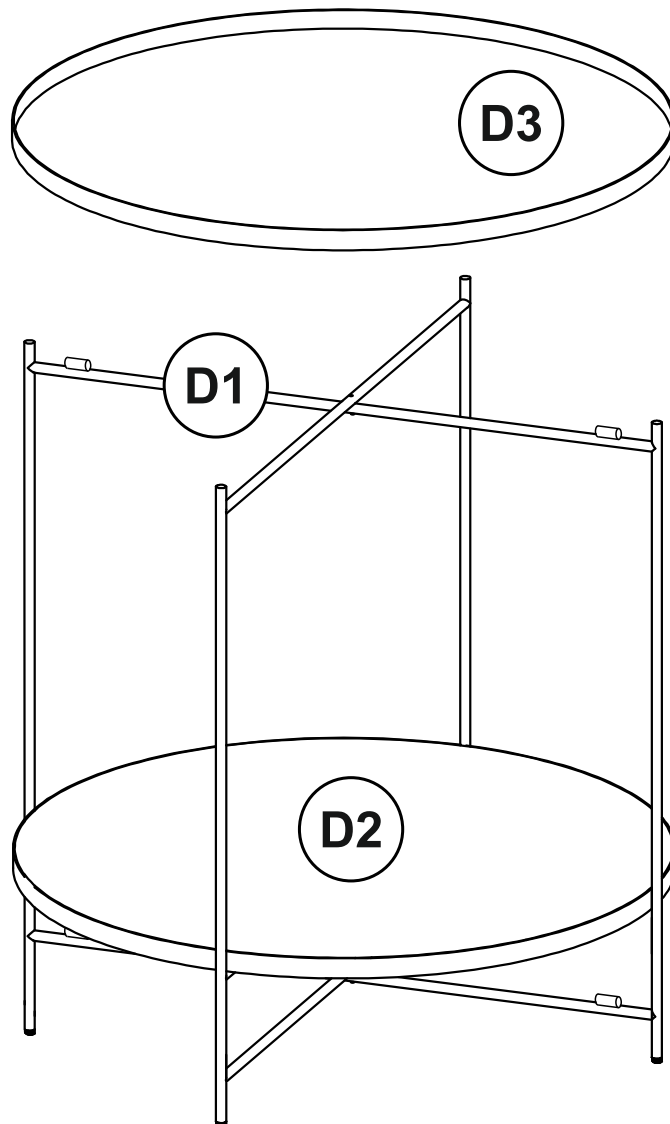


Two People Required






**PARTS INCLUDED:**

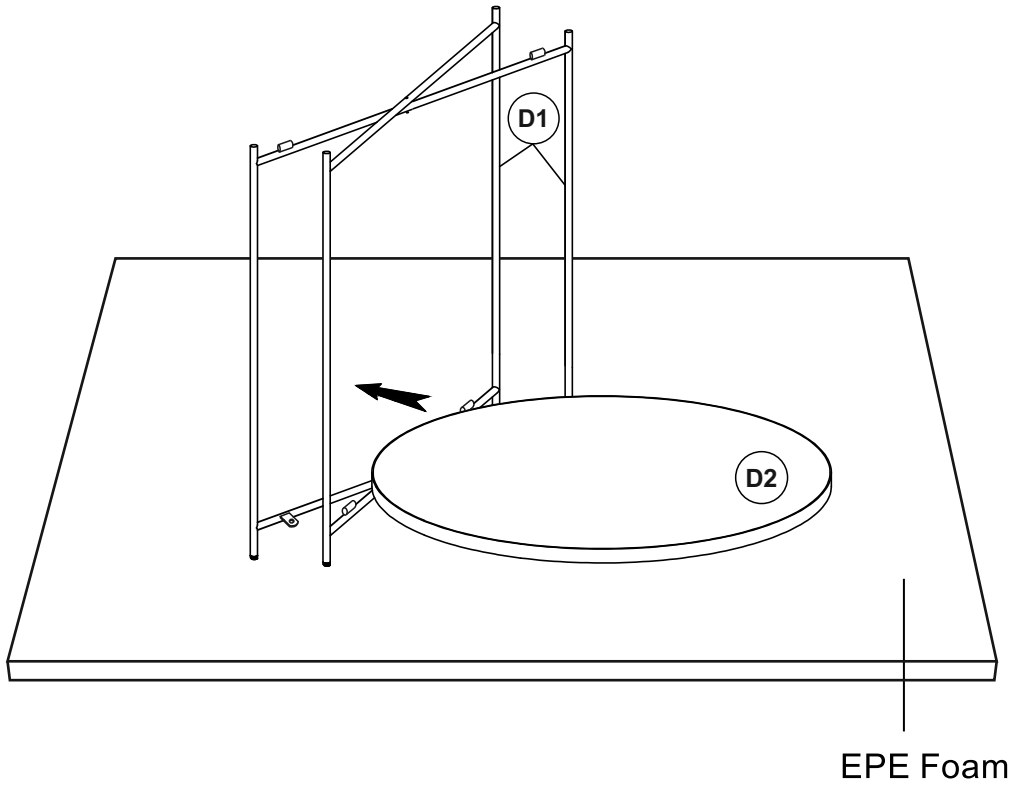
- (D1) Legs X 1
- (D2) Bottom Shelf X 1
- (D3) Top X 1



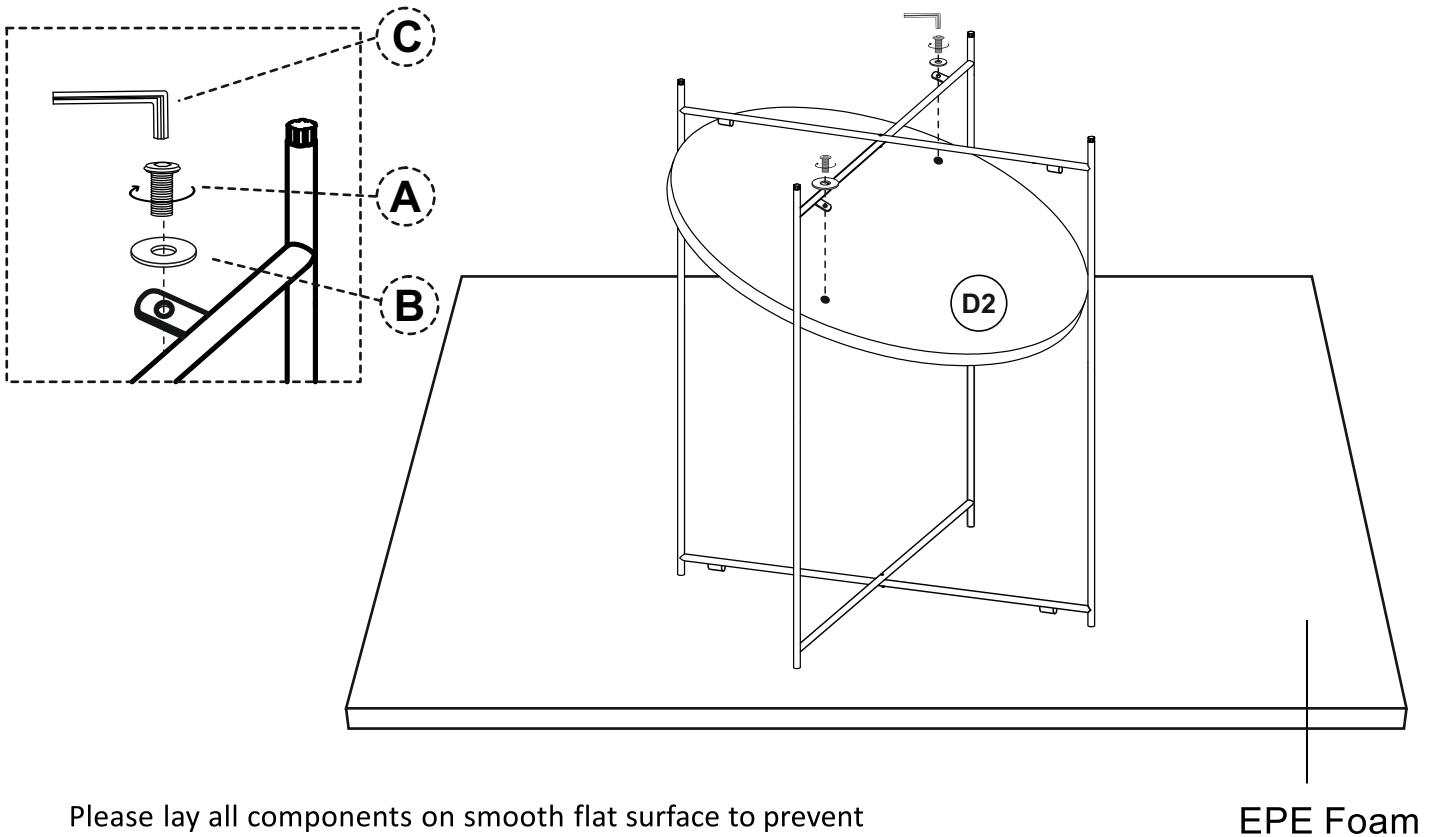
**Hardware Pack:**

<p><b>A</b></p>  <p>Ø8x38 (mm) 2pcs</p>	<p><b>B</b></p>  <p>Ø13x2 (mm) 2pcs</p>	<p><b>C</b></p>  <p>Allen Key M5</p>
--	--	---

1

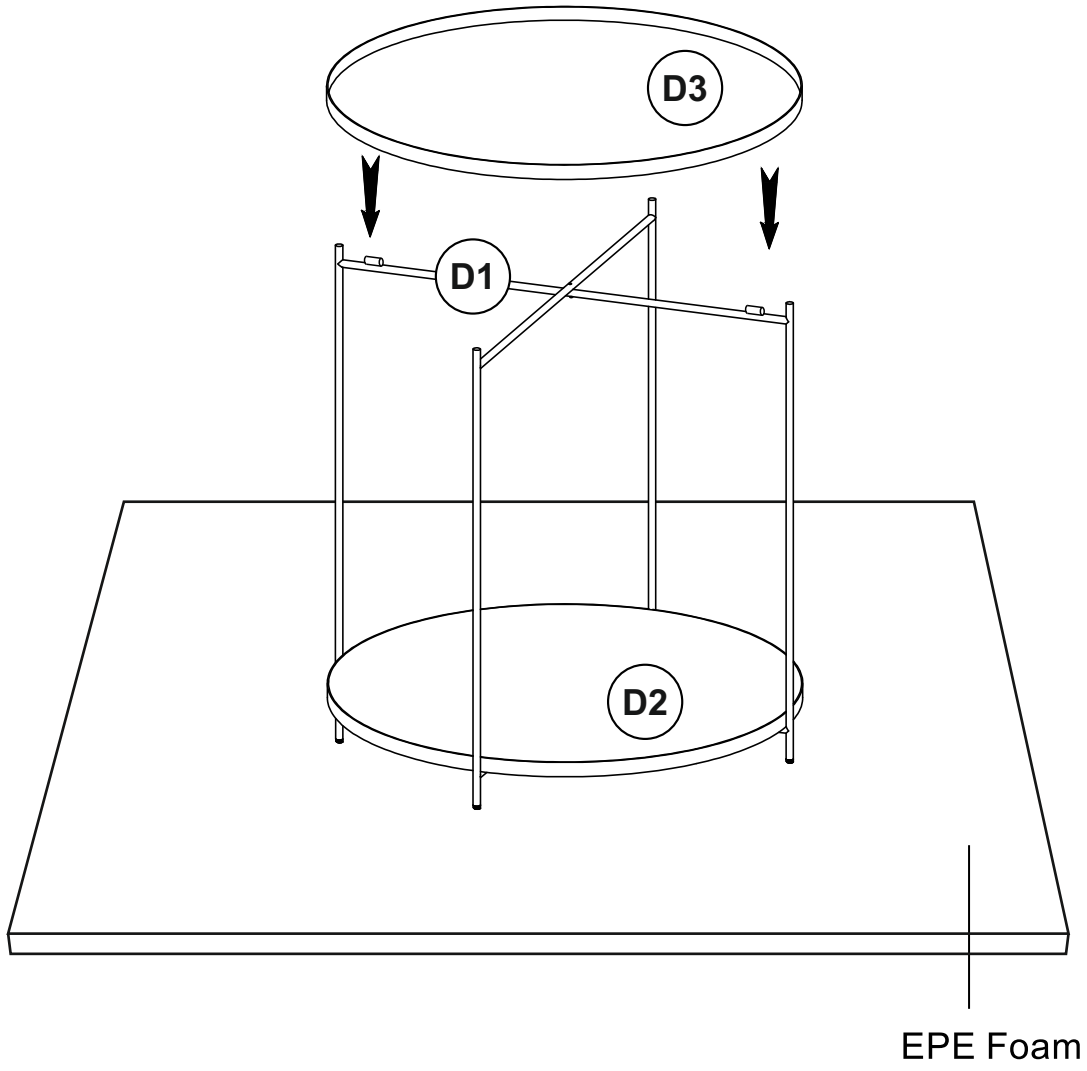


2



Please lay all components on smooth flat surface to prevent scratches Use the EPE foam to protect the plastic hardware before assembly

1



2

