











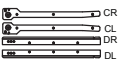
ASSEMBLY INSTRUCTIONS

ITEM NO.: I820-40

DESK

Thank you for purchasing this quality product. Place all wooden parts on a clean and smooth surface such as a rug or carpet to avoid the parts from being scratched. Be sure to check all packing materials carefully for small parts may have come loose inside the carton during shipment, clarify and count all parts and compare with the parts list below. Do not tighten all screws / bolts until all completely assembled.

Parts List		
No.	Description	Q.ty
1	Back Panel	1PC
2	Shelf Panel	1PC
3	Table Top	1PC
4	Bottom Panel	1PC
5	Left Panel	1PC
6	Right Panel	1PC
7	Upright Left	1PC
8	Upright Right	1PC
9	Modesty Panel	1PC
10	Bottom Support	1PC
11	Drawer Front	1PC
12	Drawer Side	2PCS
13	Drawer Back	1PC
14	Drawer Bottom	1PC
15	Metal Leg	2PCS

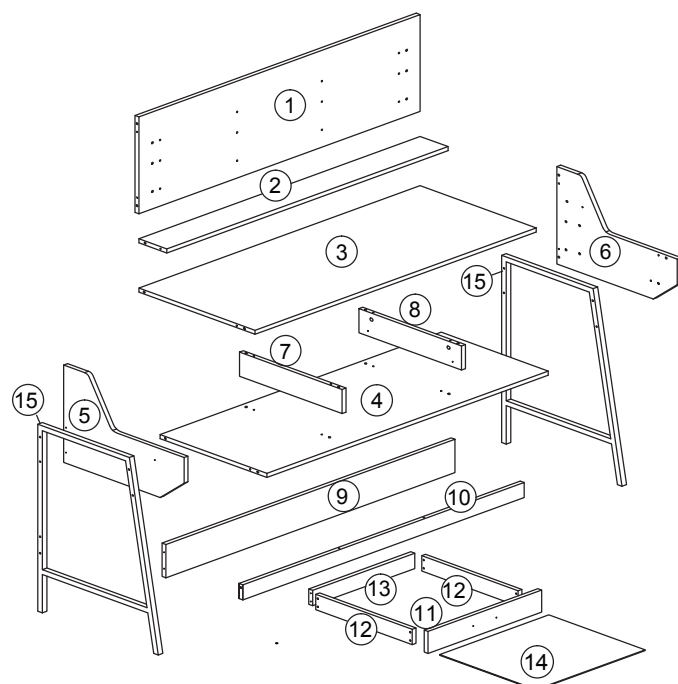
Hardware List				
No.	Description	Sketch	Size	Q.ty
A	Wood Dowels		M8x 30mm	30pcs
B	Cam Lock		D15mm x T11mm	18pcs
C	Cam Bolts		M6 x 40mm	18pcs
D	Screws		Ø3.5 x 12mm	12pcs
E	Screws		Ø4 x 32mm	14pcs
F	Screws		Ø4 x 38mm	8pcs
G	Screws		Ø4 x 45mm	16pcs
H	Nail		Ø1.8 x 18mm	8pcs
I	Handle		7050	1pc
J	Bolts		Ø4 x 25mm	2pcs
K	Rails		350mm	4pcs/ 2sets

NOTE : YOU WILL ALSO NEED A SCREWDRIVER (NOT PROVIDED)

These parts are cumbersome and heavy. Therefore, two people are recommended in order to prevent personal injury and insure the parts are not damaged during the assembly.

△ Important Notes

- *Keep all hardware parts out of reach of children!
- *Tighten screws periodically! With the use of this product bolts and screws may become loose over time!
- *Don't attempt to modify parts!

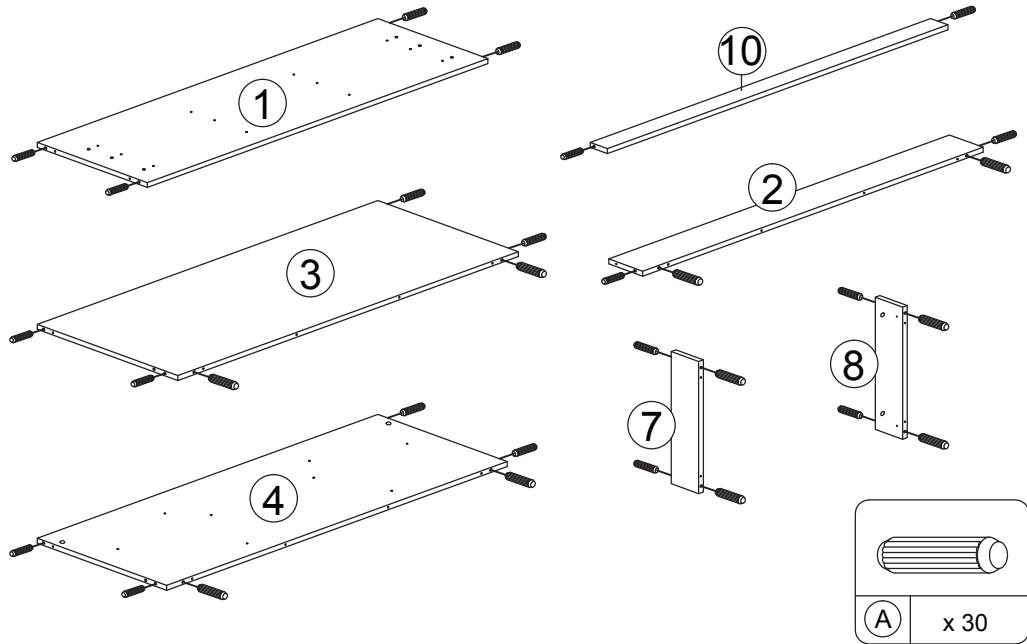


ASSEMBLY INSTRUCTIONS

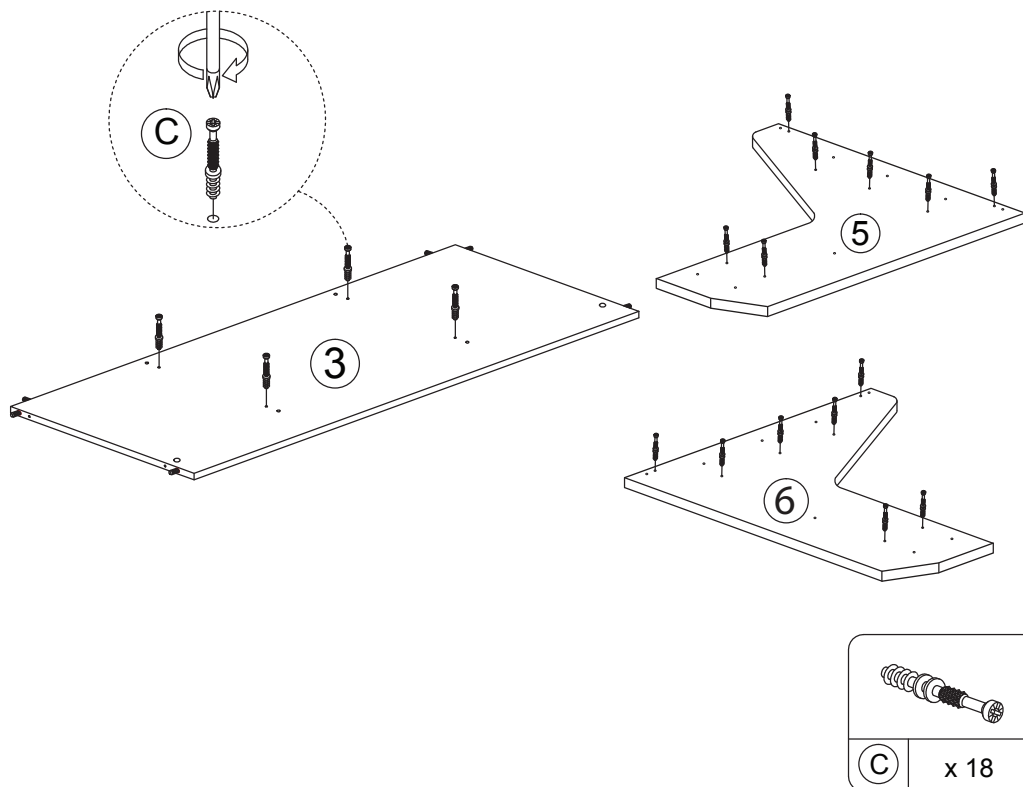
ITEM NO.: 1820-40

DESK

STEP 1:



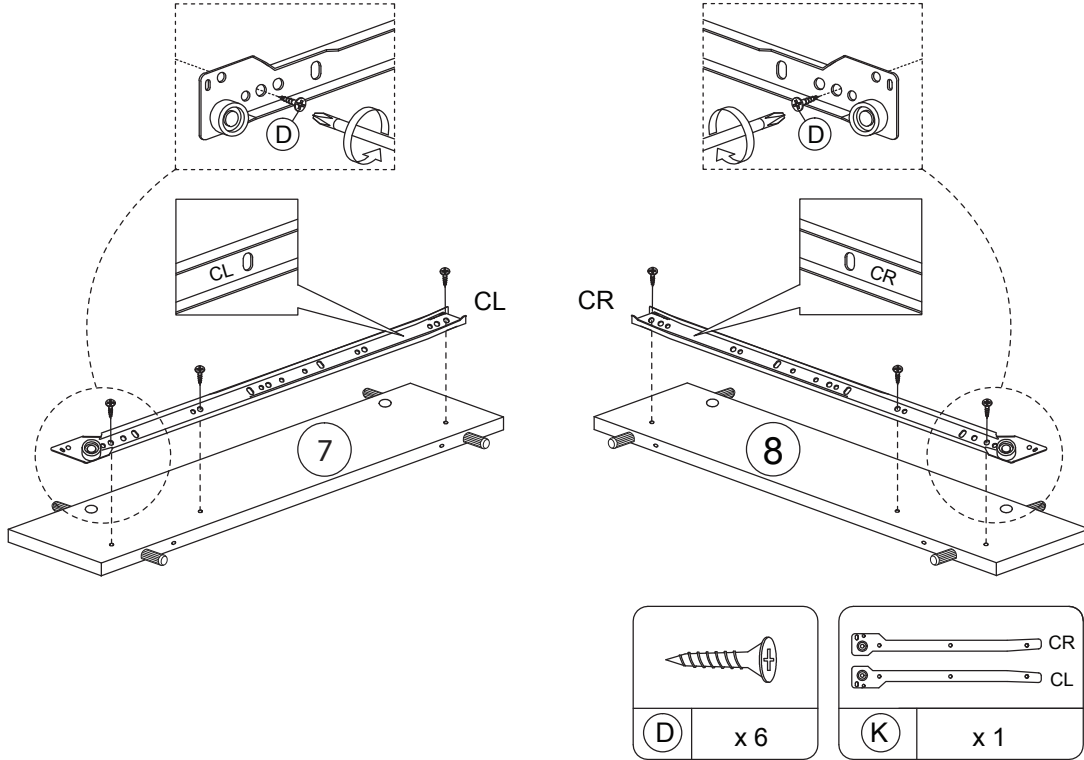
STEP 2:



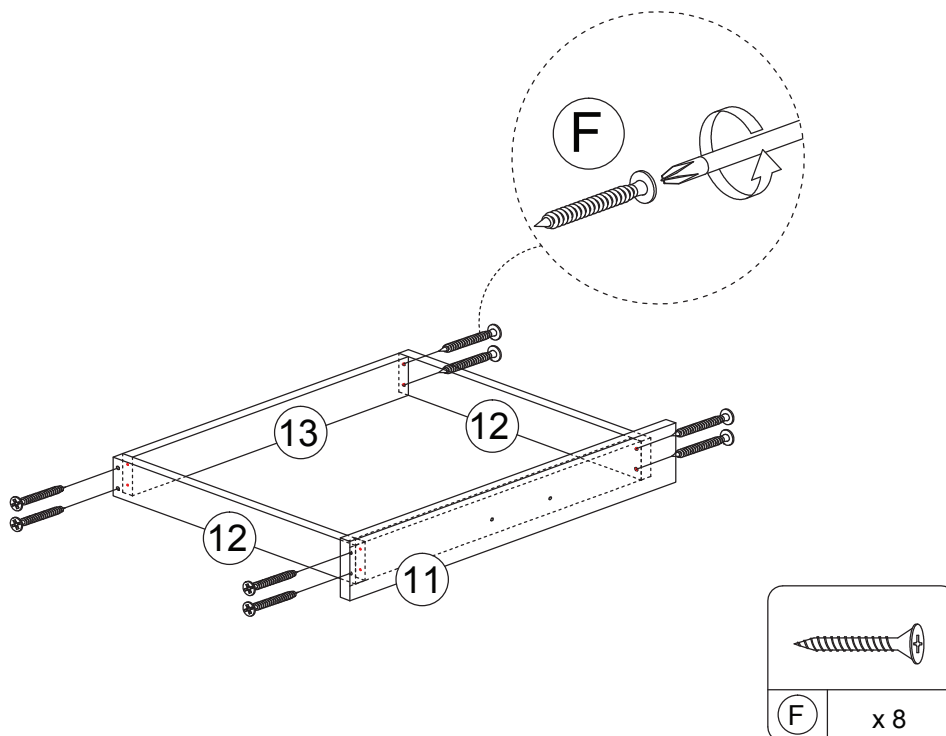
ASSEMBLY INSTRUCTIONS

ITEM NO.: I820-40
DESK

STEP 3:



STEP 4:

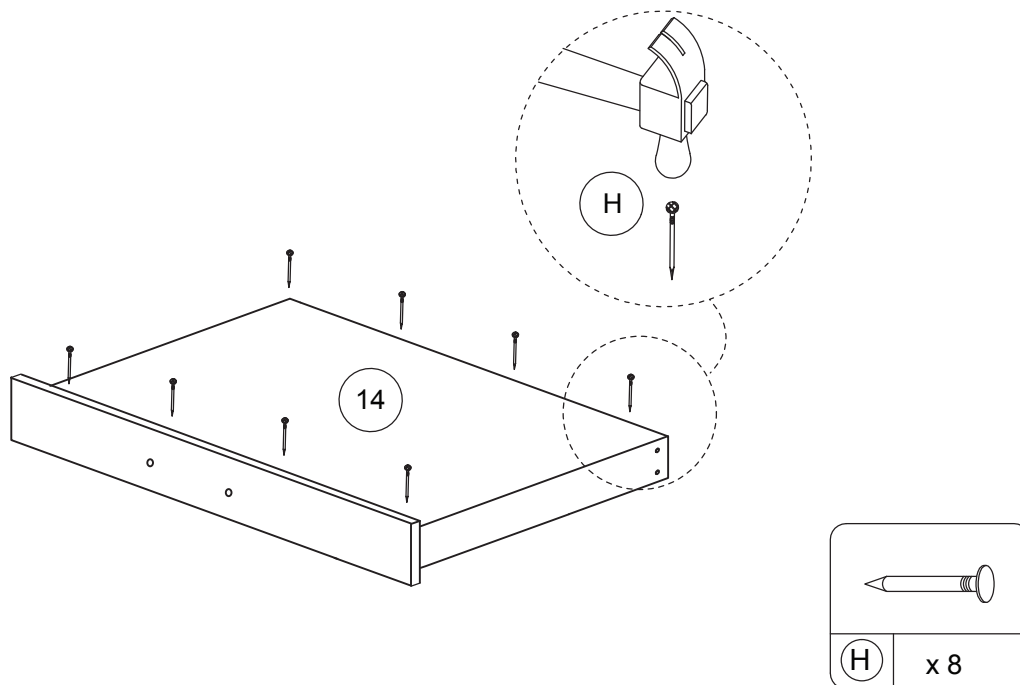


ASSEMBLY INSTRUCTIONS

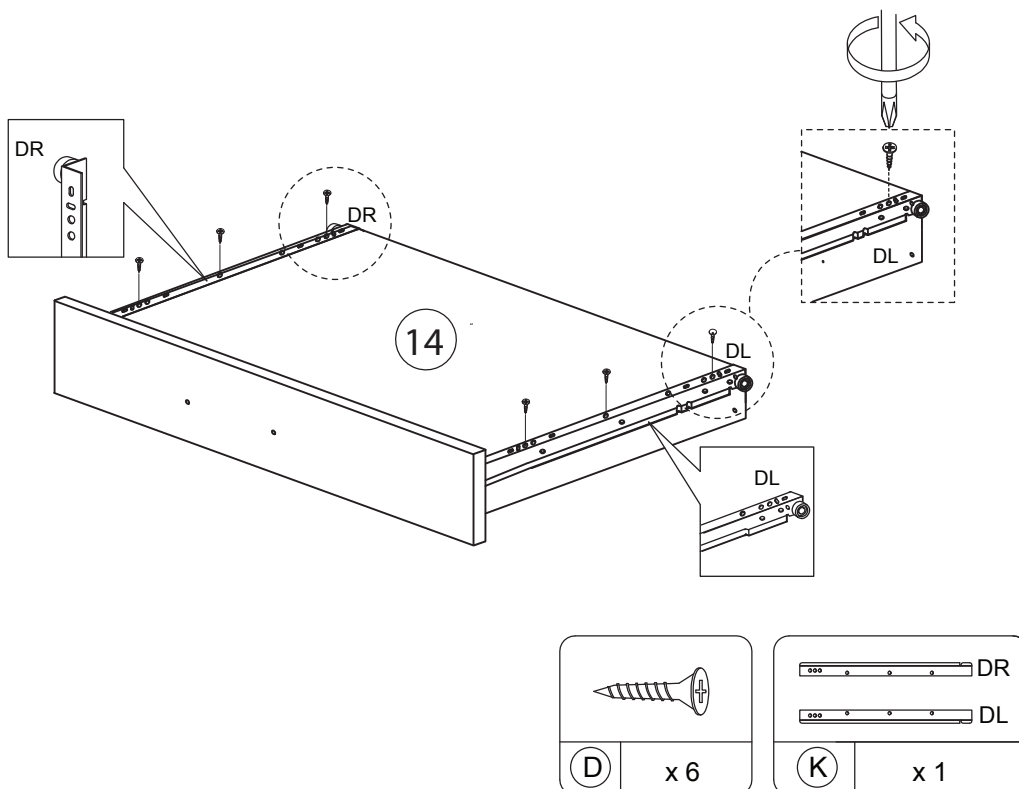
ITEM NO.: I820-40

DESK

STEP 5:



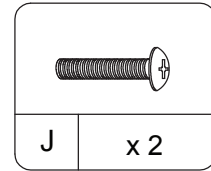
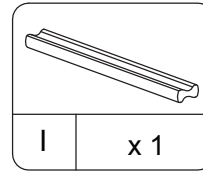
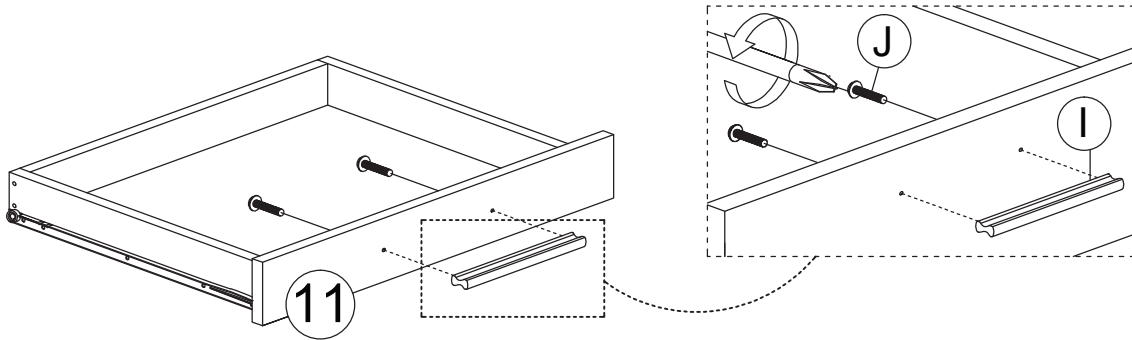
STEP 6:



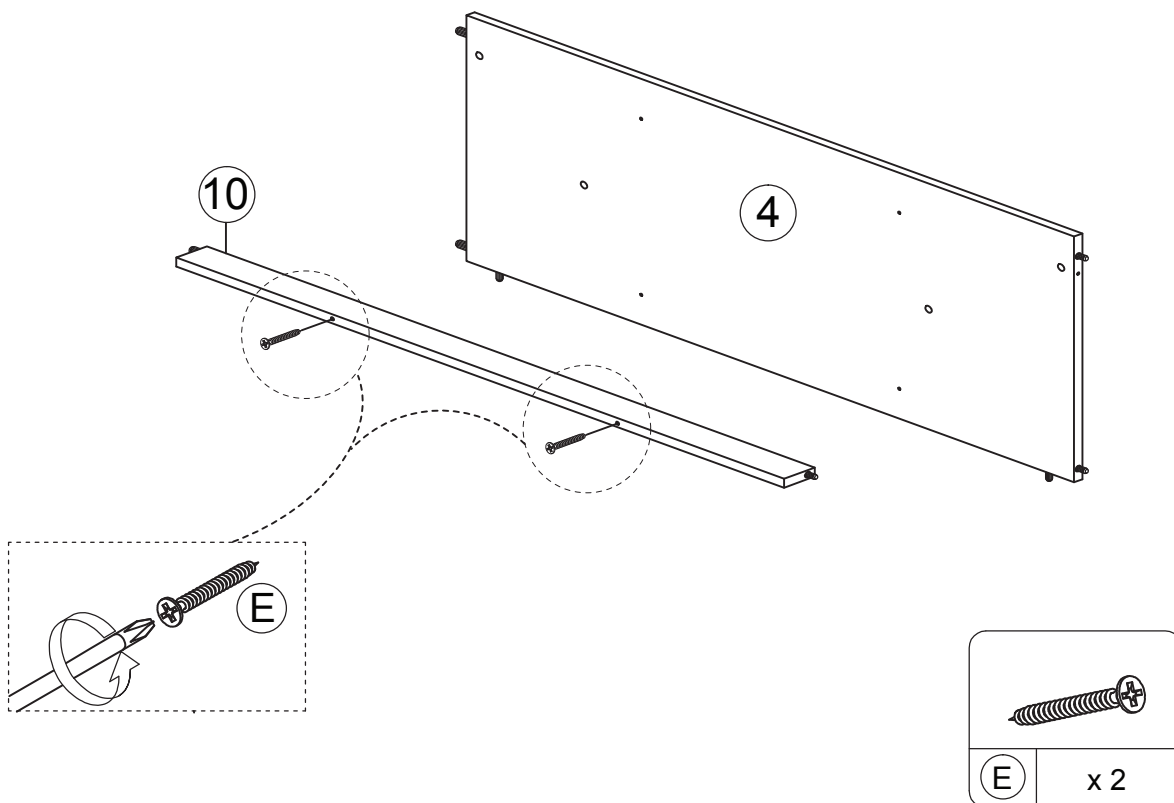
ASSEMBLY INSTRUCTIONS

ITEM NO.: 1820-40
DESK

STEP 7:



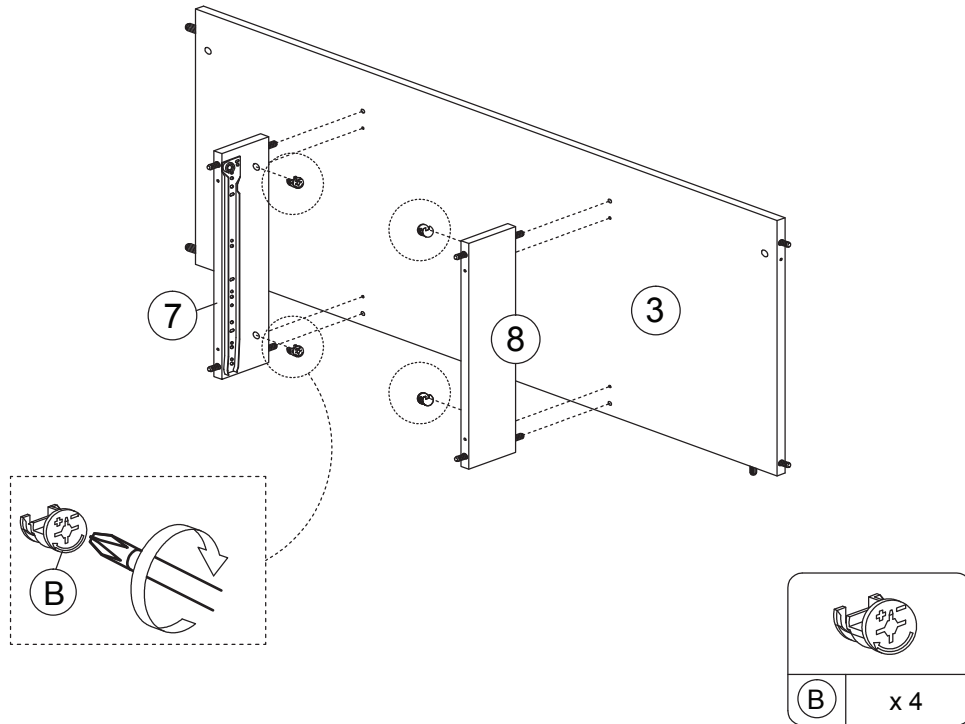
STEP 8:



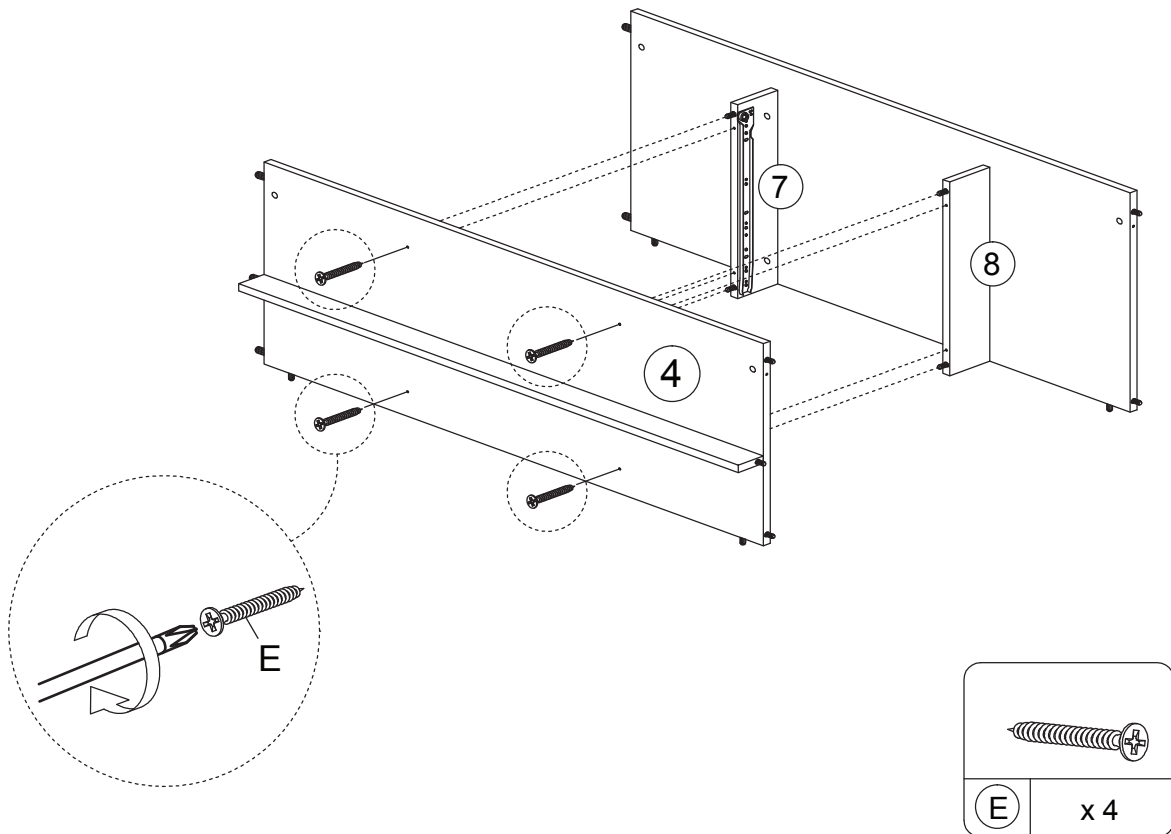
ASSEMBLY INSTRUCTIONS

ITEM NO.: I820-40
DESK

STEP 9:



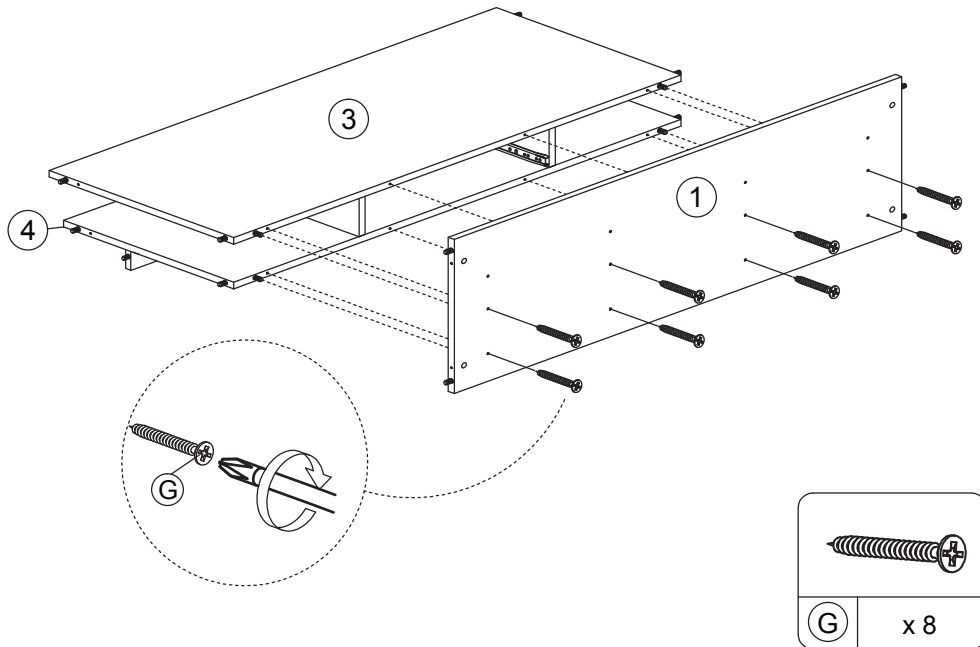
STEP 10:



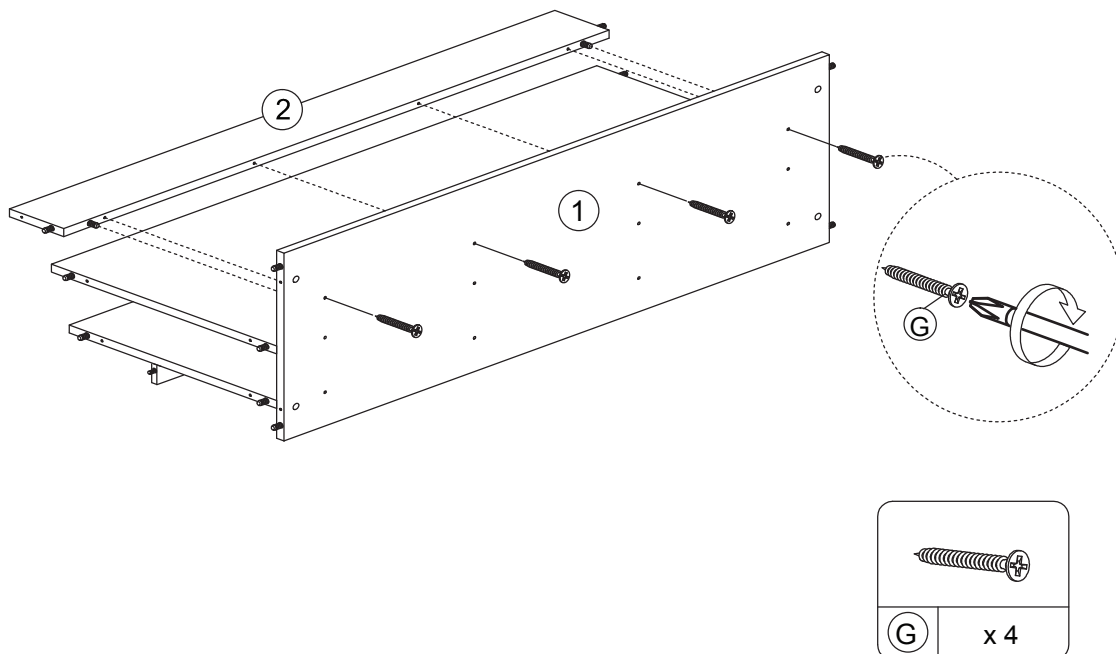
ASSEMBLY INSTRUCTIONS

ITEM NO.: I820-40
DESK

STEP 11:



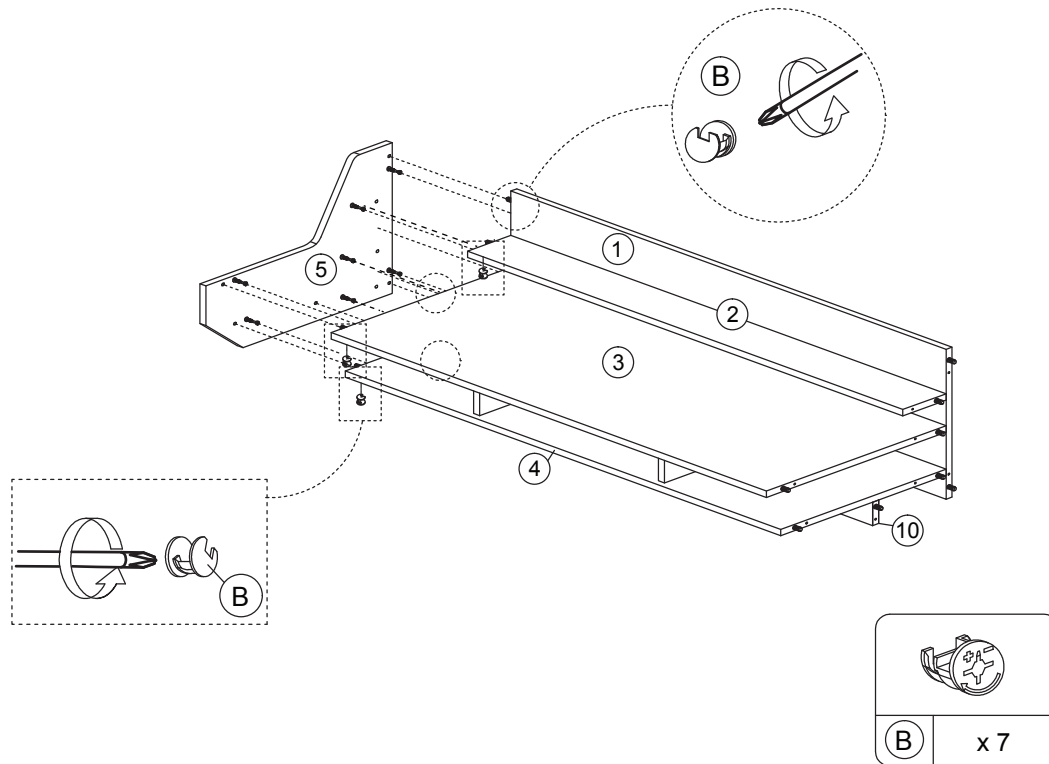
STEP 12:



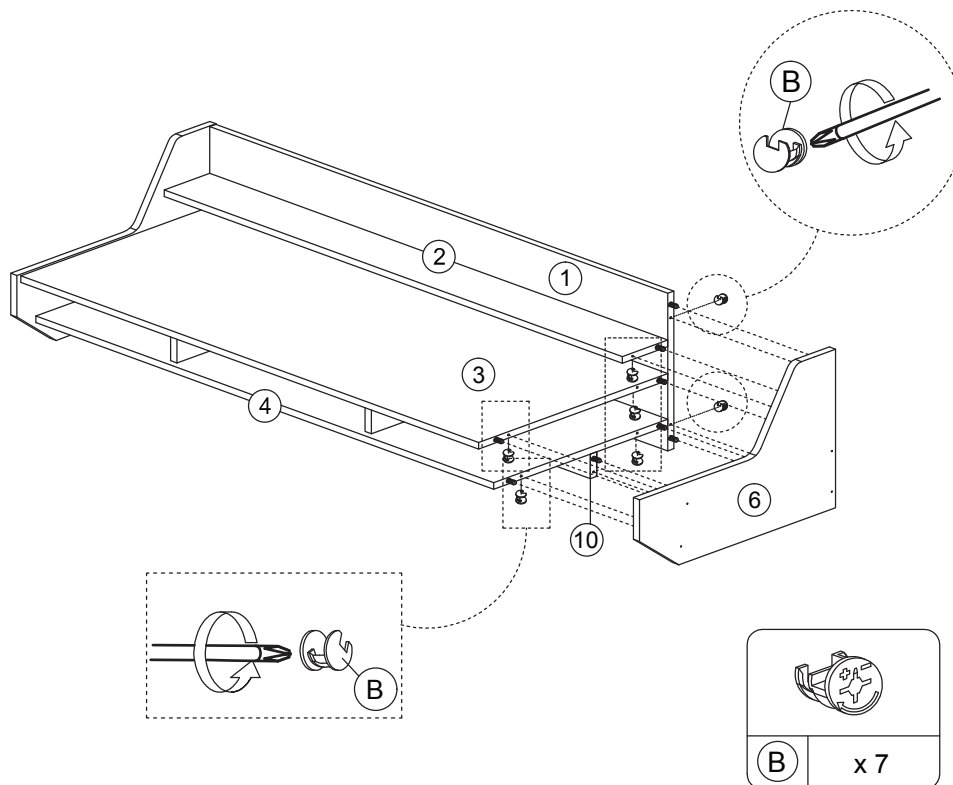
ASSEMBLY INSTRUCTIONS

ITEM NO.: I820-40
DESK

STEP 13:



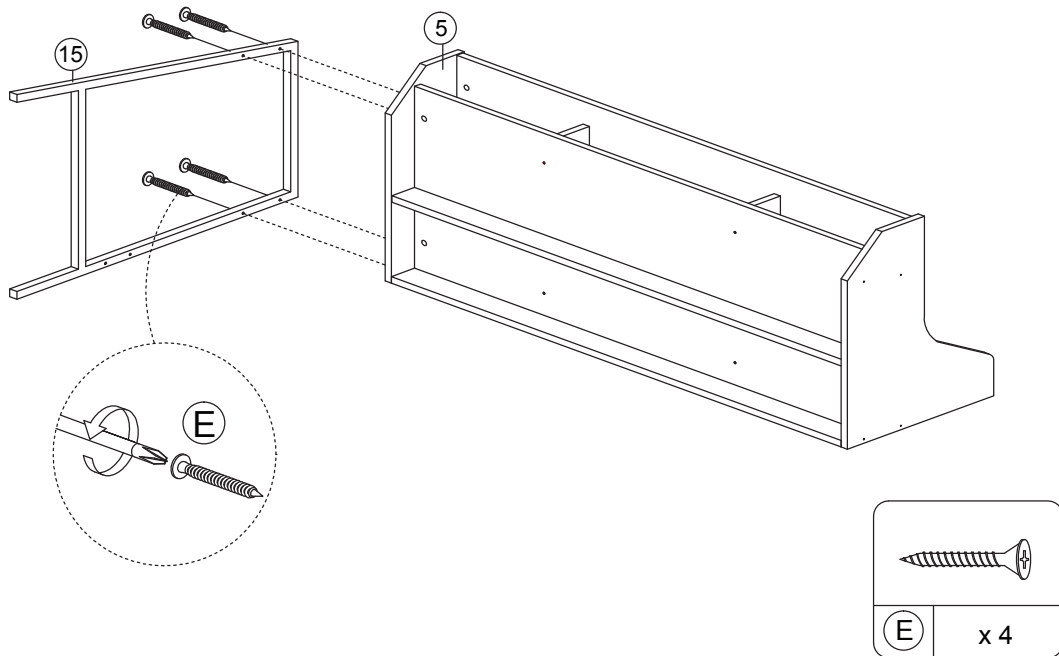
STEP 14:



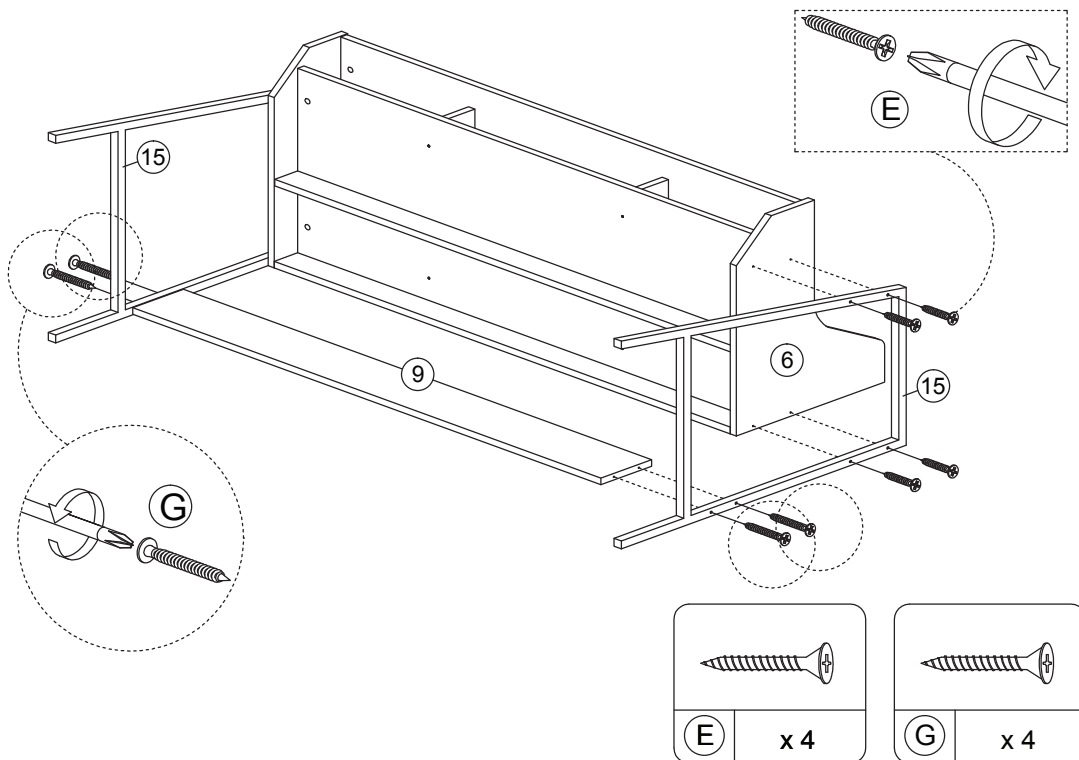
ASSEMBLY INSTRUCTIONS

ITEM NO.: I820-40
DESK

STEP 15:



STEP 16:



ASSEMBLY INSTRUCTIONS

ITEM NO.: I820-40
DESK

STEP 17:

