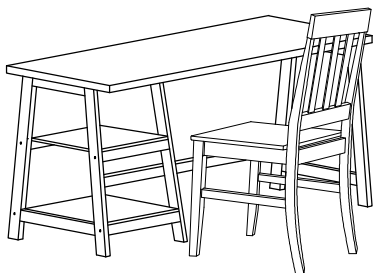


ASSEMBLY INSTRUCTION


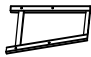
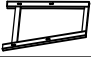









Item No: A290-71





Description: STUDY DESK WITH CHAIR


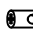





IMPORTANT NOTE :

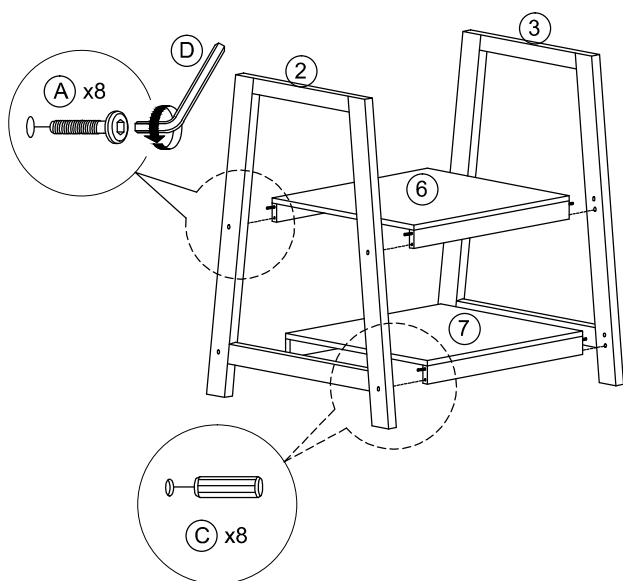
- Place all wooden parts on a clean and smooth surface such as a rug or carpet to avoid the parts from being scratched.
- Check to be sure that you have all parts and hardware.
- Remove all wrapping materials , including staples & packing straps before you start to assemble.
- Do not tighten all screws/bolts until all completely assembled.
- Keep all hardware parts out of reach of children !
- Tighten screws periodically ! With the use of this product bolts and screw may become loose over time !
- Don't attempt to modify parts !

PARTS LIST		
NO.	COMPONENT	QTY.
1	Table Top 	1 pc
2	Table Leg - Left (CL) 	1 pc
3	Table Leg - Center (C) 	1 pc
4	Table Leg - Right (CR) 	1 pc
5	Cross Bar 	1 pc
6	Shelf Panel - Small 	1 pc
7	Shelf Panel - Big 	1 pc
8	Chair Leg Frame - Left 	1 pc
9	Chair Leg Frame - Right 	1 pc
10	Back Rest 	1 pc
11	Seat Rail 	2 pcs
12	Wooden Seat 	1 pc

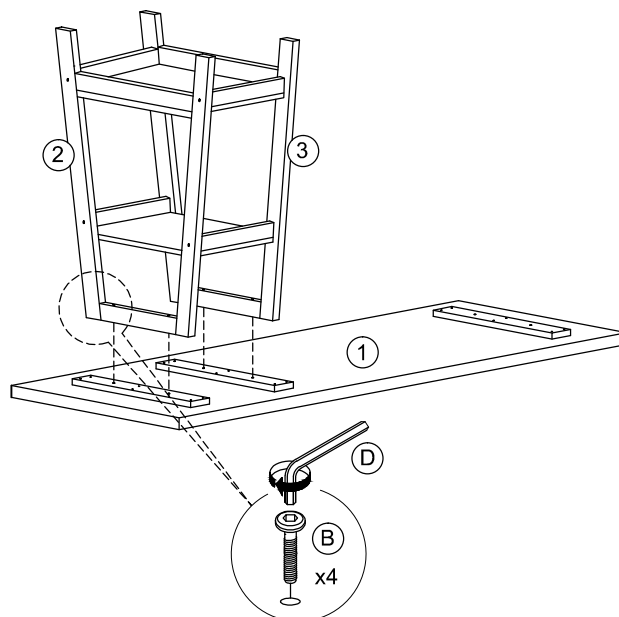
HARDWARE LIST - Table			
No.	COMPONENT		QTY.
A	JCBC Bolt M6 x 40mm		10 pcs
B	JCBC Bolt M6 x 50mm		6 pcs
C	Wood Dowel M8 x 30mm		10 pcs
D	M4 Allen Key		1 pc

HARDWARE LIST - Chair			
No.	COMPONENT		QTY.
E	JCBC Bolt M6 x 60mm		6 pcs
F	Barrel Nut		6 pcs
G	Wood Dowel M8 x 30mm		8 pcs
H	CB Screw M4 x 32mm		4 pcs
I	M4 Allen Key		1 pc

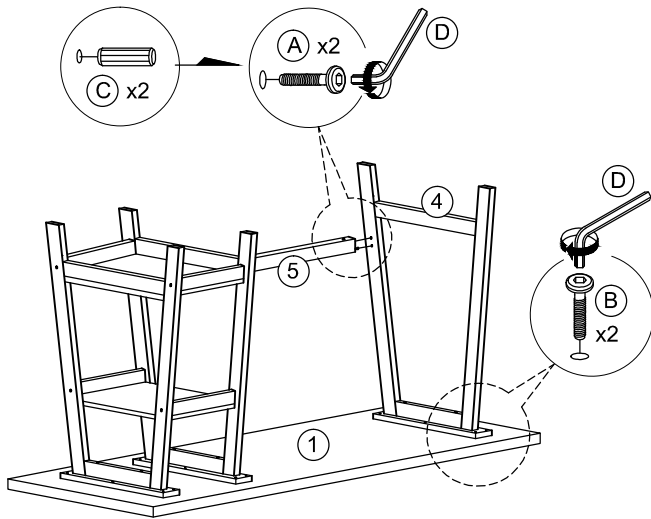
STEP 1



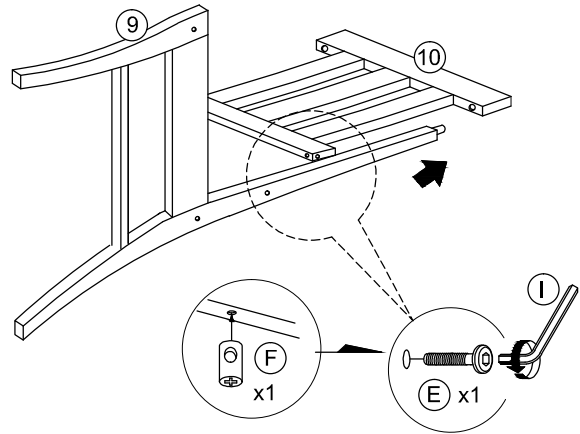
STEP 2



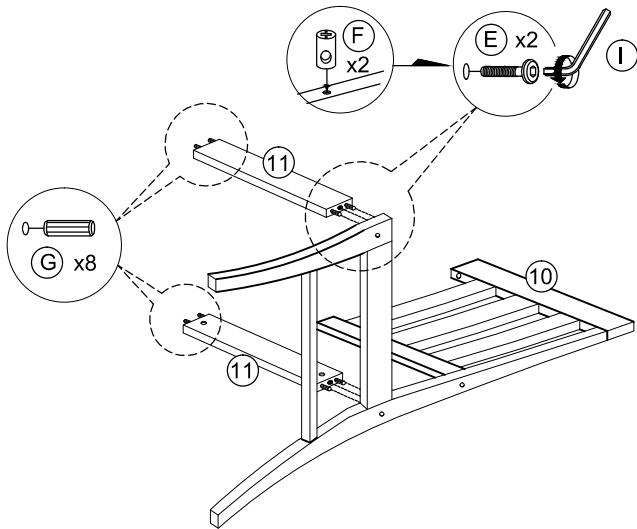
STEP 3



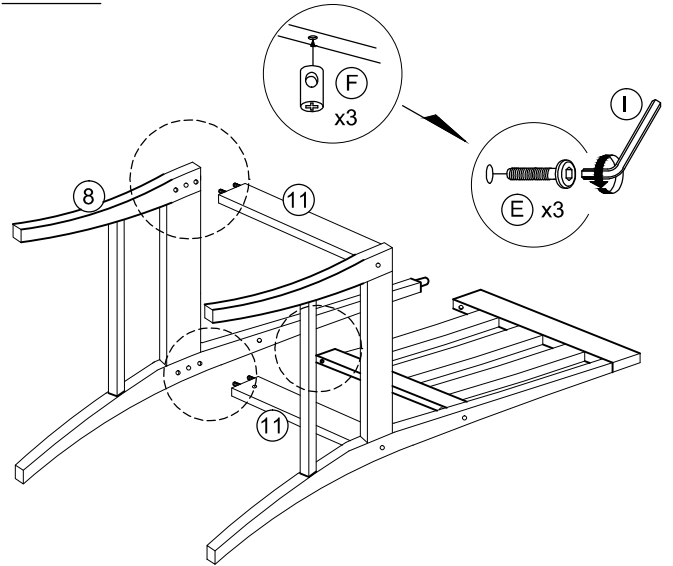
STEP 4



STEP 5



STEP 6



STEP 7

