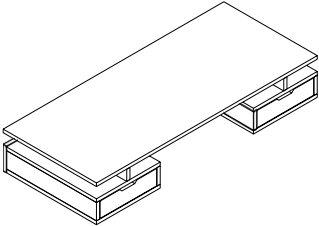
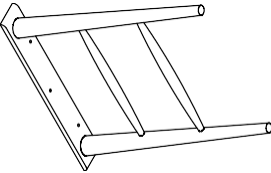


# ASSEMBLY INSTRUCTIONS

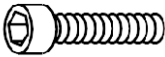


## ITEM NO. 77263

Thank you for purchasing this quality product. Be sure to check all packing material carefully for small parts, which may have come loose inside the carton during shipment. Identify and count all parts and compare with the hardware and parts list below.


### Part List

Label	Picture	Description	Qty.
A		TOP	1 PC
B		LEG	2 PCs

### Hardware List

Label	Picture	Description	Size	Qty.
H-1		BOLT	8 x 50 mm	6+1 PCs
H-2		FLAT WASHER	25x8 mm	6+1 PCs
H-3		SPRING WASHER	8 mm	6+1 PCs

### Tool List

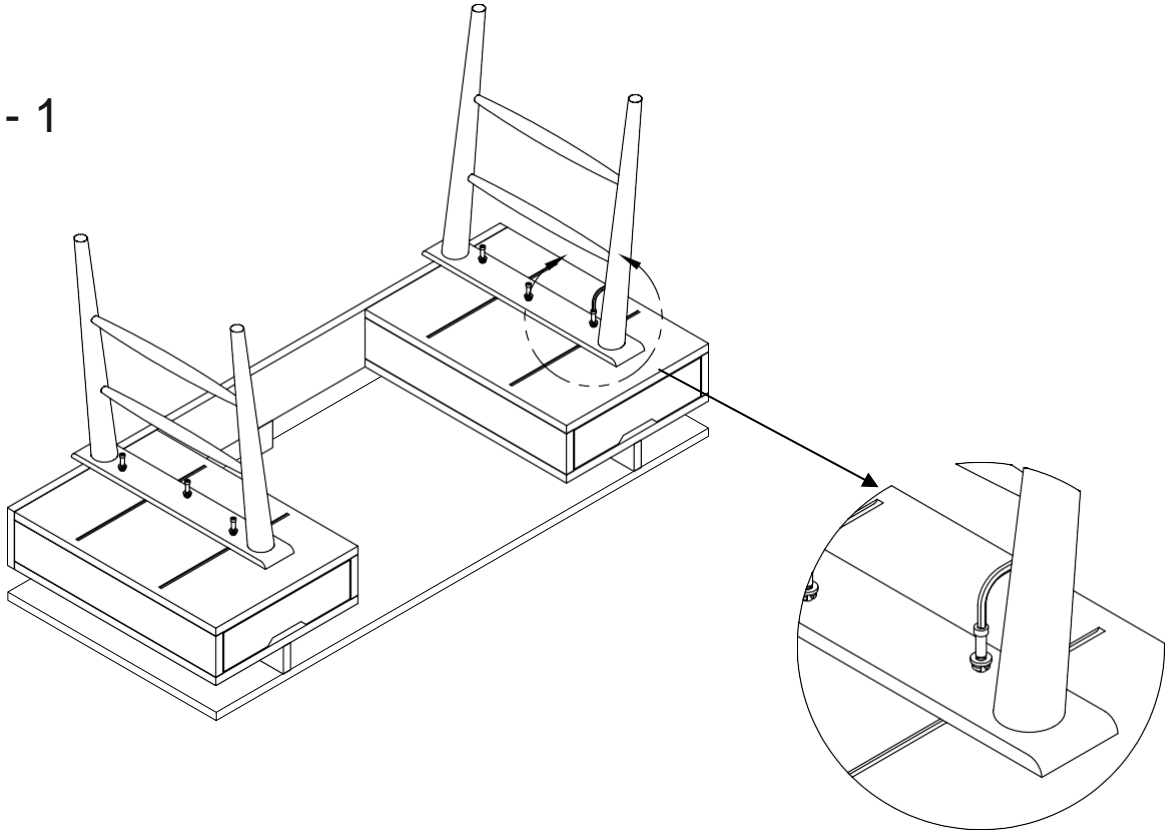
Label	Picture	Description	Size	Qty.
T-1		ALLEN KEY	5 mm	1 PC

# ASSEMBLY INSTRUCTIONS

## ITEM NO. 77263

**PROCESS-** Carefully remove all parts from the carton. Place the desk upside down on a flat surface. Align the stand into position. Insert one spring washer, flat washer and bolt at each side to attach legs and tighten all by provided allen key.

### STEP - 1



### STEP - FINAL

