
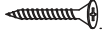
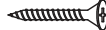


ASSEMBLY INSTRUCTIONS

ITEM NO.: I820-20
BOOKSHELF

Thank you for purchasing this quality product. Place all wooden parts on a clean and smooth surface such as a rug or carpet to avoid the parts from being scratched. Be sure to check all packing materials carefully for small parts may have come loose inside the carton during shipment, clarify and count all parts and compare with the parts list below. Do not tighten all screws / bolts until all completely assembled.

Parts List		
No.	Description	Q.ty
1	Top Panel	1PC
2	Shelf Panel 1	1PC
3	Shelf Panel 2	1PC
4	Bottom Panel	1PC
5	Top Back Panel	1PC
6	Back Panel	4PCS
7	Metal Leg	2PCS

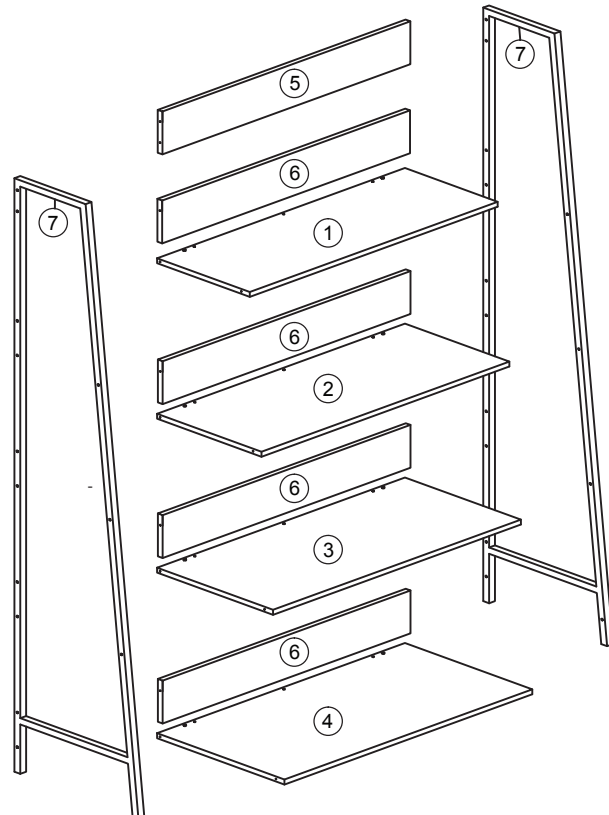
Hardware List				
No.	Description	Sketch	Size	Q.ty
A	Wood Dowels		M8x 30mm	8pcs
B	Screws		M4x 38mm	12pcs
C	Screws		M4x 45mm	28pcs

NOTE : YOU WILL ALSO NEED A SCREWDRIVER (NOT PROVIDED)

These parts are cumbersome and heavy. Therefore, two people are recommended in order to prevent personal injury and insure the parts are not damaged during the assembly.

Important Notes

- *Keep all hardware parts out of reach of children!
- *Tighten screws periodically! With the use of this product bolts and screws may become loose over time!
- *Don't attempt to modify parts!

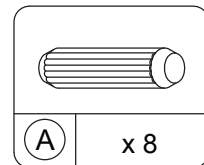
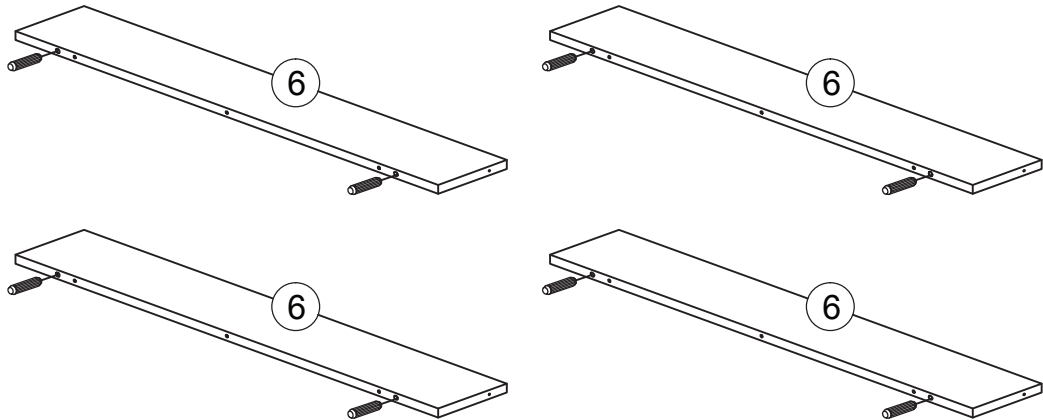


Cleaning instruction: Clean using soft cloth

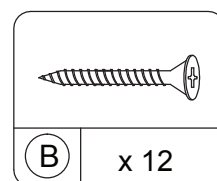
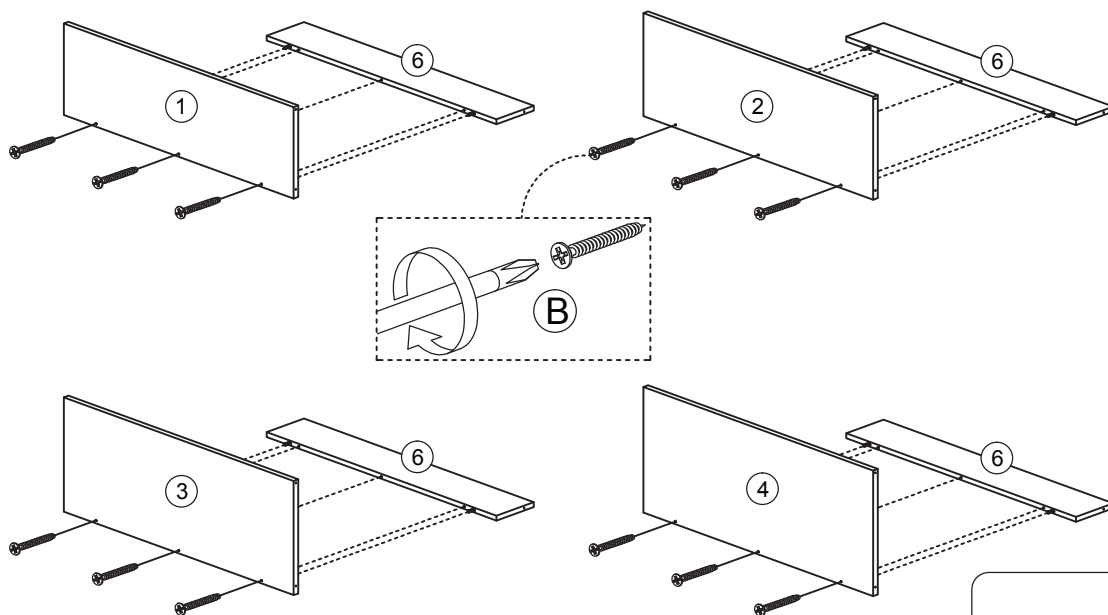
ASSEMBLY INSTRUCTIONS

ITEM NO.: I820-20
BOOKSHELF

STEP 1:



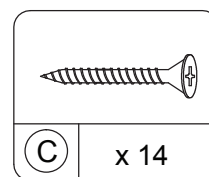
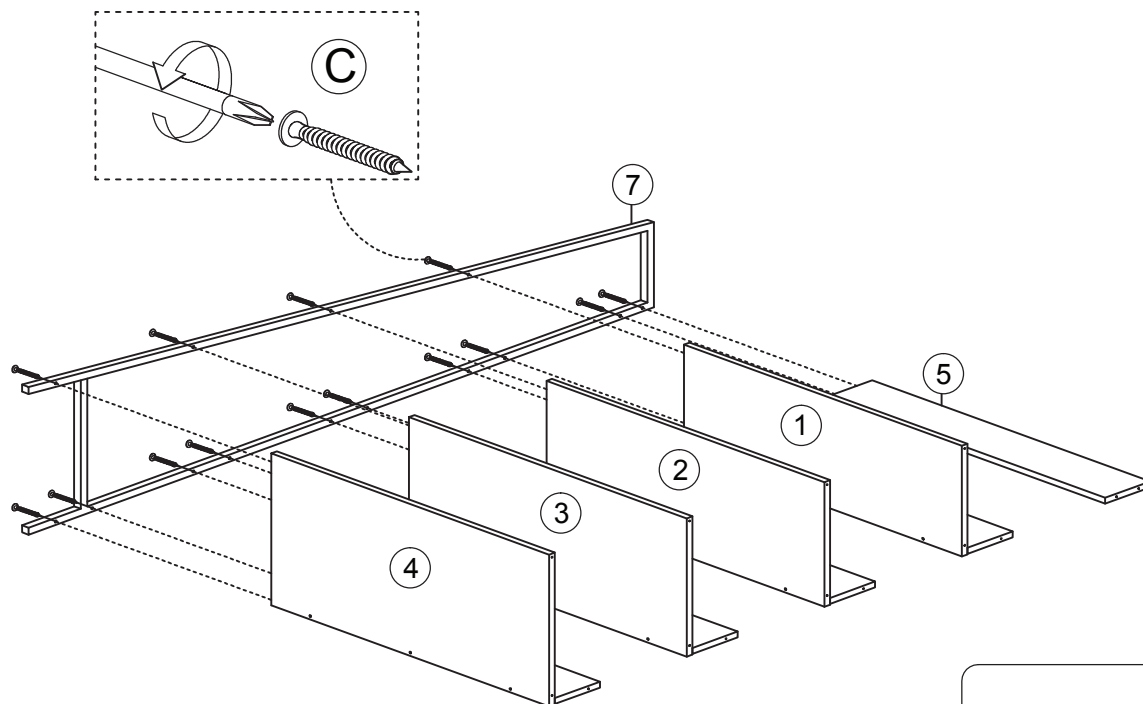
STEP 2:



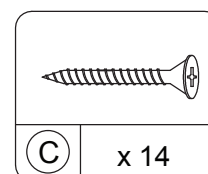
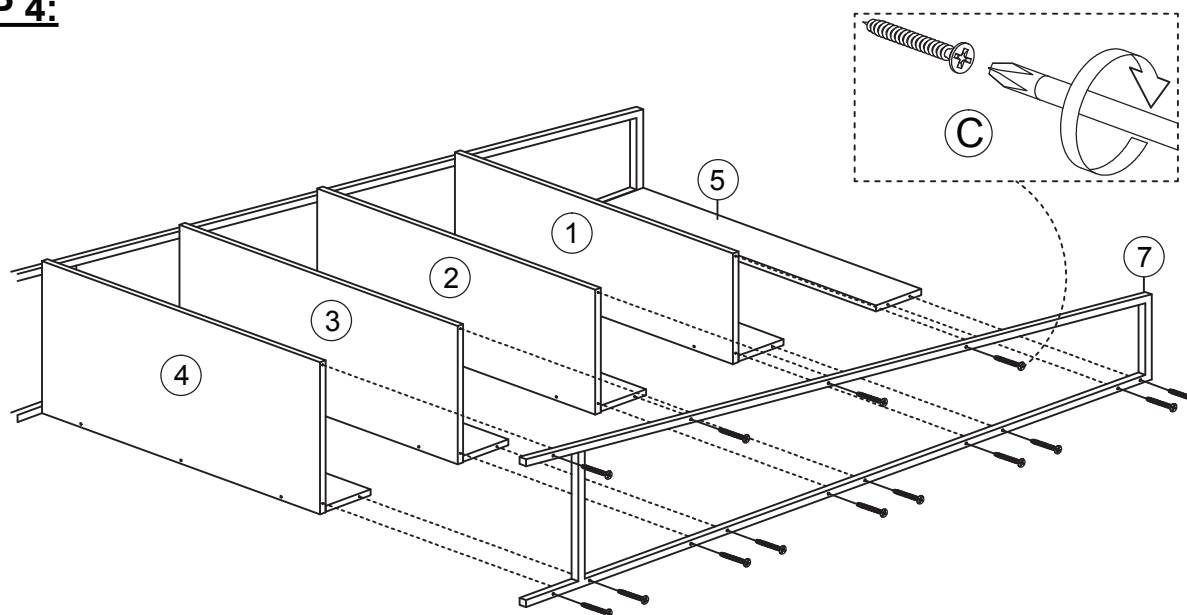
ASSEMBLY INSTRUCTIONS

ITEM NO.: I820-20
BOOKSHELF

STEP 3:



STEP 4:



ASSEMBLY INSTRUCTIONS

ITEM NO.: I820-20
BOOKSHELF

STEP 5:

