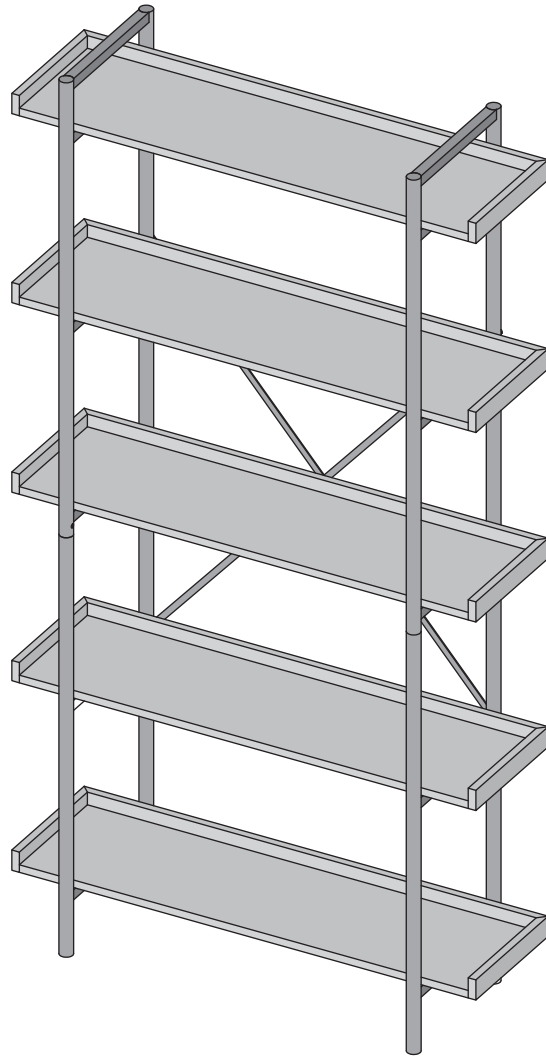


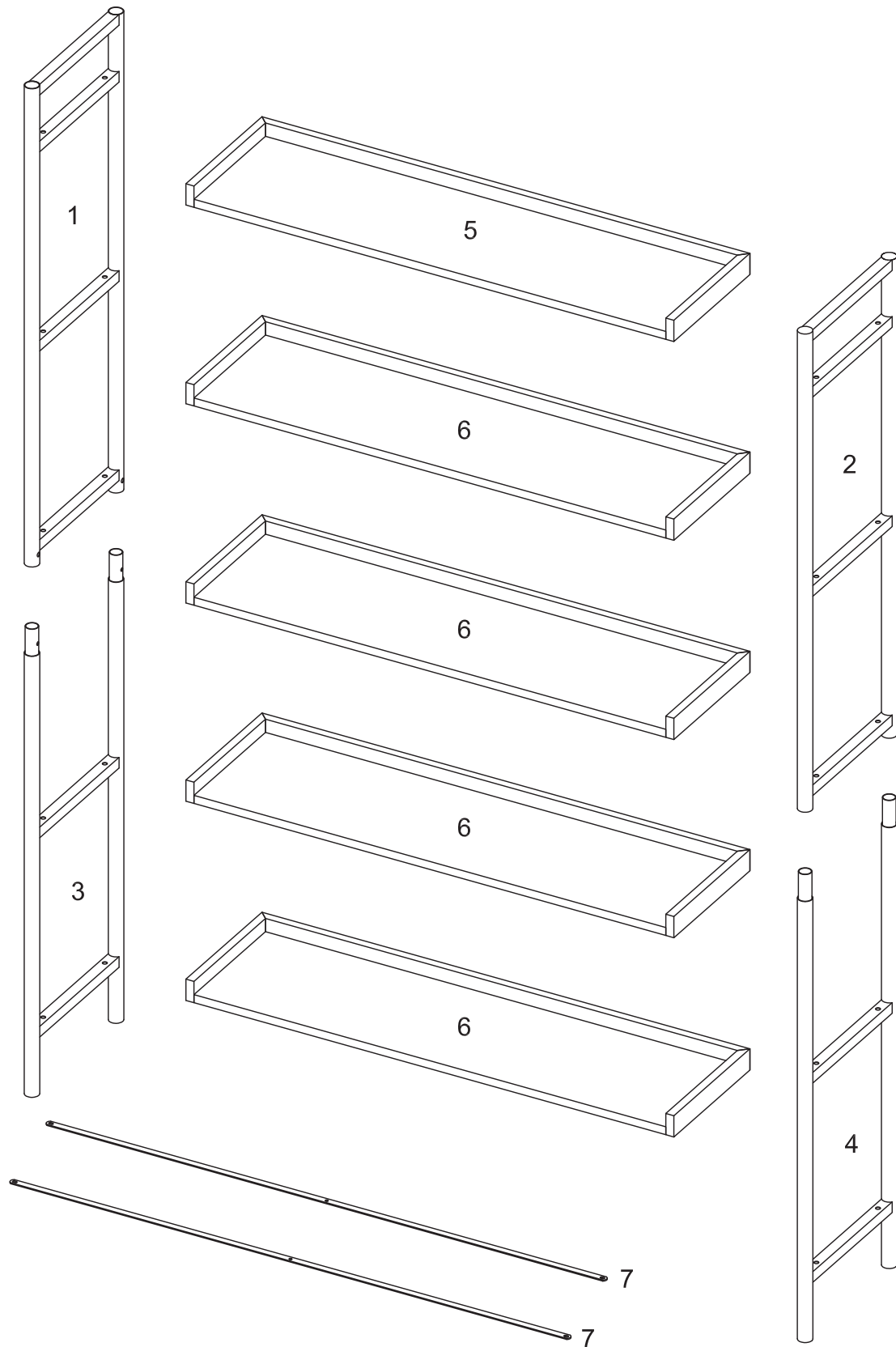
Item # : BS68UP  
Assembly Instructions




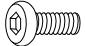
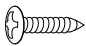





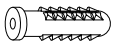


*For the most current instructions, additional assembly tips, to report damage or request parts, please visit our website at [www.walkerredison.com](http://www.walkerredison.com).*

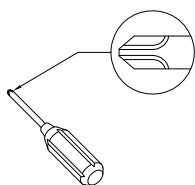
Revised 03/2017

# Parts List



# Hardware List

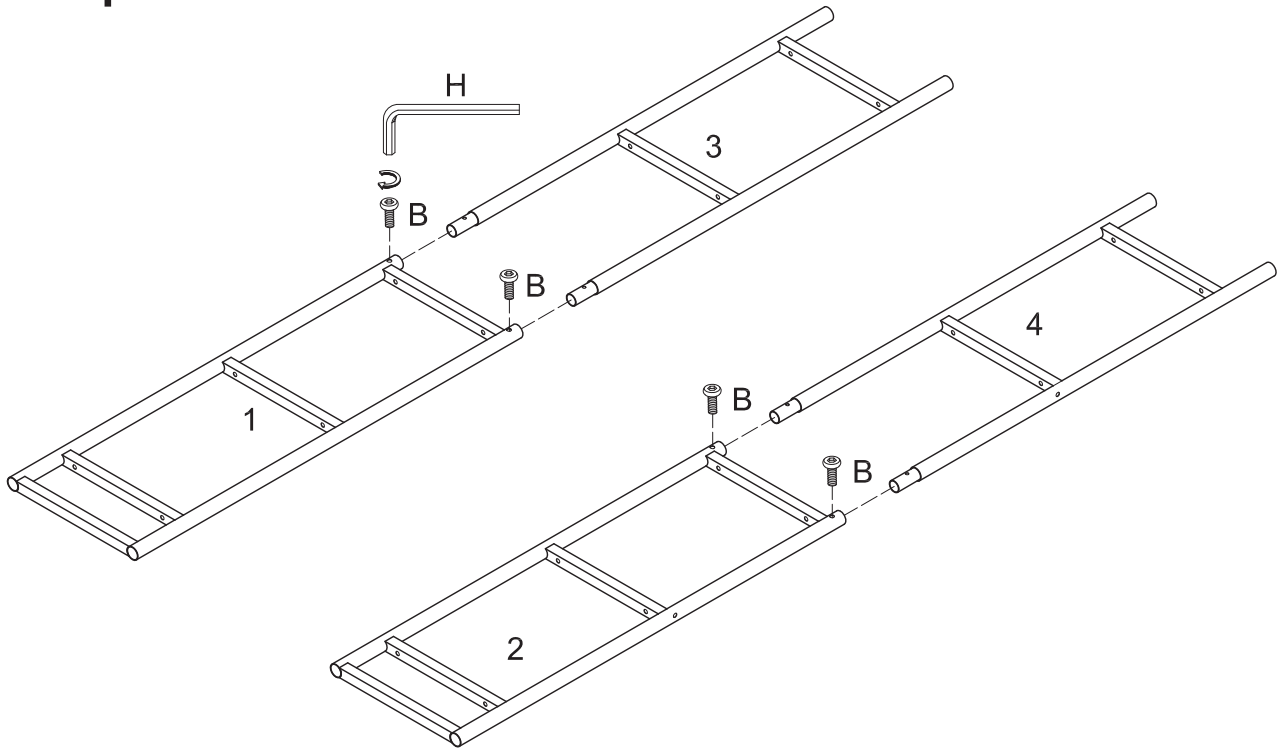
A		Ø1/4"*30mm	Bolt	20 pcs
B		Ø1/4"*12mm	Bolt	5 pcs
C		Ø4*12mm	Screw	4 pcs
D		M4*10mm	Bolt	1 pc
E		M4mm	Nut	1 pc
F			L shape bracket	1 pc
G			Wrench	1 pc
H		M4*55mm	Wrench	1 pc
I			Wall anchor	1 pc
J		Ø4*30mm	Screw	1 pc
K		Ø16*6.5*1.0mm	Washer	1 pc



Philips head screwdriver required for assembly  
(not included)

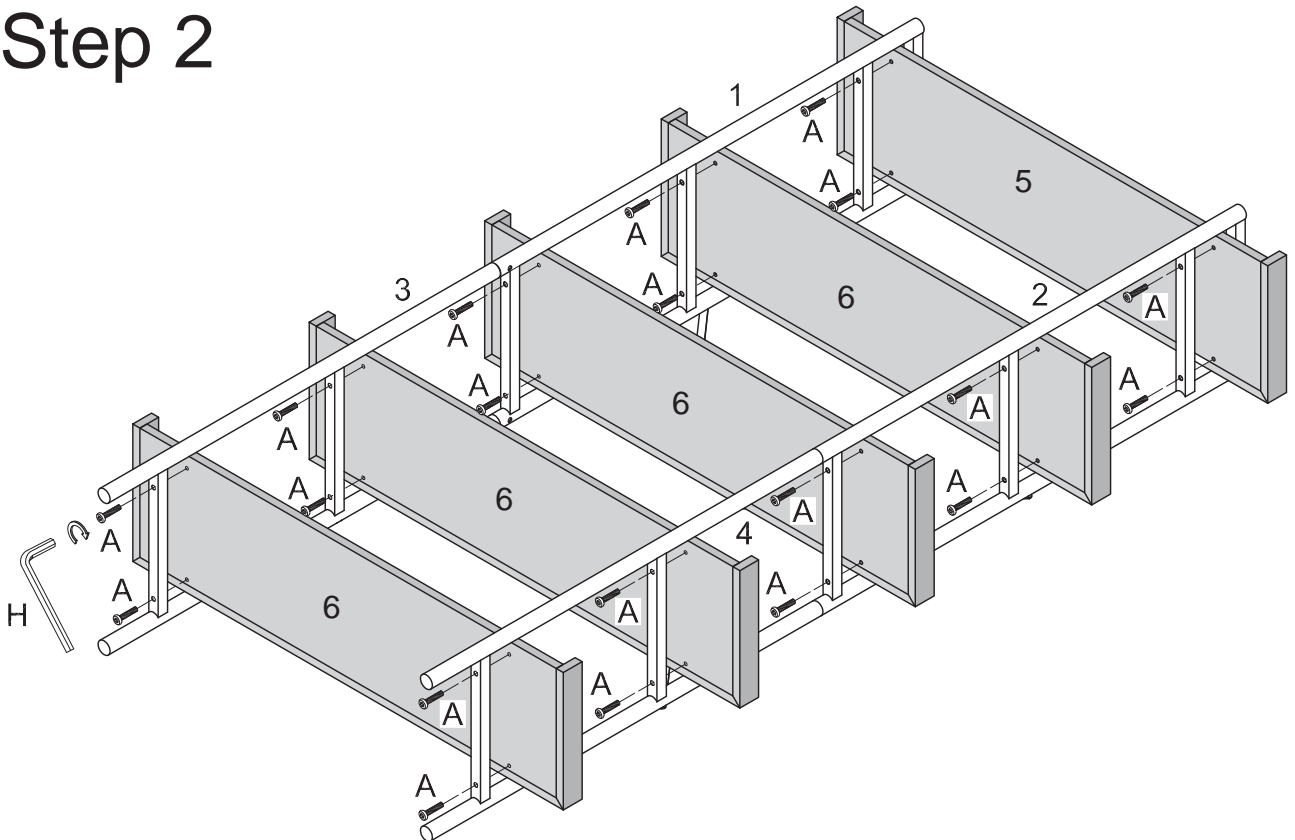
*The hardware quantities listed above are required for proper assembly.  
Some extra hardware may also have been included.*

# Step 1



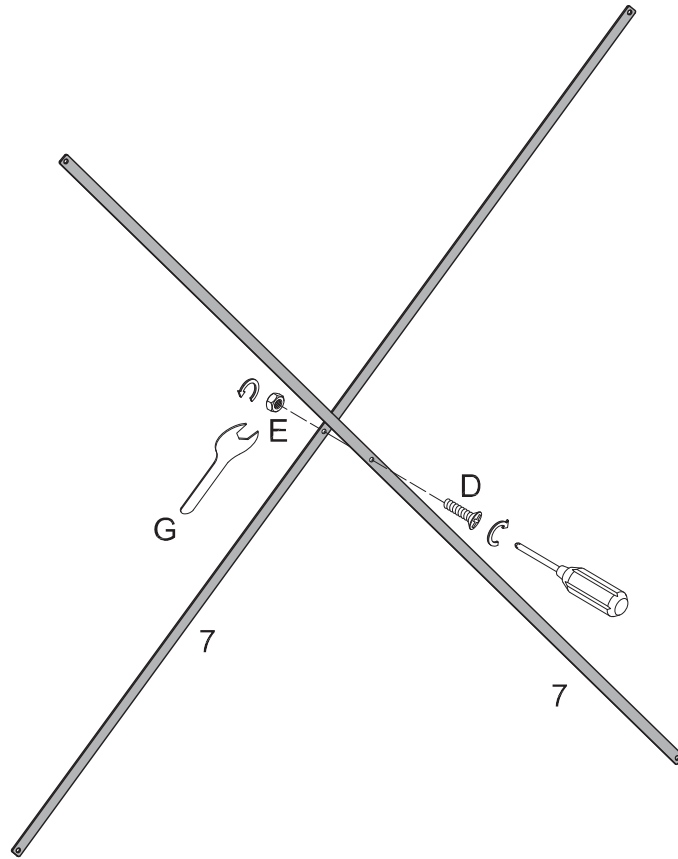
Insert the upper side frames (3)(4) into lower side frames (1)(2) and use wrench (H), bolt (B) to secure each side frame together.

# Step 2



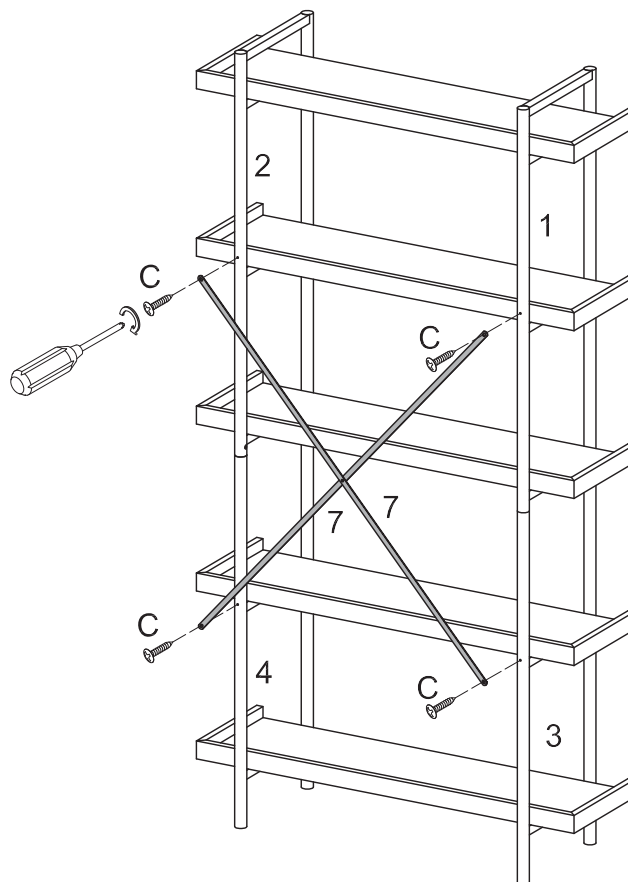
Place the shelf (5,6) as per diagram, and use wrench (H), bolt (A) to secure the side frame (1,2,3,4) to shelf (5,6).

## Step 3



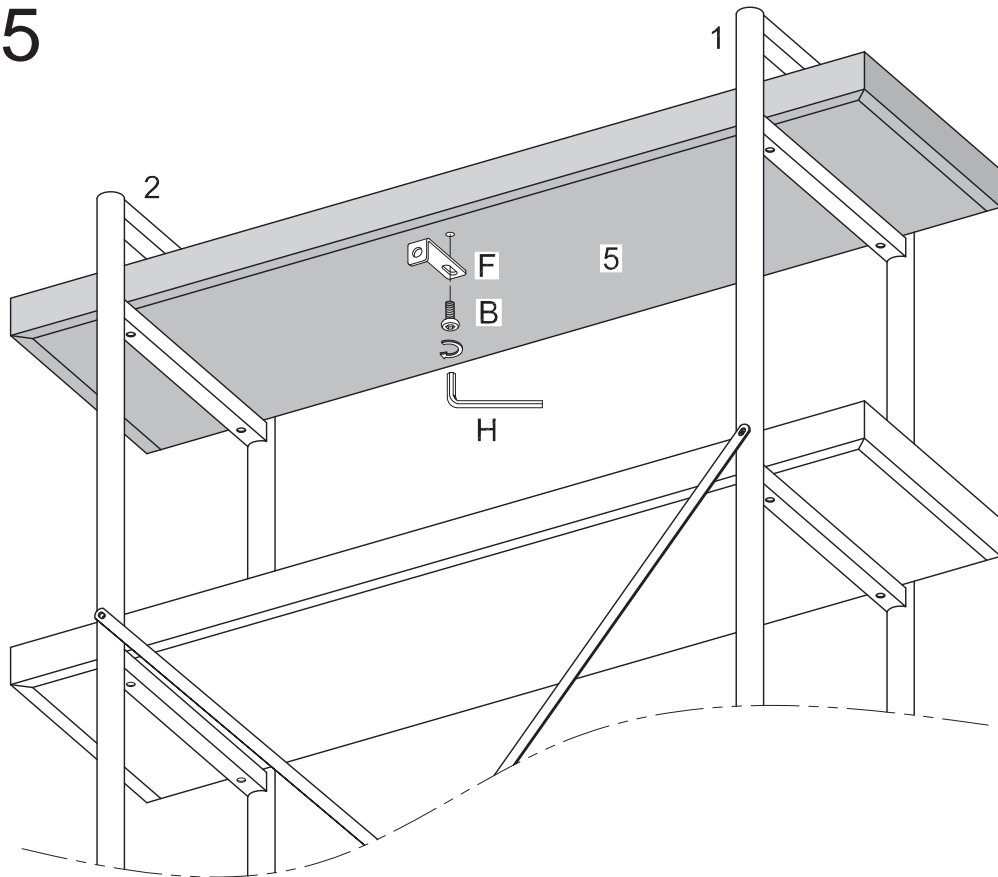
Secure bolt (D), and nut (E) by using wrench (G) to the cross bar (7).

## Step 4



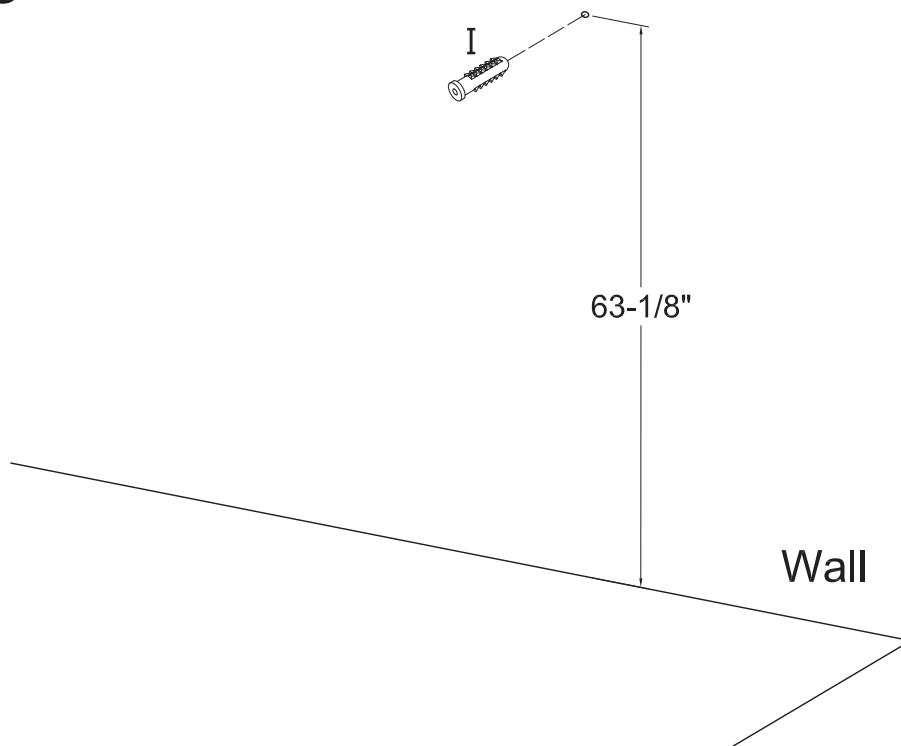
Secure screw (C), cross bar (7) to the back of the side frame (1,2,3,4).

## Step 5



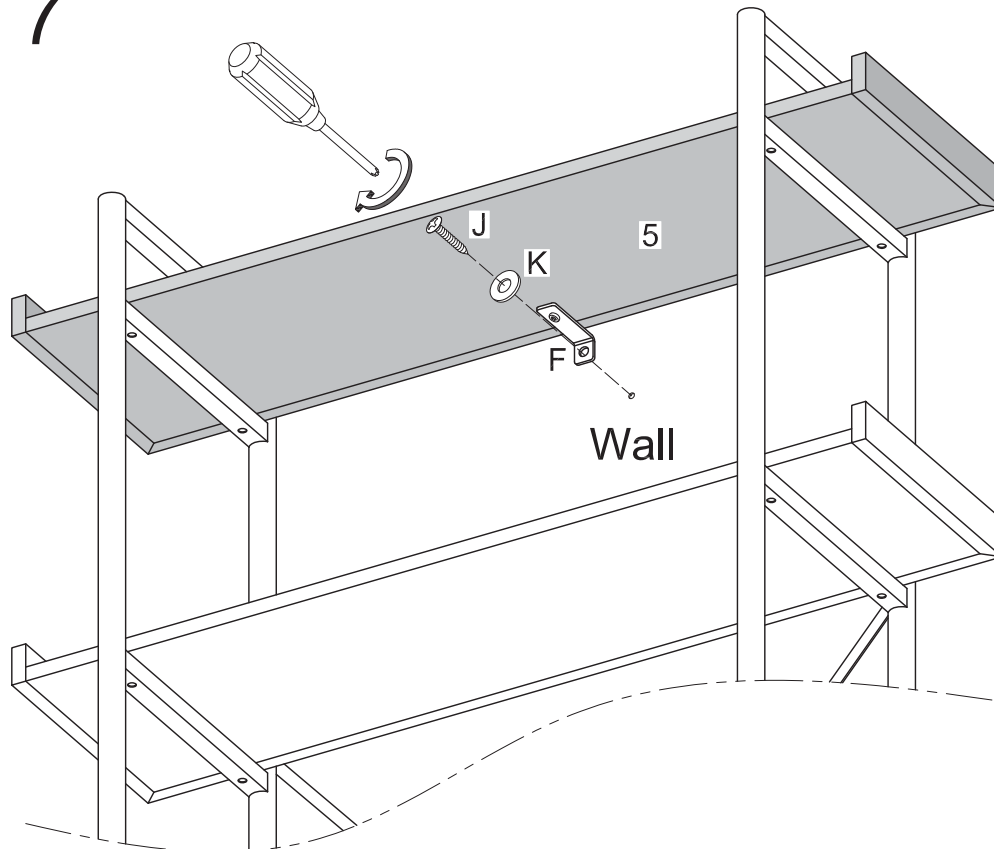
Use wrench (H), bolt (B) to secure the L shape bracket (F) to the shelf (5).

## Step 6



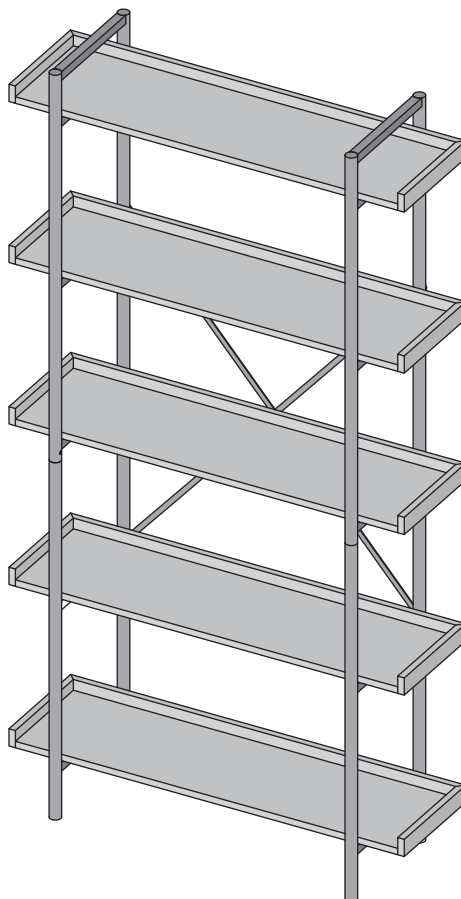
Insert the wall anchor (I) to the wall as per diagram.

## Step 7



Secure the screw (J), washer (K), and L shape bracket (F) to the wall as per diagram.

## Step 8



### Final Assembly