



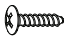


ASSEMBLY INSTRUCTIONS

ITEM NO.: T147-20
Bookcase

Thank you for purchasing this quality product. Place all wooden parts on a clean and smooth surface such as a rug or carpet to avoid the parts from being scratched. Be sure to check all packing materials carefully for small parts may have come loose inside the carton during shipment, clarify and count all parts and compare with the parts list below. Do not tighten all screws / bolts until all completely assembled.

Parts List		
No.	Description	Q.ty
A	Upper left side frame	1PC
B	Lower left side frame	1PC
C	Upper right side frame	1PC
D	Lower right side frame	1PC
E	Lower Crossbar	2PCS
F	Upper Crossbar	2PCS
G	Top Panel	1PC
H	Shelf #1	1PC
I	Shelf #2	1PC
J	Shelf #3	1PC
K	Drawer Storage Box	1PC
L	Bottom Panel	1PC

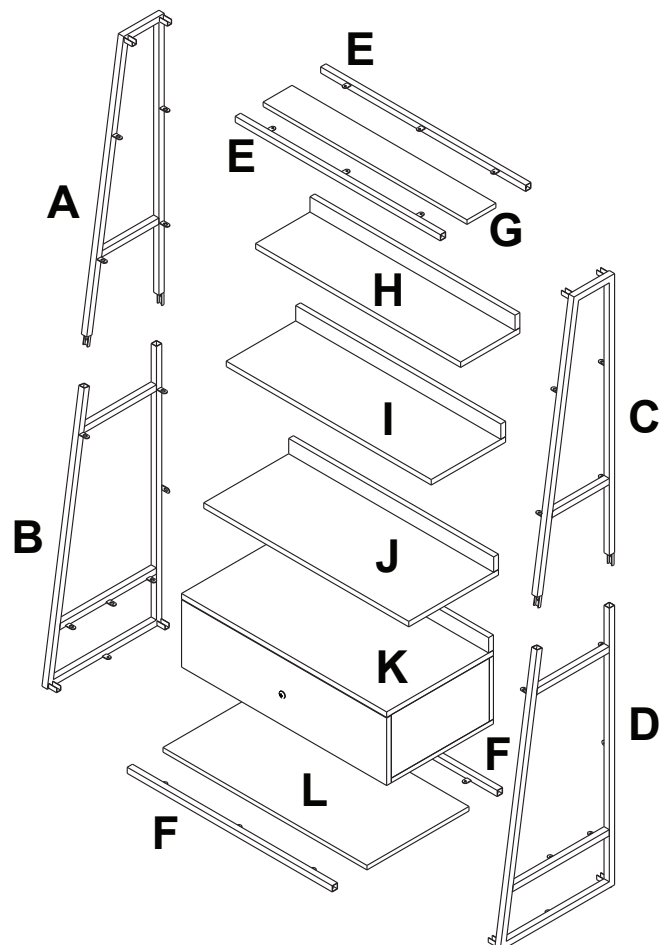
Hardware List				
No.	Description	Sketch	Size	Q.ty
1	Allen Key		M4	1pc
2	Allen Bolt		1/4" x 16mm	32pcs
3	Spring Washer		Ø12 x 1/4" x 1mm	32pcs
4	Flat Washer		Ø16 x 1/4" x 2mm	32pcs
5	Screws		#4 x 12mm	14pcs
6	Anti-tip kit	Attached inside the drawer box		1SET

**NOTE : YOU WILL ALSO NEED A
SCREWDRIVER (NOT PROVIDED)**

These parts are cumbersome and heavy. Therefore, two people are recommended in order to prevent personal injury and insure the parts are not damaged during the assembly.

△ Important Notes

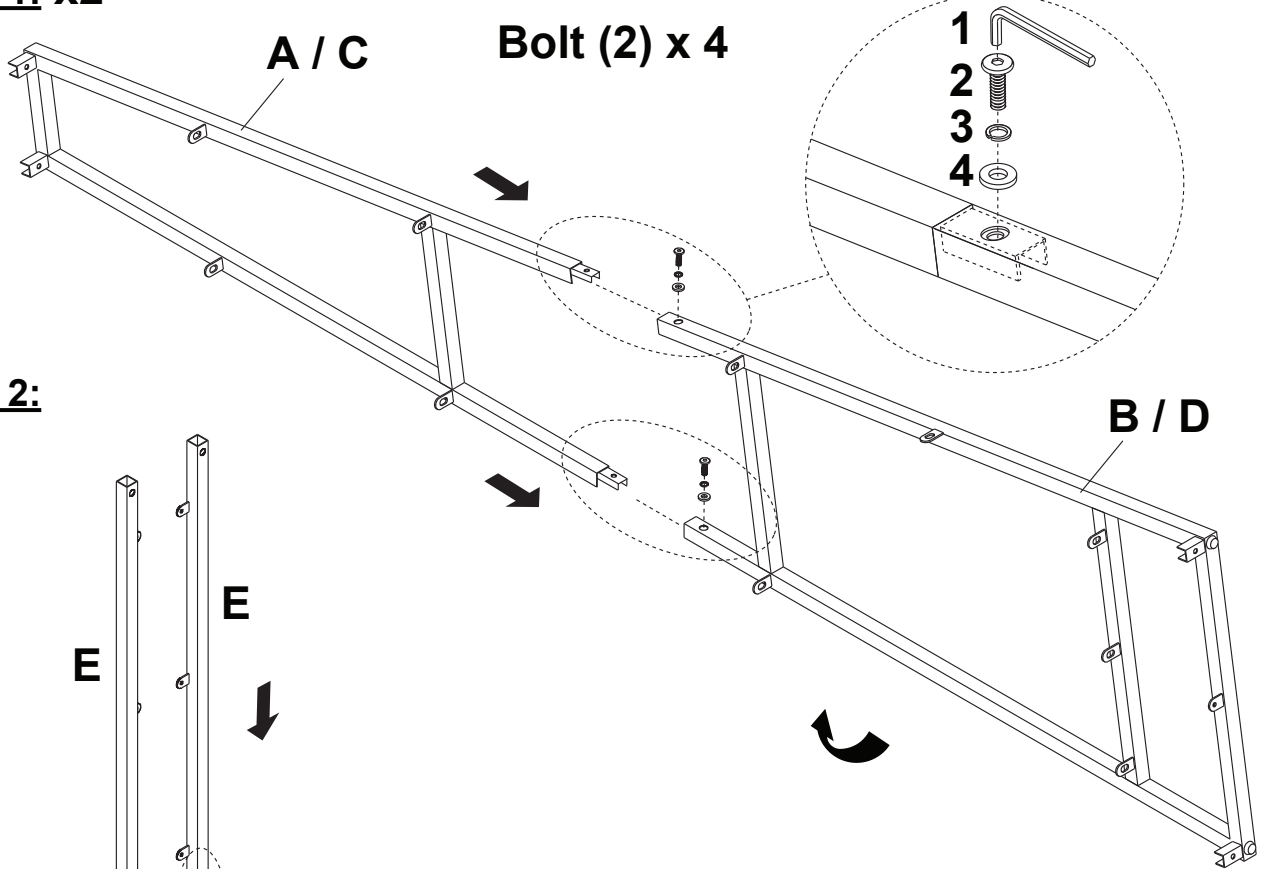
- *Keep all hardware parts out of reach of children!
- *Tighten screws periodically! With the use of this product bolts and screws may become loose over time!
- *Don't attempt to modify parts!



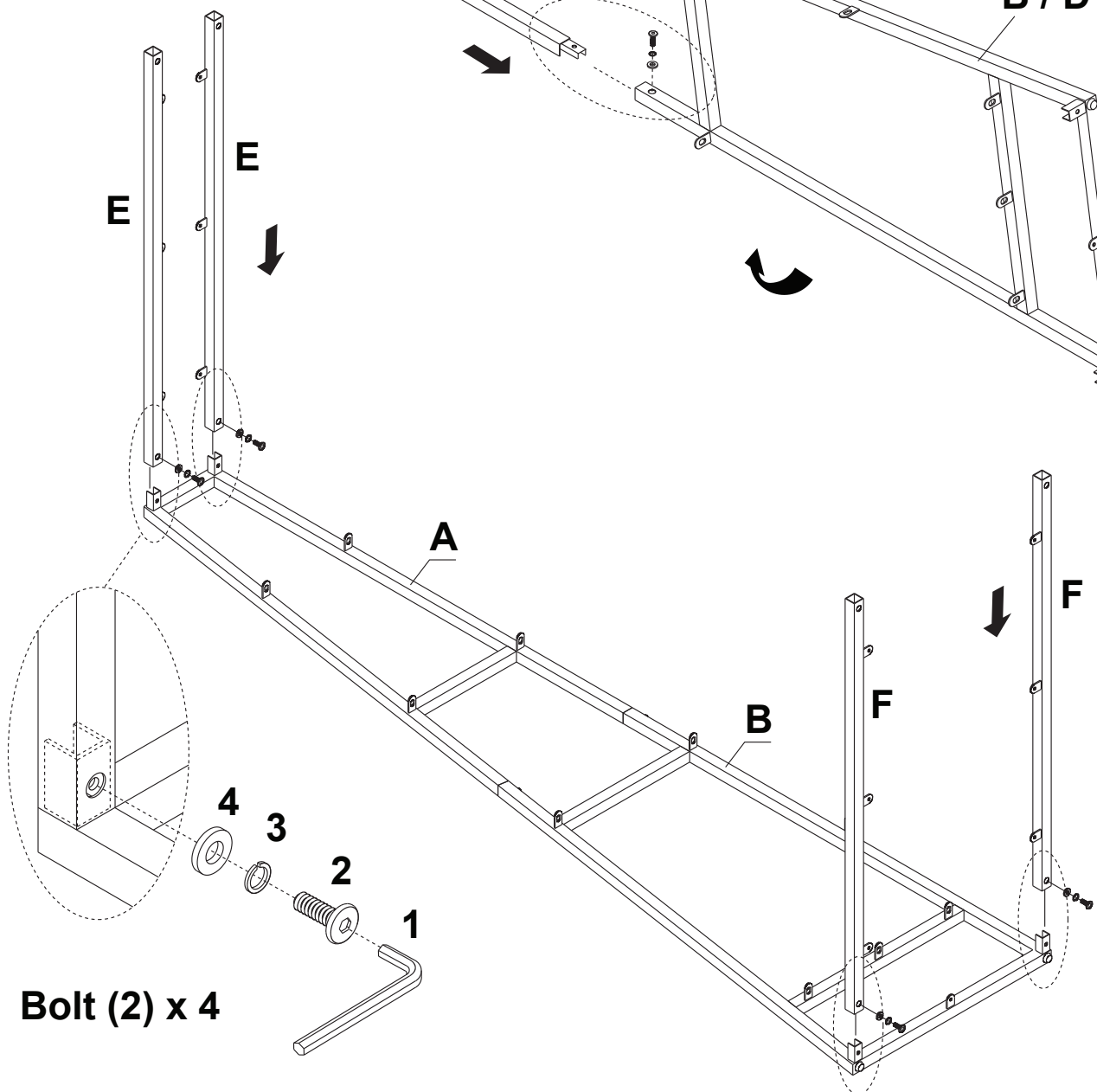
ASSEMBLY INSTRUCTIONS

ITEM NO.: T147-20
Bookcase

STEP 1: x2



STEP 2:

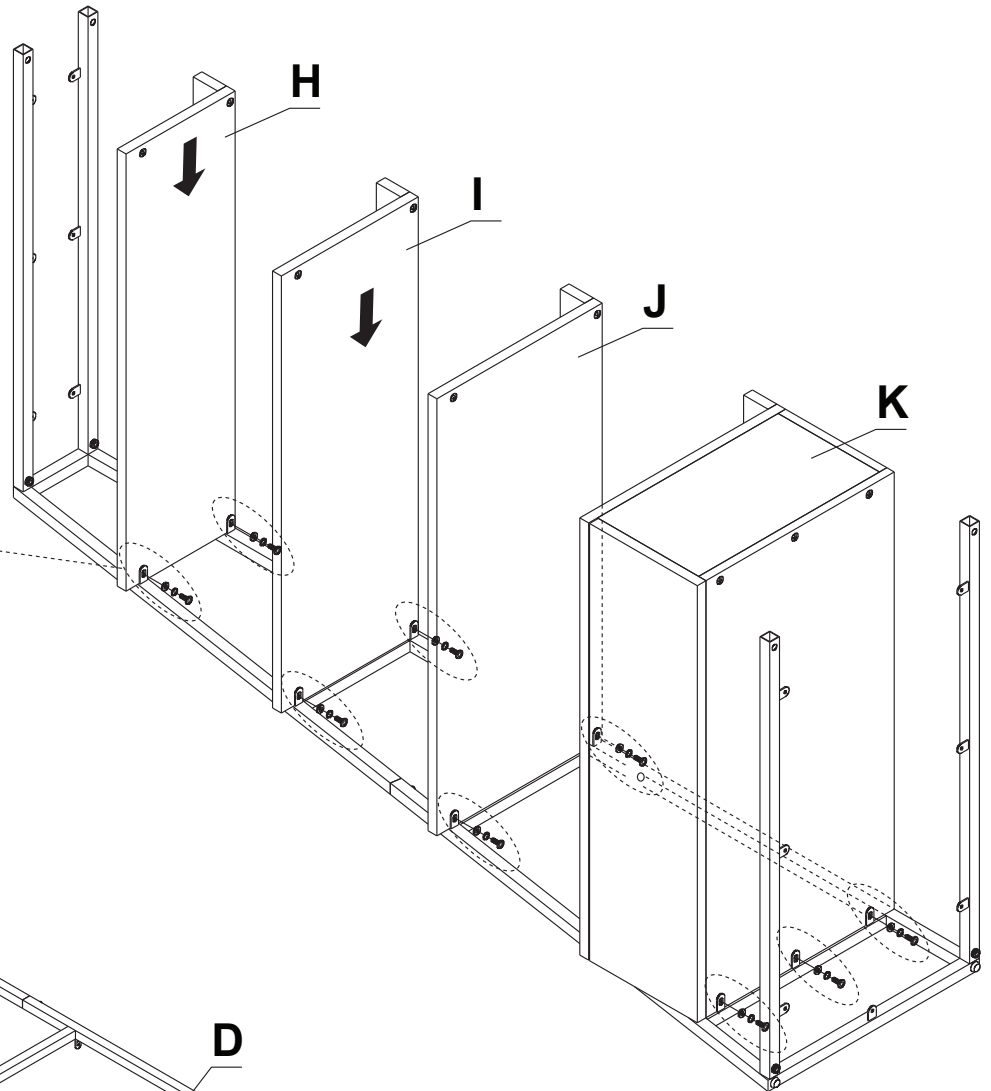
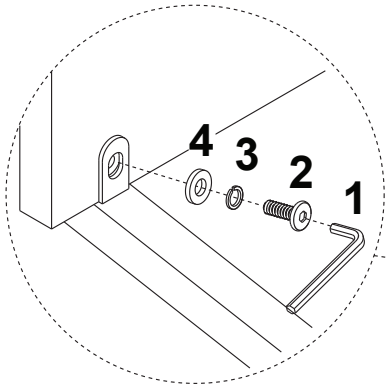


ASSEMBLY INSTRUCTIONS

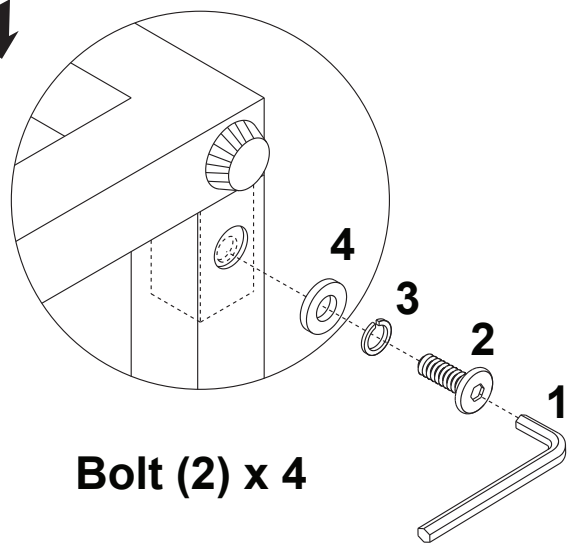
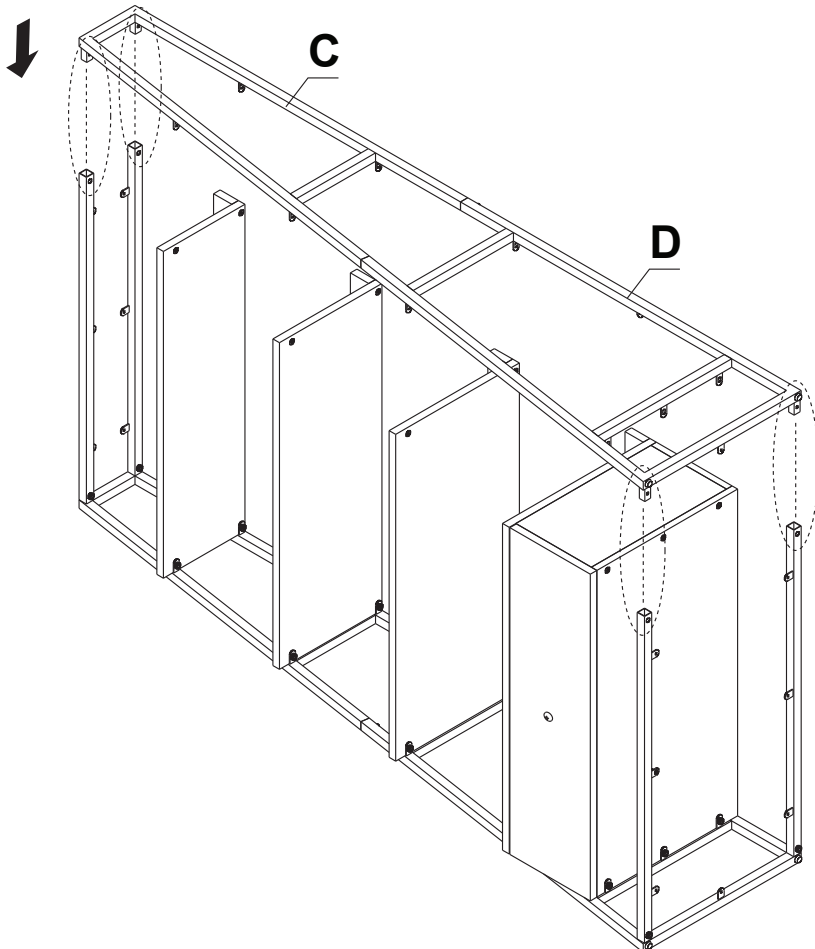
ITEM NO.: T147-20
Bookcase

STEP 3:

Bolt (2) x 9



STEP 4:



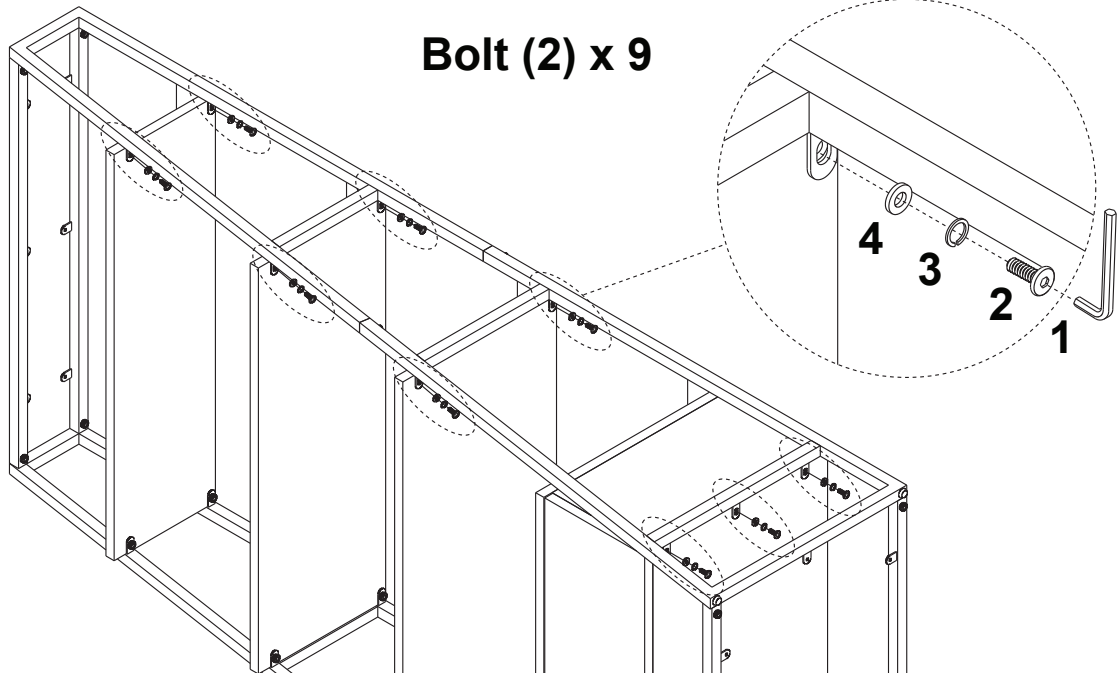
Cleaning instruction: Clean using soft cloth

Made in Vietnam

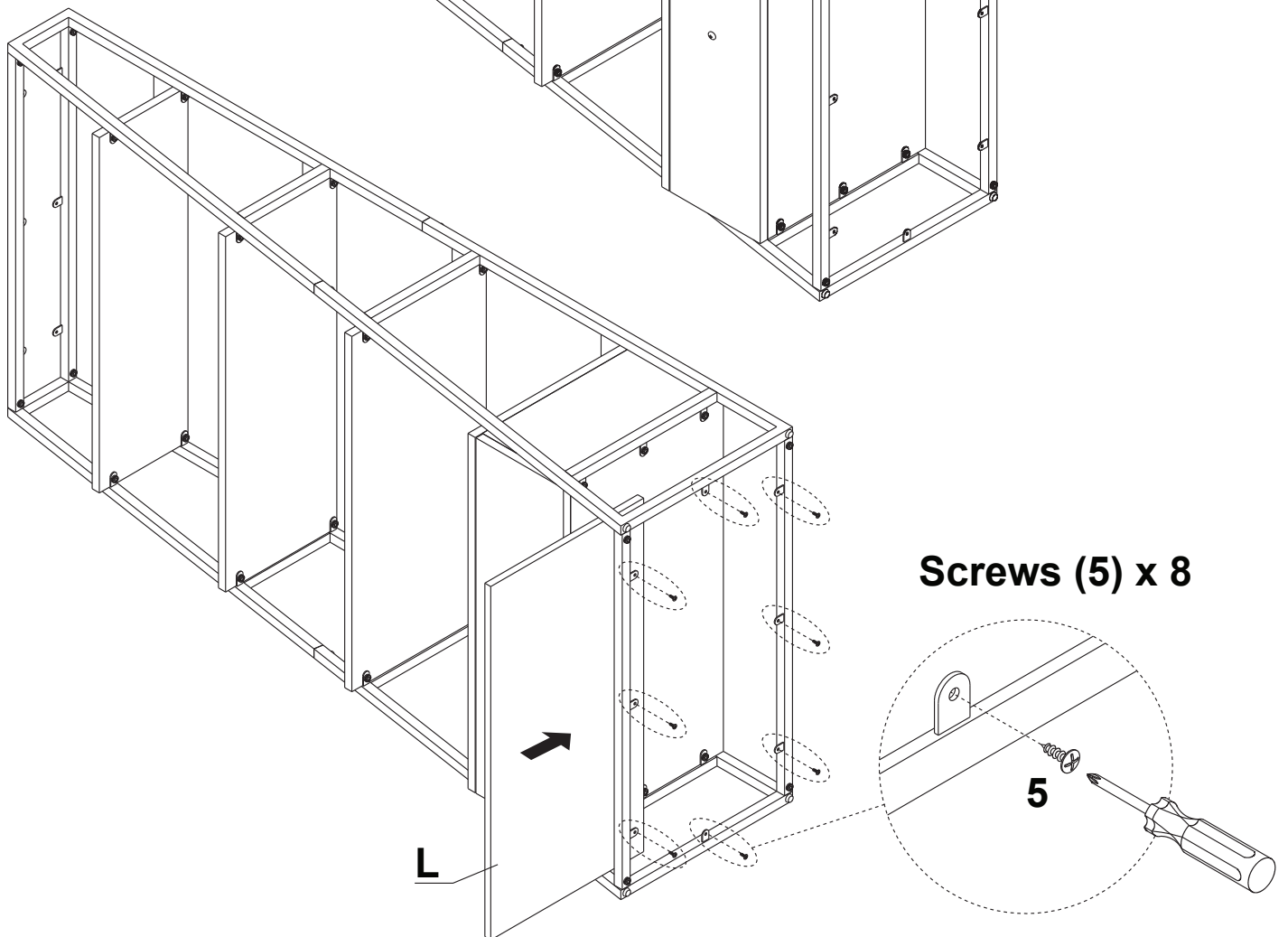
ASSEMBLY INSTRUCTIONS

ITEM NO.: T147-20
Bookcase

STEP 5:



STEP 6:



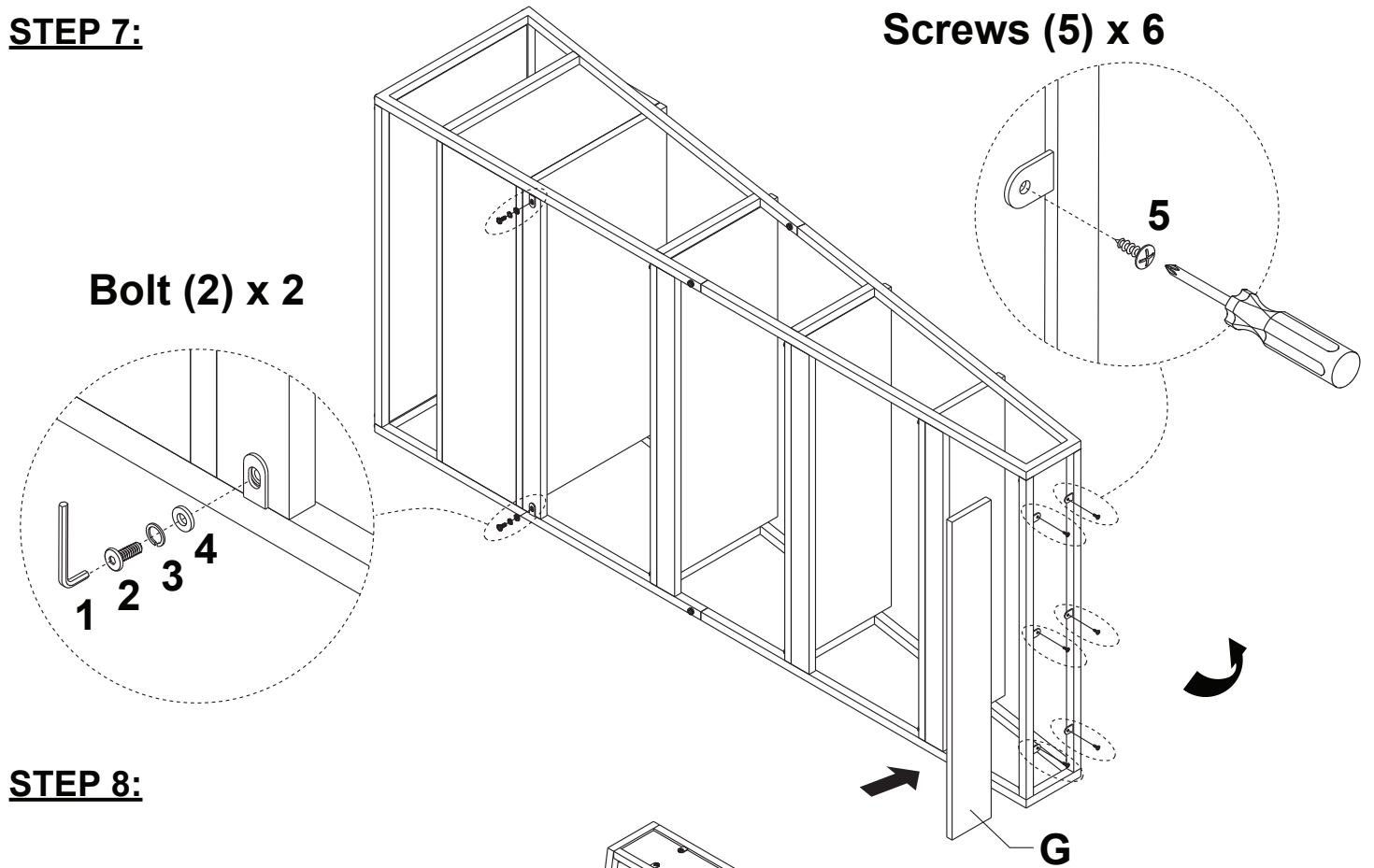
Cleaning instruction: Clean using soft cloth

Made in Vietnam

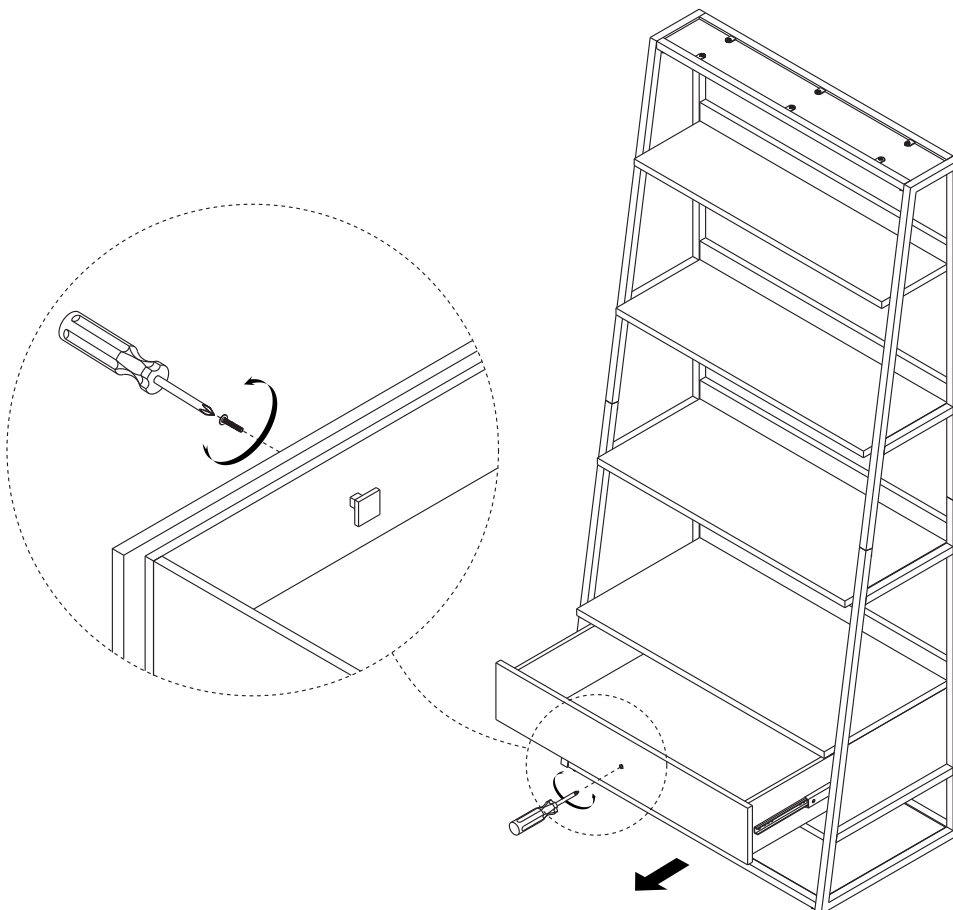
ASSEMBLY INSTRUCTIONS

ITEM NO.: T147-20
Bookcase

STEP 7:



STEP 8:



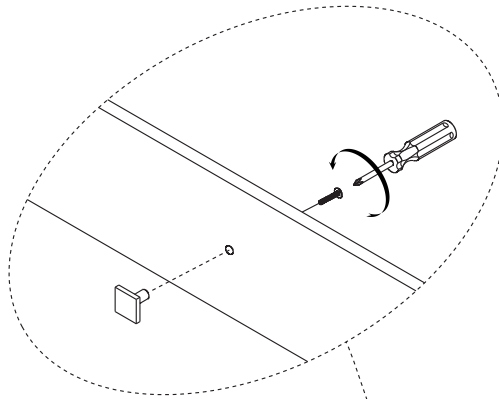
Cleaning instruction: Clean using soft cloth

Made in Vietnam

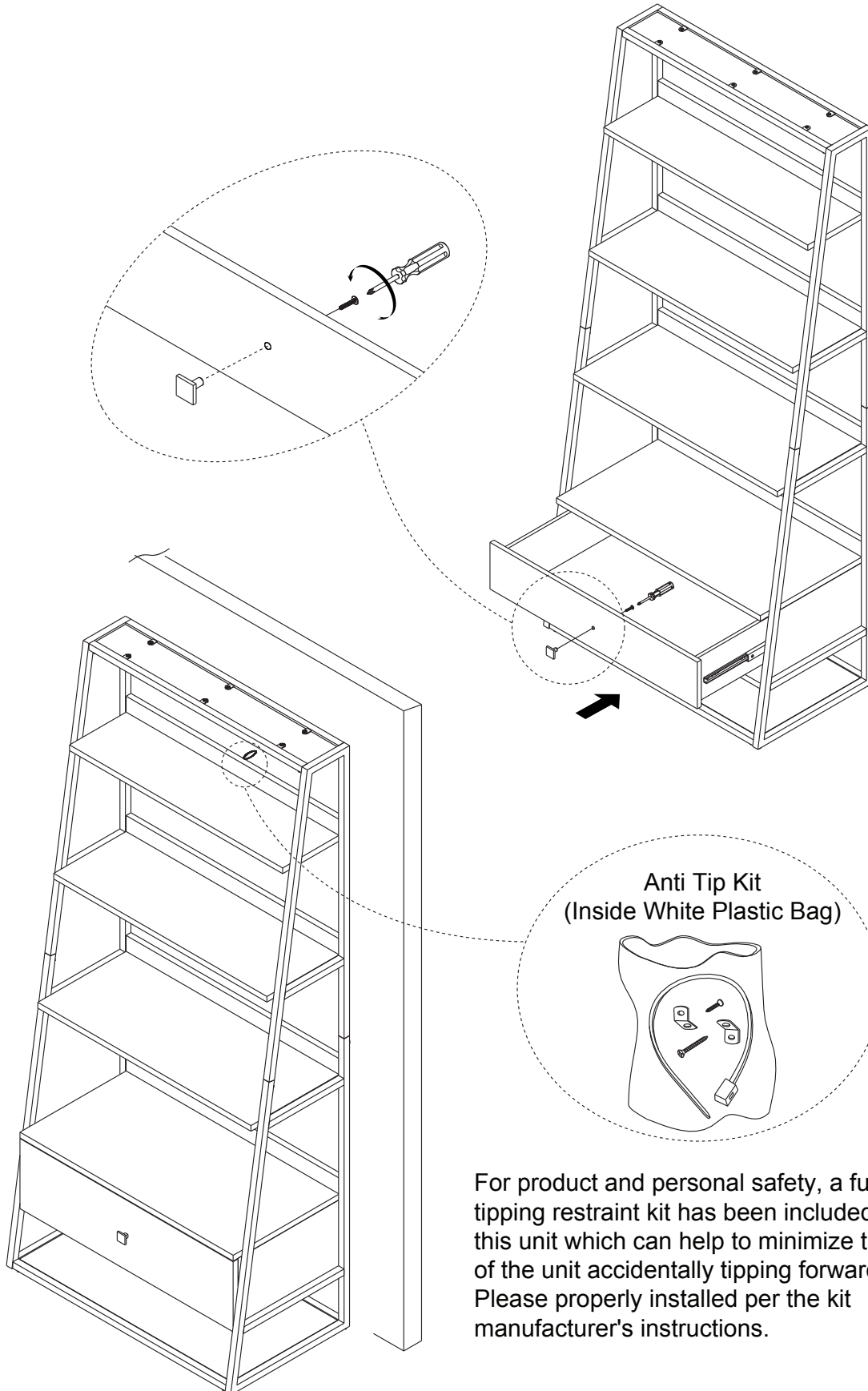
ASSEMBLY INSTRUCTIONS

ITEM NO.: T147-20
Bookcase

STEP 9:



STEP 10:



For product and personal safety, a furniture tipping restraint kit has been included with this unit which can help to minimize the risk of the unit accidentally tipping forward. Please properly installed per the kit manufacturer's instructions.