

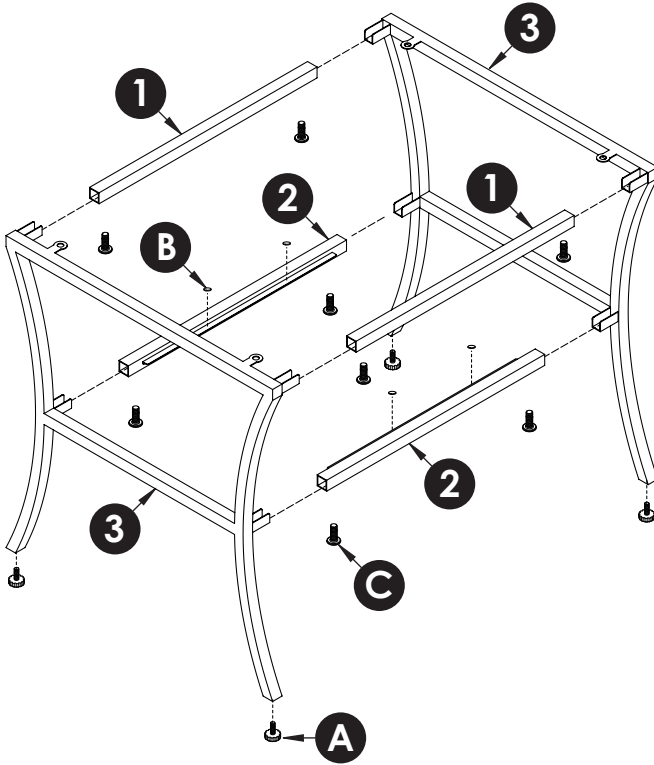
# ASSEMBLY INSTRUCTIONS

ITEM NO.: I619-04 END TABLE

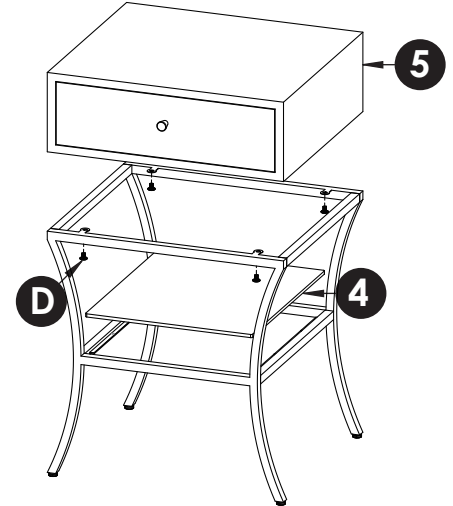
Thank you for purchasing this quality product. Be sure to check all packing materials carefully for small parts may have come loose inside the carton during shipment, clarify and count all parts and compare with the parts list below.

Do not completely tighten until the item has been fully assembled.

## STEP 1.


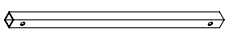



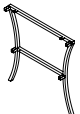



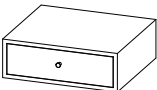


## STEP 2.



### △ Important Notes

- \*Keep all hardware parts out of reach of children!
- \*Tighten screws periodically! With the use of this product bolts and screws may become loose over time!
- \*Don't attempt to modify parts!

HARDWARE LIST					PARTS LIST			
A		FOOT PAD	Ø3/16"x13mm	4 pcs	1		METAL TUBE	2 pcs
B		GLASS PAD		4 pcs	2		METAL TUBE	2 pcs
C		BOLT	Ø1/4"x12mm	8 pcs	3		METAL FRAME	2 pcs
D		BOLT	Ø1/4"x9mm	4 pcs	4		GLASS	1 pc
E		ALLEN KEY		1 pc	5		WOOD DRAWER	1 pc

Cleaning Instruction: Clean the table surface with a furniture polish and a soft cloth.

Made In Taiwan