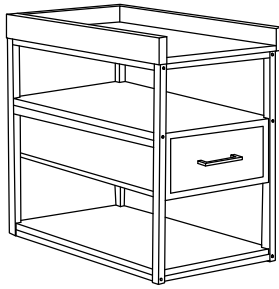


# ASSEMBLY INSTRUCTION

Item No: T400 - 10

Description: CHAIR SIDE TABLE



### IMPORTANT NOTE :

- Place all wooden parts on a clean and smooth surface such as a rug or carpet to avoid the parts from being scratched.
- Check to be sure that you have all parts and hardware.
- Remove all wrapping materials , including staples & packing straps before you start to assemble.
- Do not tighten all screws/bolts until all completely assembled.
- Keep all hardware parts out of reach of children !
- Tighten screws periodically ! With the use of this product bolts and screw may become loose over time !
- Don't attempt to modify parts !

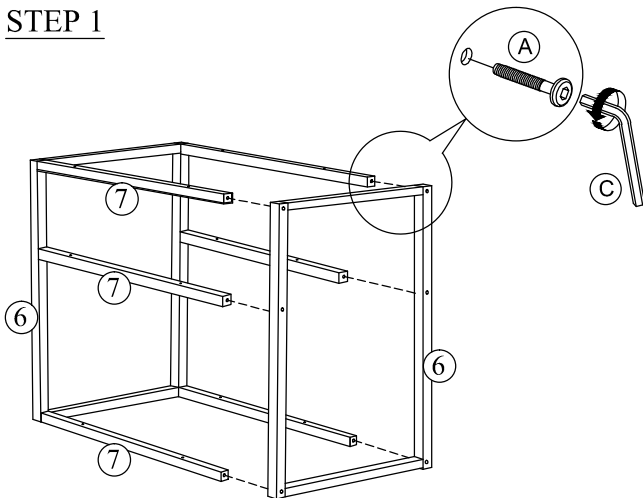
### PARTS LIST

NO.	COMPONENT	QTY.
1	Back Panel Rack	1 pc
2	Side Panel Rack	2 pcs
3	Bottom Panel Rack	1 pc
4	Drawer Box Assembly	1 pc
5	Bottom Panel	1 pc
6	Leg Frame	2 pcs
7	Rail Support	6 pcs

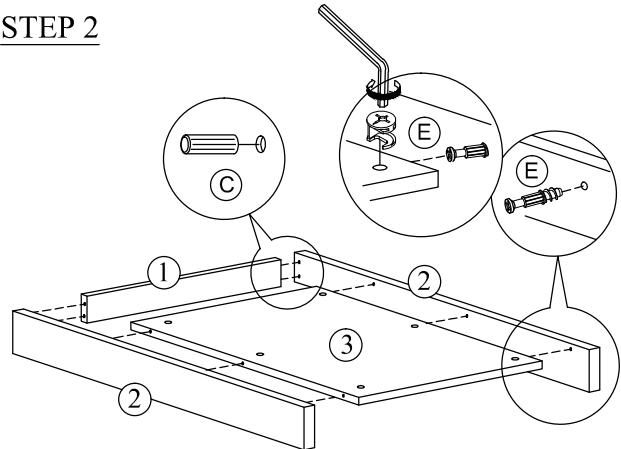
### HARDWARE LIST

NO.	COMPONENT	QTY.
A	JCBC Bolt M6 x 40mm	12 pcs
B	CB Screw M4 x 32mm	12 pcs
C	Allen Key	1 pc
D	Wood Dowel M8 x 30 mm	4 pcs
E	Minifix 32mm (2 in 1)	6 sets

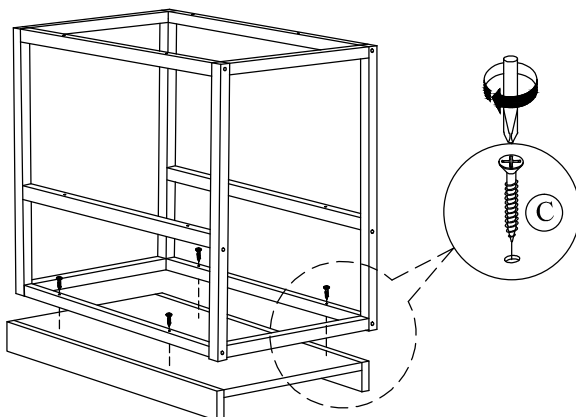
### STEP 1



### STEP 2



### STEP 3



### STEP 4

