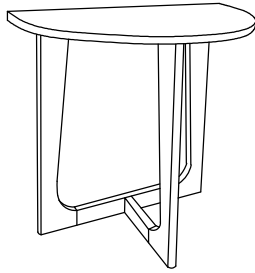


ASSEMBLY INSTRUCTION





Item No: T400 - 12

Description: CHAIR SIDE TABLE



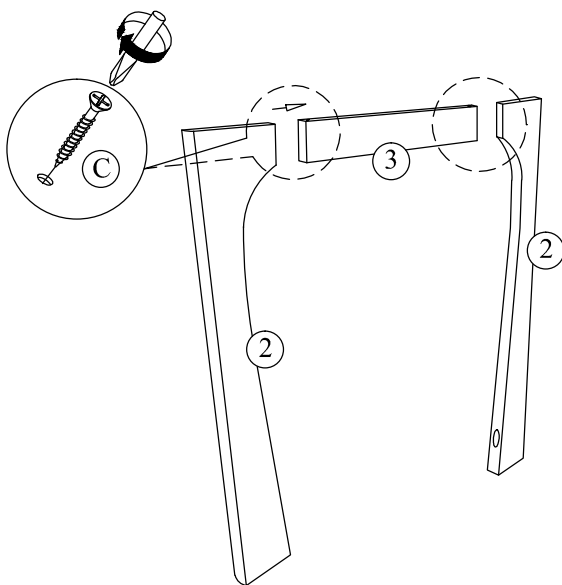
IMPORTANT NOTE :

- Place all wooden parts on a clean and smooth surface such as a rug or carpet to avoid the parts from being scratched.
- Check to be sure that you have all parts and hardware.
- Remove all wrapping materials , including staples & packing straps before you start to assemble.
- Do not tighten all screws/bolts until all completely assembled.
- Keep all hardware parts out of reach of children !
- Tighten screws periodically ! With the use of this product bolts and screw may become loose over time !
- Don't attempt to modify parts !

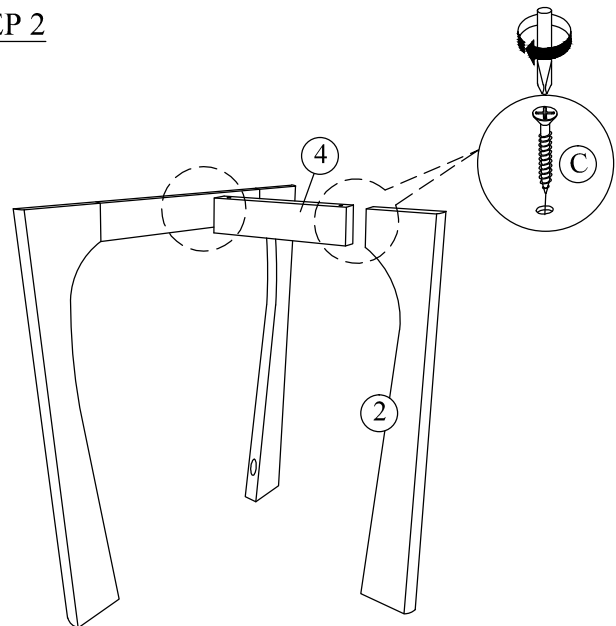
| PARTS LIST | | |
|------------|---|-------|
| NO. | COMPONENT | QTY. |
| 1 | Side Table Top  | 1 pc |
| 2 | Table Leg  | 3 pcs |
| 3 | Leg Support - Long  | 1 pc |
| 4 | Leg Support - Short  | 1 pc |

| HARDWARE LIST | | |
|---------------|---|-------|
| NO. | COMPONENT | QTY. |
| A | JCBC Bolt M6 x 40mm  | 3 pcs |
| B | 1/4" Spring Washer  | 3 pcs |
| C | CB Screw M4 x 38mm  | 4 pcs |
| D | Allen Key  | 1 pc |

STEP 1



STEP 2



STEP 3

