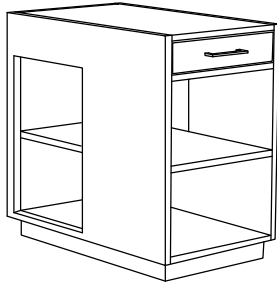


ASSEMBLY INSTRUCTION

Item No: T400 - 13

Description: CHAIR SIDE TABLE WITH USB



IMPORTANT NOTE :

- Place all wooden parts on a clean and smooth surface such as a rug or carpet to avoid the parts from being scratched.
- Check to be sure that you have all parts and hardware.
- Remove all wrapping materials , including staples & packing straps before you start to assemble.
- Do not tighten all screws/bolts until all completely assembled.
- Keep all hardware parts out of reach of children !
- Tighten screws periodically ! With the use of this product bolts and screw may become loose over time !
- Don't attempt to modify parts !

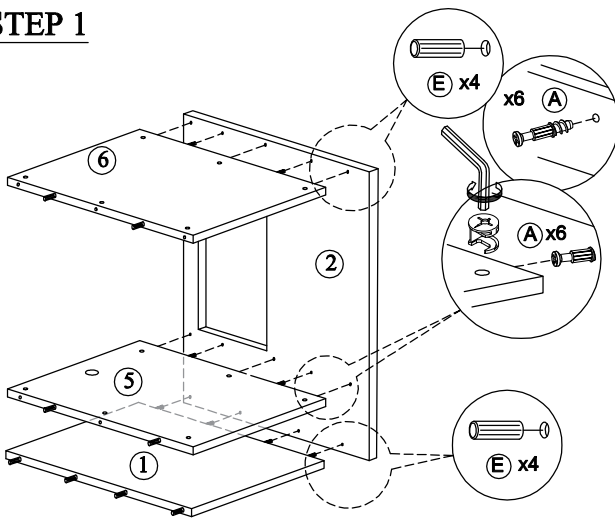
PARTS LIST

NO.	COMPONENT	QTY.
1	Table Top	1 pc
2	Side Panel - Left	1 pc
3	Side Panel - Right	1 pc
4	Shelf Panel	1 pc
5	Center Panel With Drawer Box	1 set
6	Bottom Panel	1 pc
7	Bottom Frame	1 pc
8	Back Panel With USB	1 pc

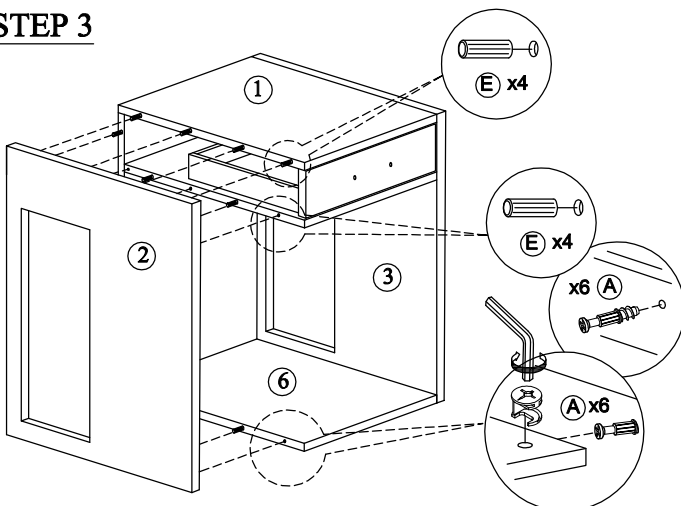
HARDWARE LIST

NO.	COMPONENT	QTY.
A	Minifix 32mm (2 in 1)	12 sets
B	Shelf Support	4 pcs
C	M3.5 x 12mm CB Screw	4 pcs
D	M4 x 38mm CB Screw	6 pcs
E	M4 x 30mm Wood Dowel	22 pcs
F	M4 Allen Key	1 pc

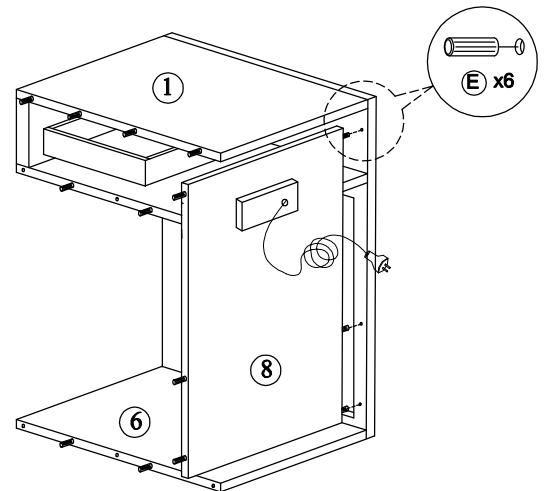
STEP 1



STEP 3



STEP 2



STEP 4

