








# ASSEMBLY INSTRUCTIONS

ITEM NO.: T444/T445-29  
SIDE CHAIR TABLE

Thank you for purchasing this quality product. Place all wooden parts on a clean and smooth surface such as a rug or carpet to avoid the parts from being scratched. Be sure to check all packing materials carefully for small parts may have come loose inside the carton during shipment, clarify and count all parts and compare with the parts list below. Do not tighten all screws / bolts until all completely assembled.

Parts List		
No.	Description	Q.ty
A	Table Top	1PC
B	Bottom shelf	1PC
C	Left Leg	1PC
D	Right Leg	1PC
E	Center Leg	1PC

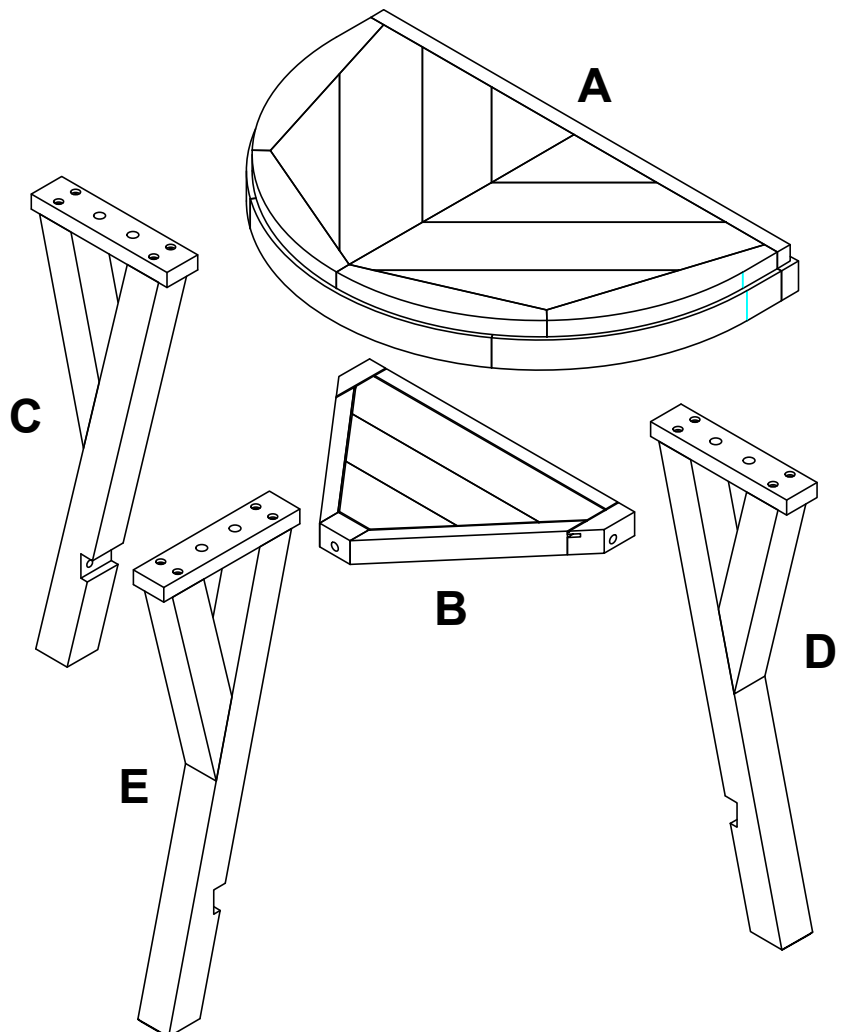
Hardware List				
No.	Description	Sketch	Size	Q.ty
1	Allen Key		M4	1pc
2	Allen Bolt		5/16" x 38mm	6pcs
3	Allen Bolt		1/4" x 44mm	3pcs
4	Spring Washer		Ø13 x 5/16" x 1.8mm	6pcs
5	Flat Washer		Ø19 x 5/16" x 1.8mm	6pcs
6	Spring Washer		Ø11 x 1/4" x 1.8mm	3pcs
7	Flat Washer		Ø19 x 1/4" x 1.8mm	3pcs

**NOTE : YOU WILL ALSO NEED A SCREWDRIVER (NOT PROVIDED)**

These parts are cumbersome and heavy. Therefore, two people are recommended in order to prevent personal injury and insure the parts are not damaged during the assembly.

 **Important Notes**

- \*Keep all hardware parts out of reach of children!
- \*Tighten screws periodically! With the use of this product bolts and screws may become loose over time!
- \*Don't attempt to modify parts!

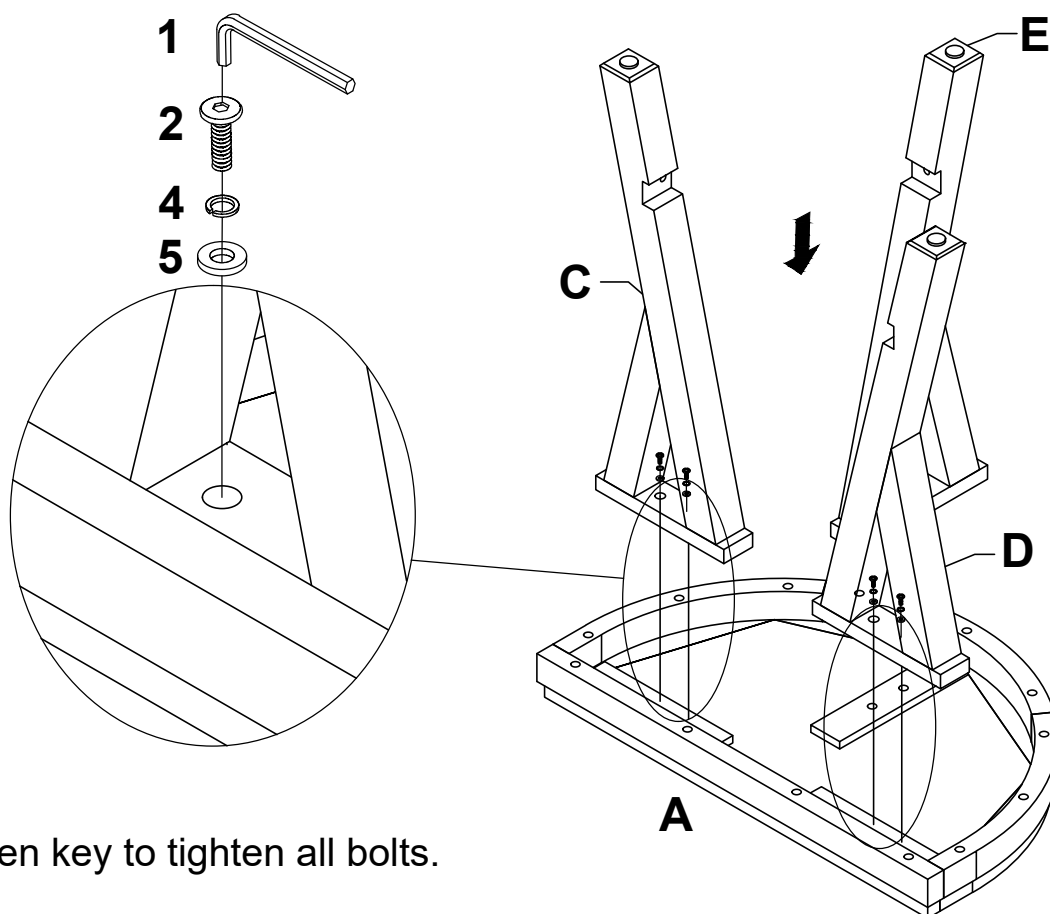


# ASSEMBLY INSTRUCTIONS

ITEM NO.: T444/T445-29  
SIDE CHAIR TABLE

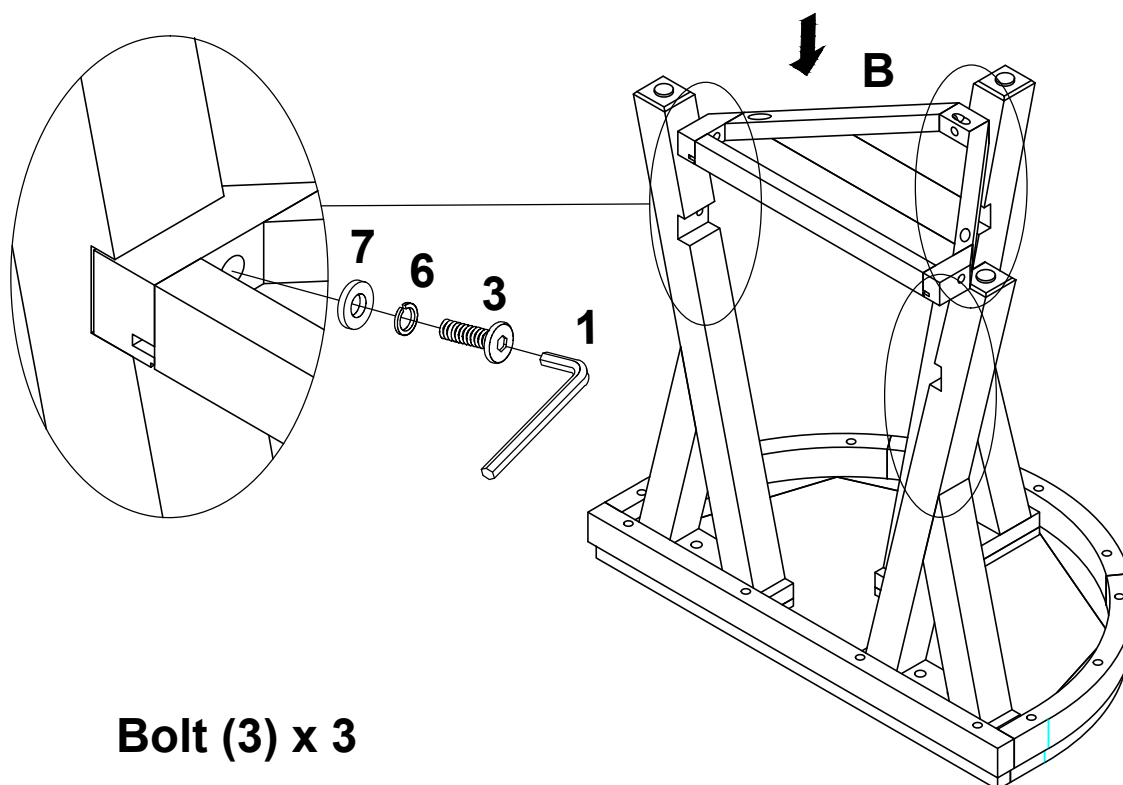
STEP 1: Do not fully tighten the bolts until all parts have been assembled.

**Bolt (2) x 6**



STEP 2:

Using the Allen key to tighten all bolts.



**Bolt (3) x 3**