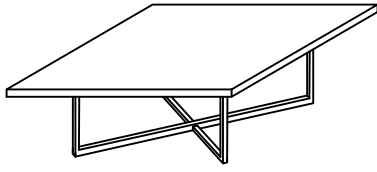
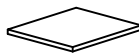
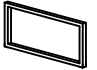









IMPORTANT NOTE :

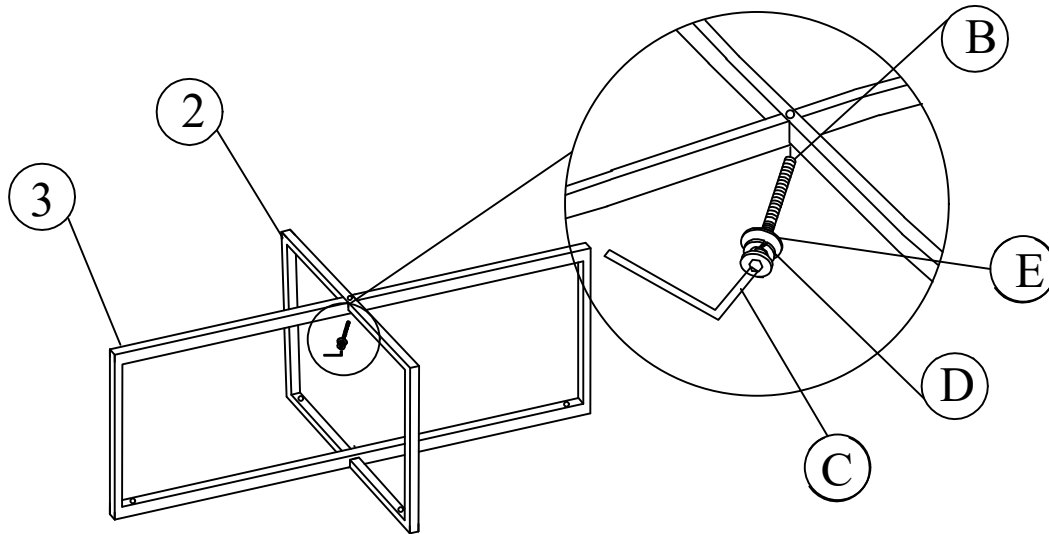
- Place all wooden parts on a clean and smooth surface such as a rug or carpet to avoid the parts from being scratched.
- Check to be sure that you have all parts and hardware.
- Remove all wrapping materials, including staples & packing straps before you start to assemble.
- Do not tighten all screws / bolts until all completely assembled.
- Keep all hardware parts out of reach of children!
- Tighten screws periodically! With the use of this product bolts and screws may become loose over time!
- Don't attempt to modify parts!



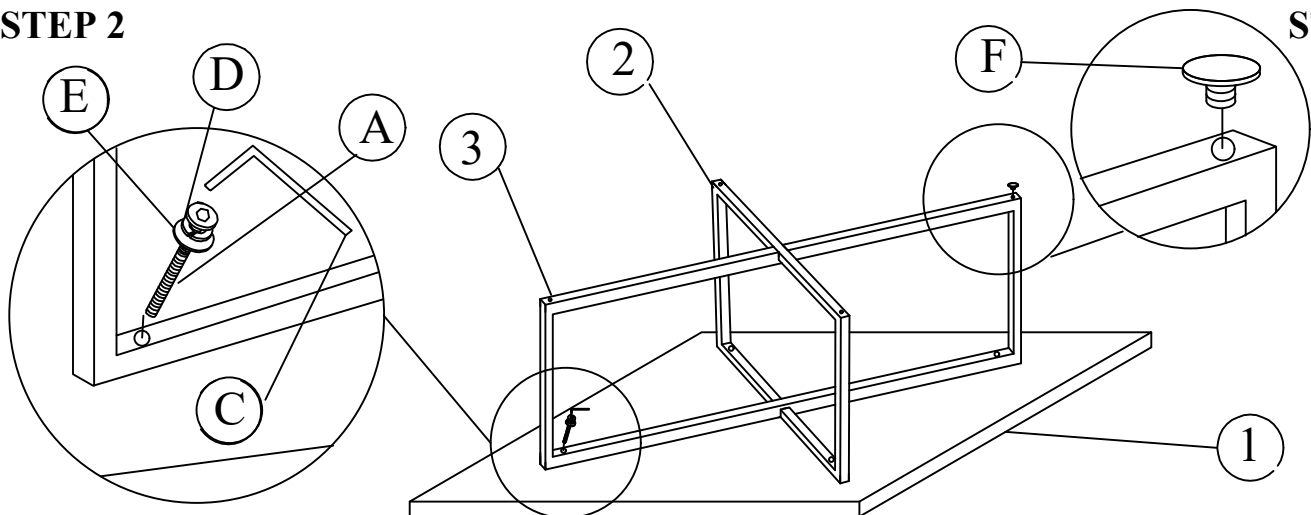
PART LIST			
NO	DESCRIPTION		QTY/PCS
1		TABLE TOP	1 PC
2		TABLE LEG-1	1 PC
3		TABLE LEG-2	1 PC

PART LIST			
NO	DESCRIPTION		QTY/PCS
A		BOLT M6 x 35MM	4 PC
B		BOLT M6 x 15MM	1 PC
C		ALLEN KEY M4 x 60MM	1 PC
D		SPRING WASHER M6 x 12MM	6 PC
E		FLAT WASHER M6 x 19MM	6 PC
F		LEVELLER	4 PC

STEP 1



STEP 2



STEP 3

