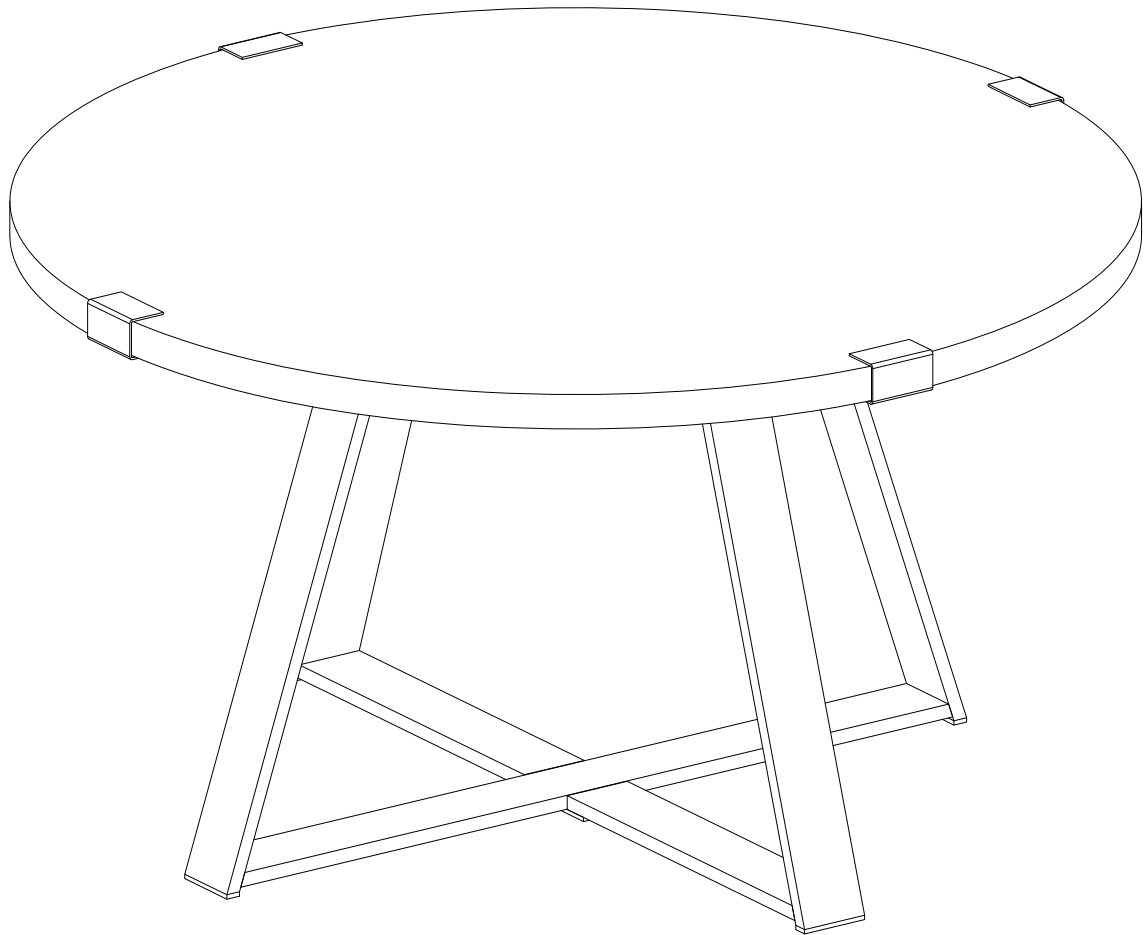




Walker<sup>®</sup>  
Edison

Item # : AF30MWCT  
Assembly Instructions

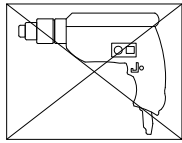


*Please visit our website for the most current instructions, assembly tips, report damage, or request parts. [www.walkeredison.com](http://www.walkeredison.com)*

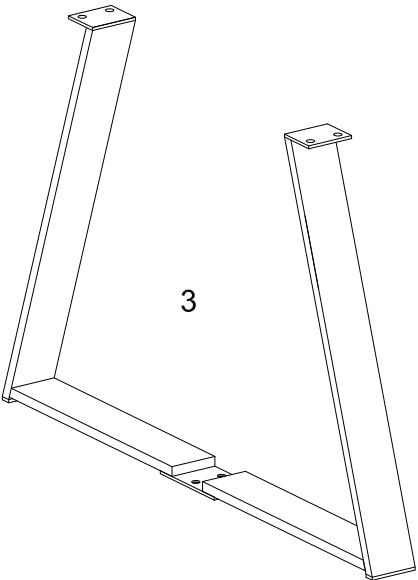
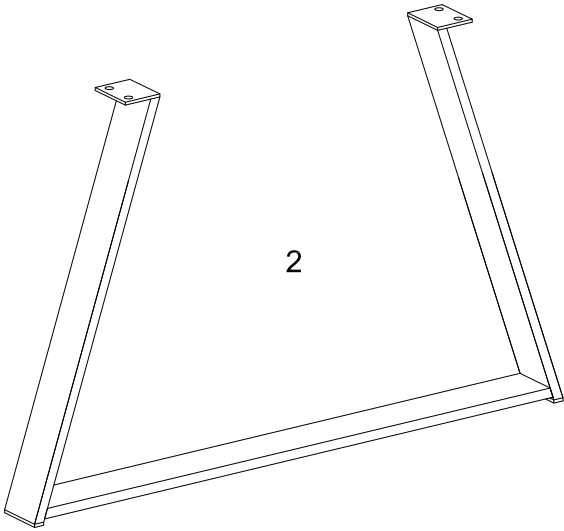
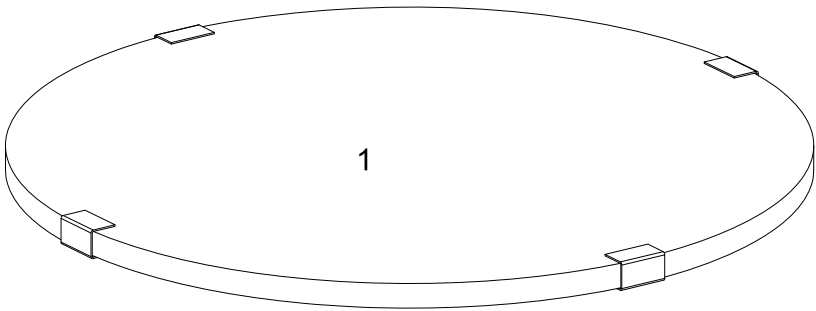
Revised 04/10/2018

# General Assembly Guidelines




- I. Ensure that all parts and hardware are available before beginning assembly.
- II. Follow each step carefully to ensure the proper assembly of this product.
- III. Two people are recommended for ease in the assembly of this product.
- IV. The main type of hardware used to assemble this product is: bolts.
- V. Power tools should not be used to assemble this product .

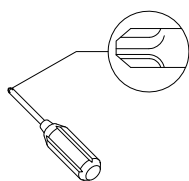


# Parts List



# Hardware List

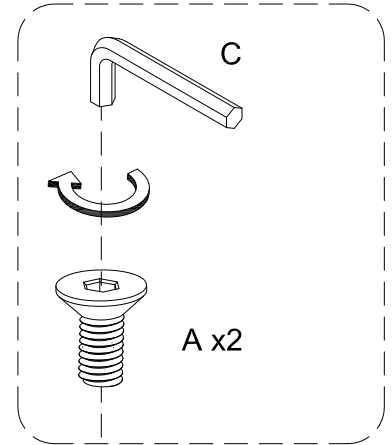
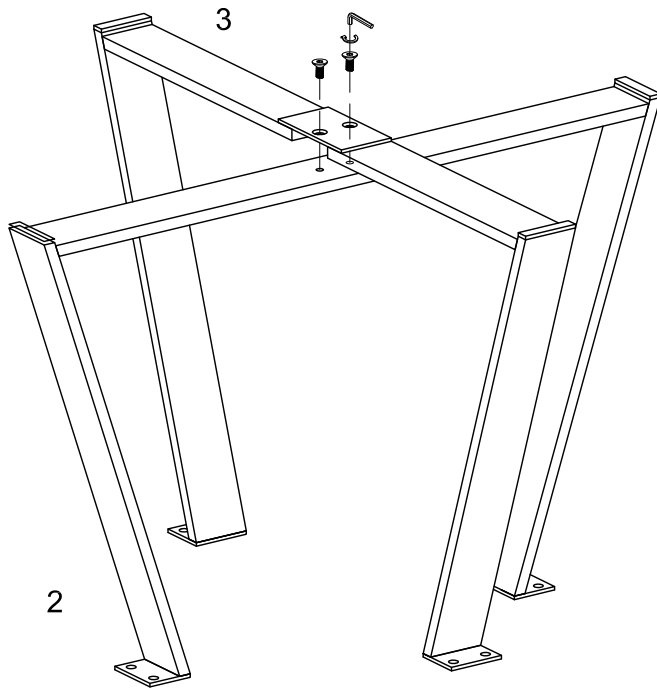
|   |   |         |         |       |
|---|---|---------|---------|-------|
| A |  | M6x10mm | Bolt    | 2 pcs |
| B |  | M6x15mm | Bolt    | 8 pcs |
| C |  | M 4     | Hex Key | 1 pcs |



Philips head screwdriver required for assembly  
(not included)

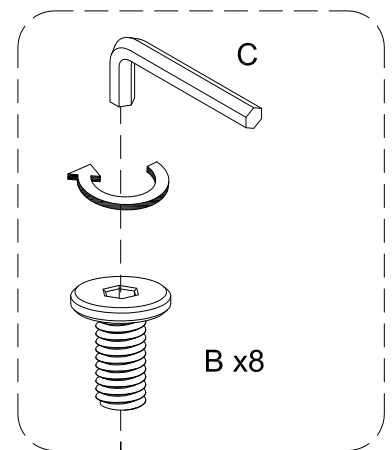
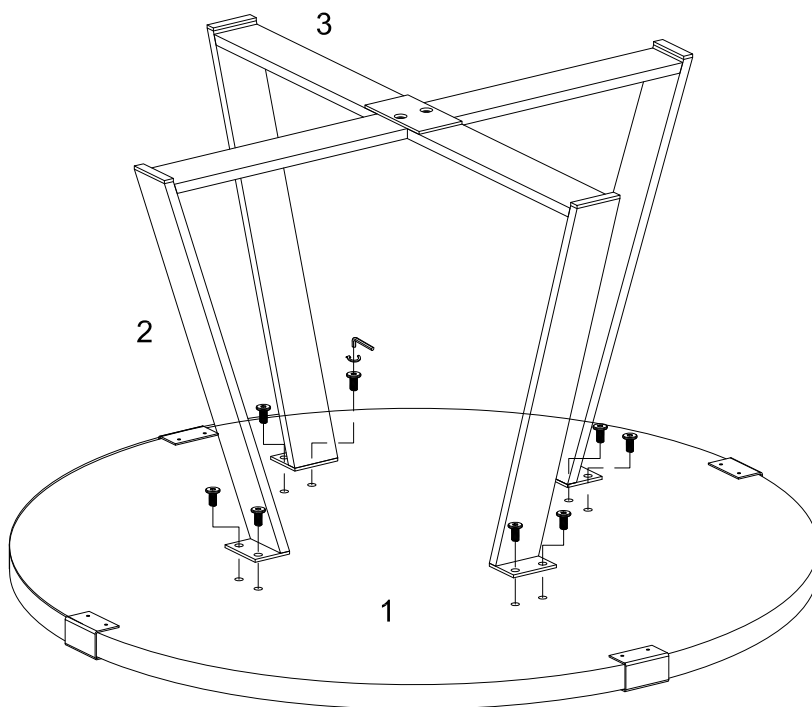
*The hardware quantities listed above are required for proper assembly.  
Some extra hardware may also have been included.*

# Step 1



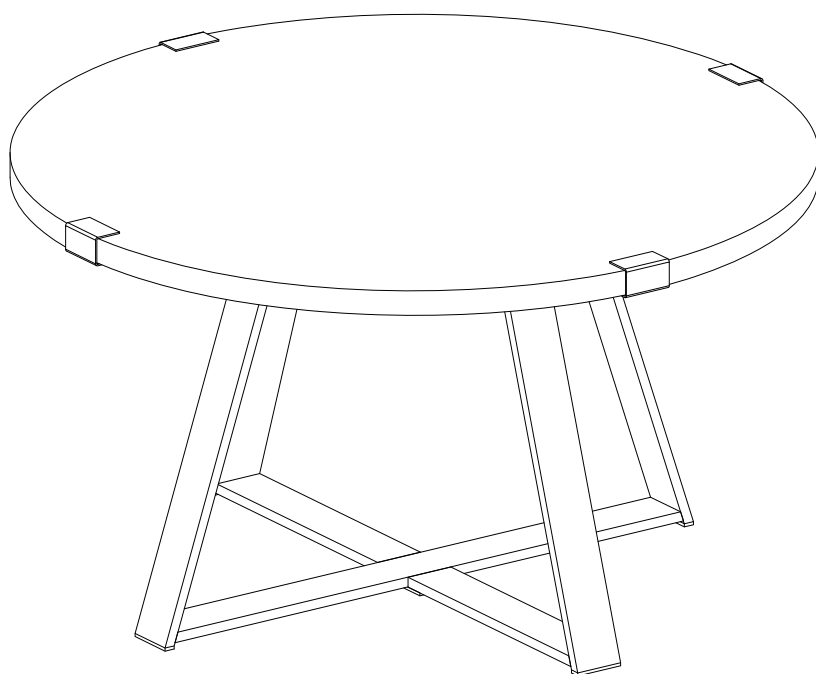
Attach part (3) to part (2) using bolt (A) with hex key (C).

# Step 2



Attach part (2,3) to part (1) using bolt (B) with hex key (C).

# Step 3



Final Assembly