

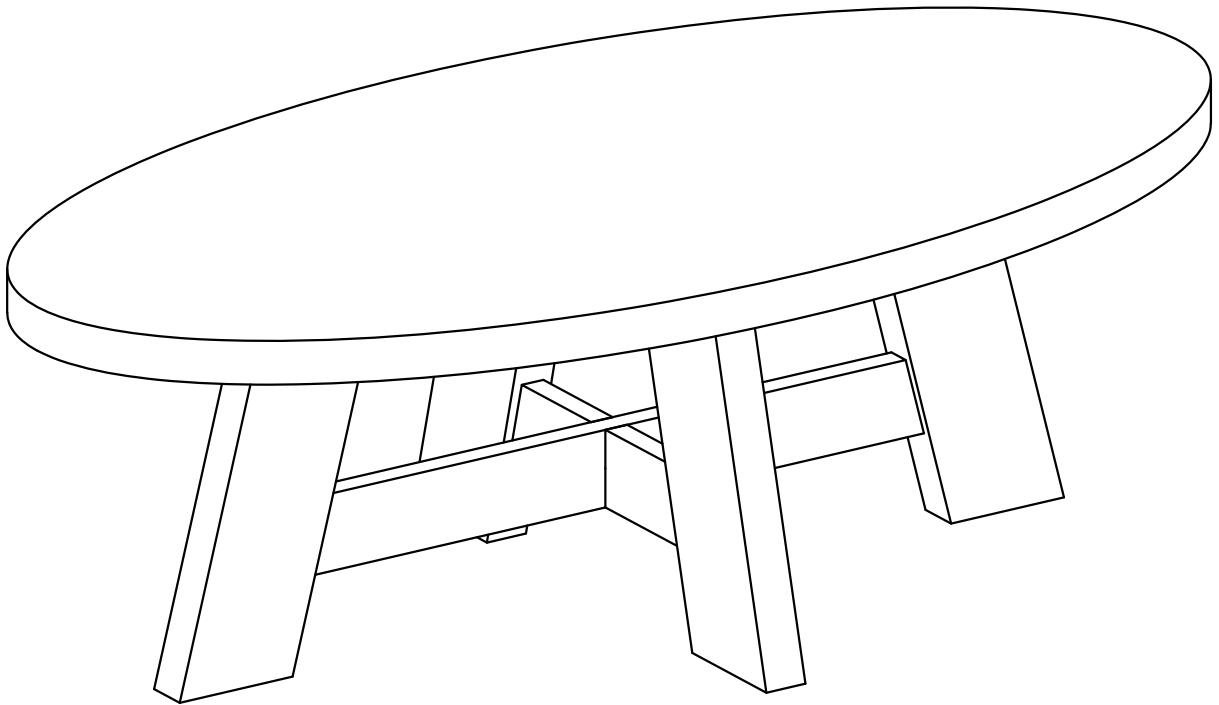
# Assembly Instructions

## 8706724 Coffee Table- Prairie Oak

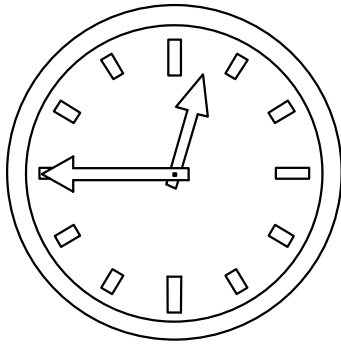
Product Issues? Please Call Us Before Contacting Your Retailer At 1-800-549-3300

Email [customerservice@mshome.co](mailto:customerservice@mshome.co), or visit [www.mshome.co](http://www.mshome.co)

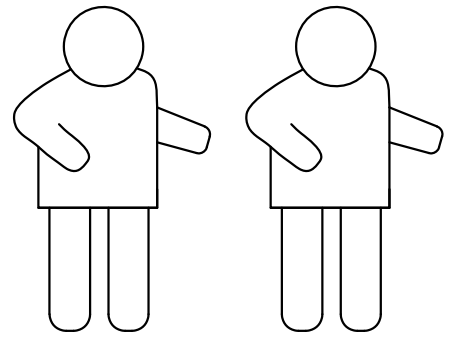
We can help with Assembly Issues, Part Requests, Damages, & All Other Product Related Questions



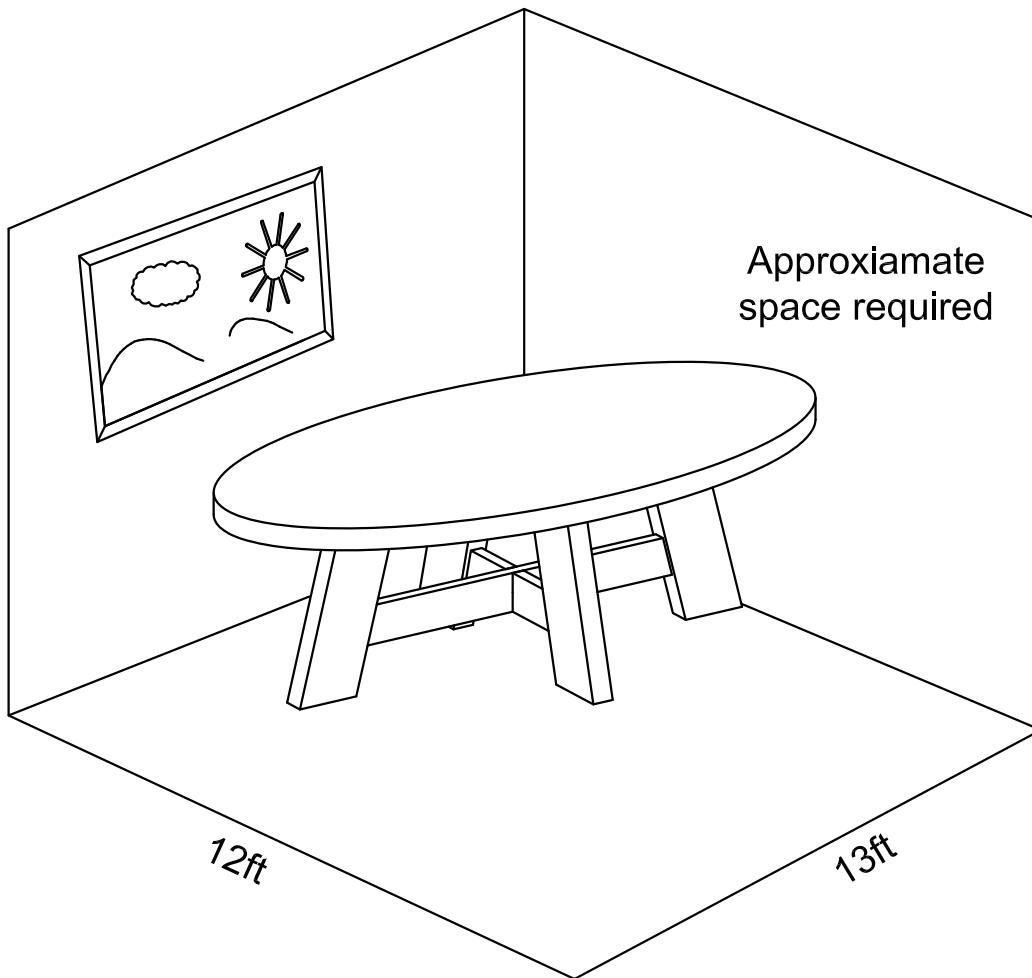
**MSH-USA**



10 min



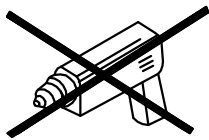
Two People Required



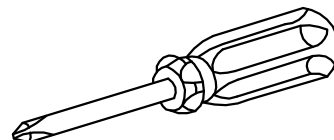
Approximate  
space required

12ft

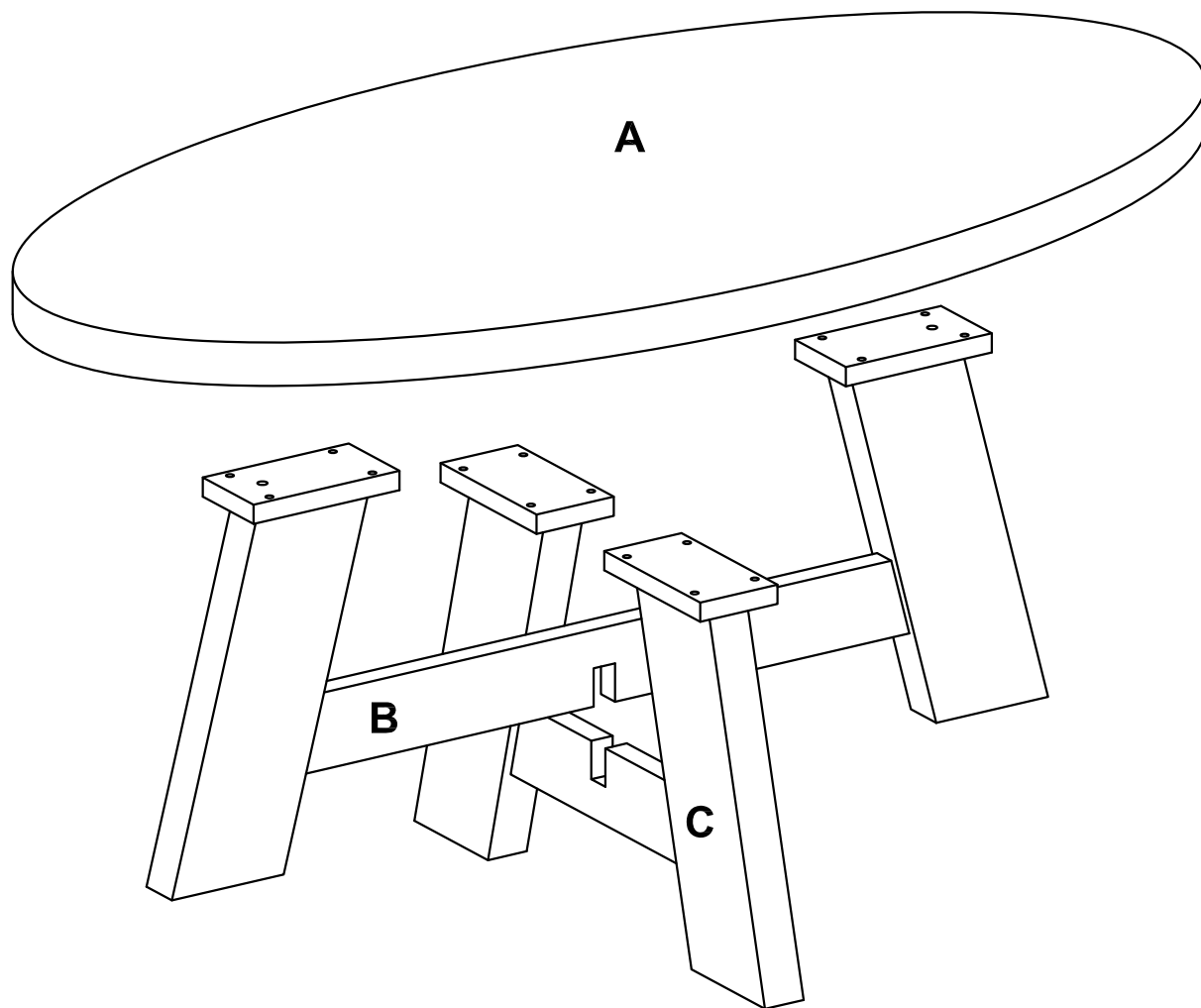
13ft



Do not use power tools



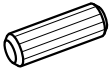
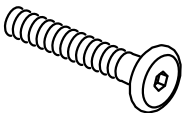


Phillips Head (Not provided)



**Replacement parts:**

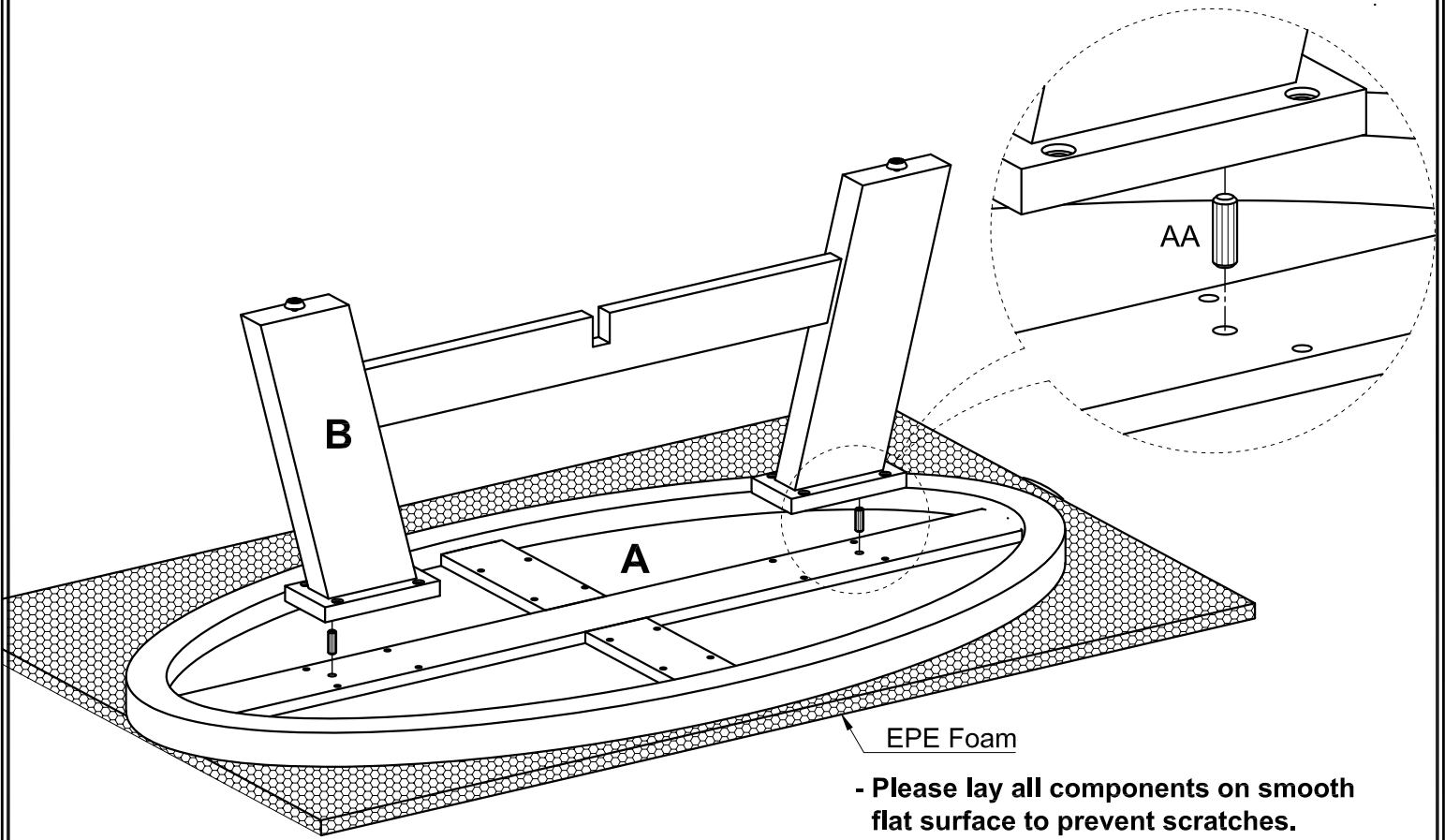
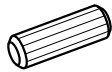
- A - Table Top**
- B - Leg Frame**
- C - Leg Frame**

**Hardware Pack**

<p>AA x 02</p>  <p>Ø10x30(mm)</p>	<p>BB x 16</p>  <p>Ø6x30(mm)</p>	<p>CC x 01</p> 	<p>DD x 01</p>  <p>Ø4x45 (mm)</p>
--	---	--	--

**1**

AA x 2

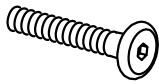


EPE Foam

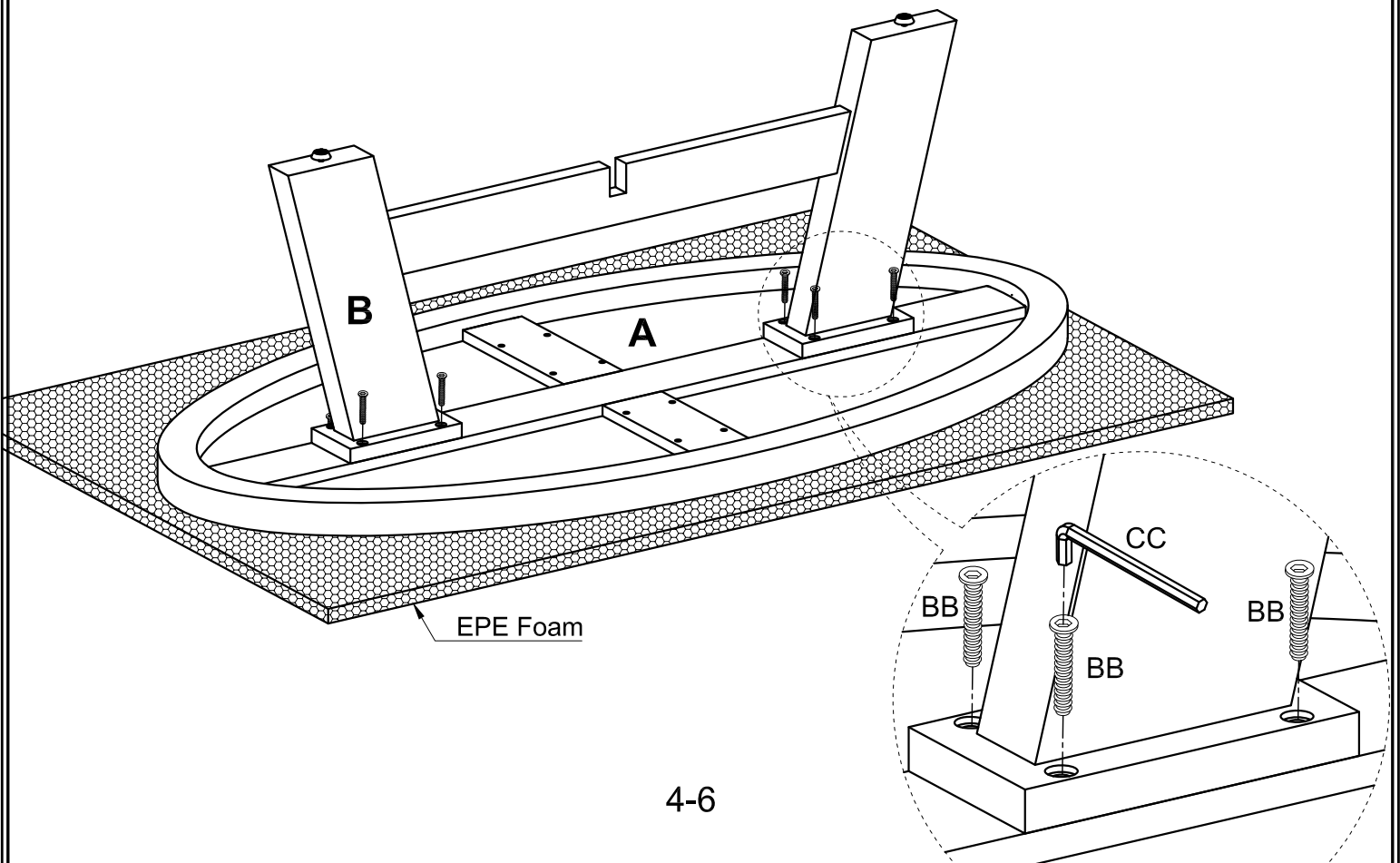
- Please lay all components on smooth flat surface to prevent scratches.

**2**

BB x 8



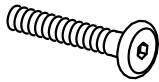
CC x 1



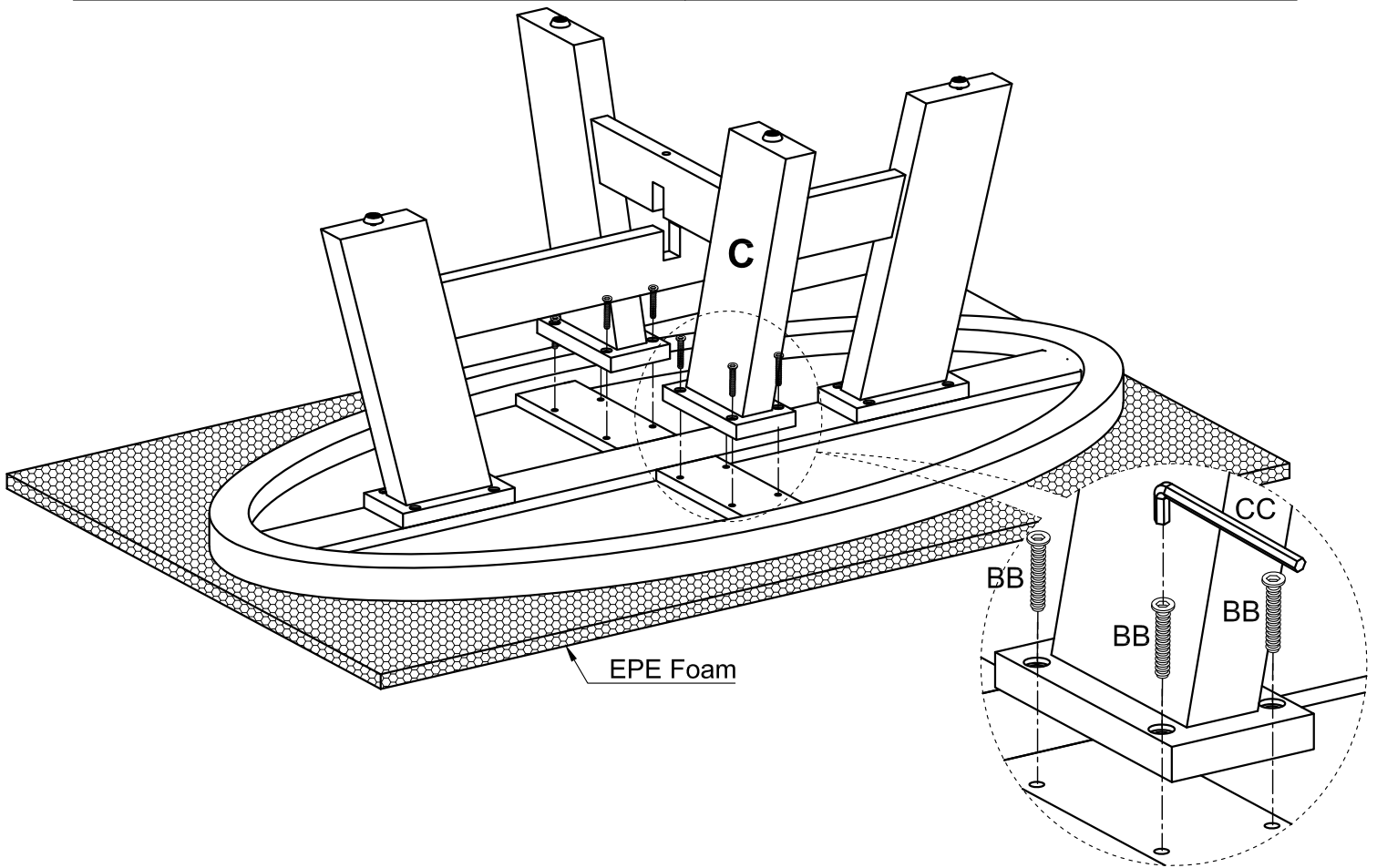
EPE Foam

3

BB x 8

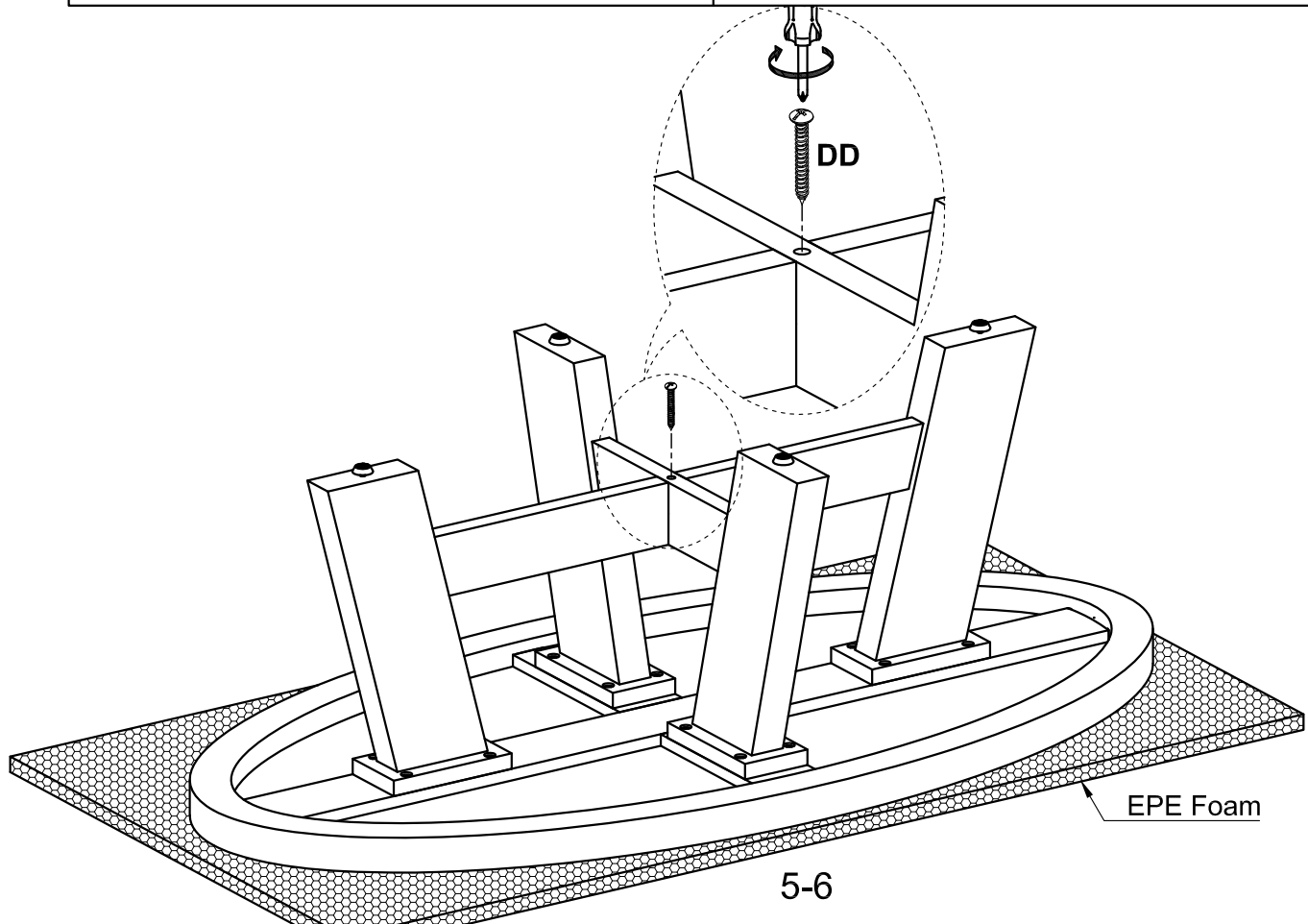
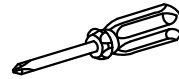


CC x 1



4

DD x 1



5

