

ASSEMBLY INSTRUCTION

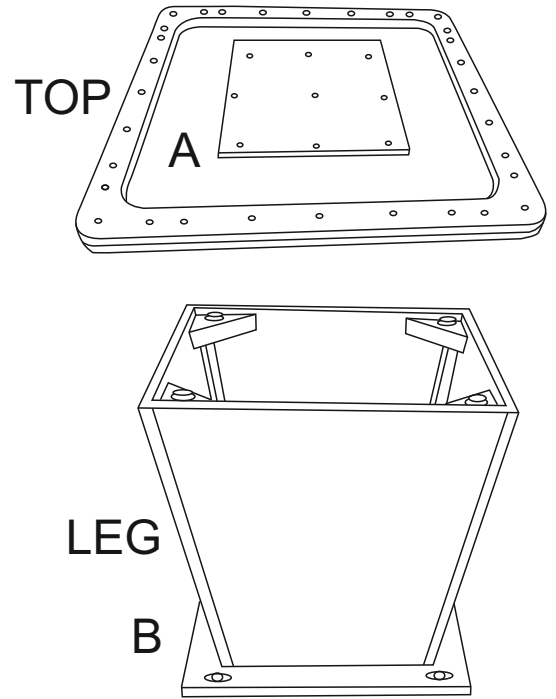
SKU# 97545

Before beginning

- Unpack all parts and hardware to ensure you have all needed components for assembly
- Read this guide cover before beginning assembly .
- Assemble this item on a soft surface such as carpet to protect finish.
- Proper assembly of this item requires 2 person & 20 minutes to assemble.

CARE INSTRUCTIONS

Wipe with a soft and dry cloth. To protect finish, avoid the use of chemicals and household cleaners. Any liquid in the table should be cleaned up immediately with a damp cloth.



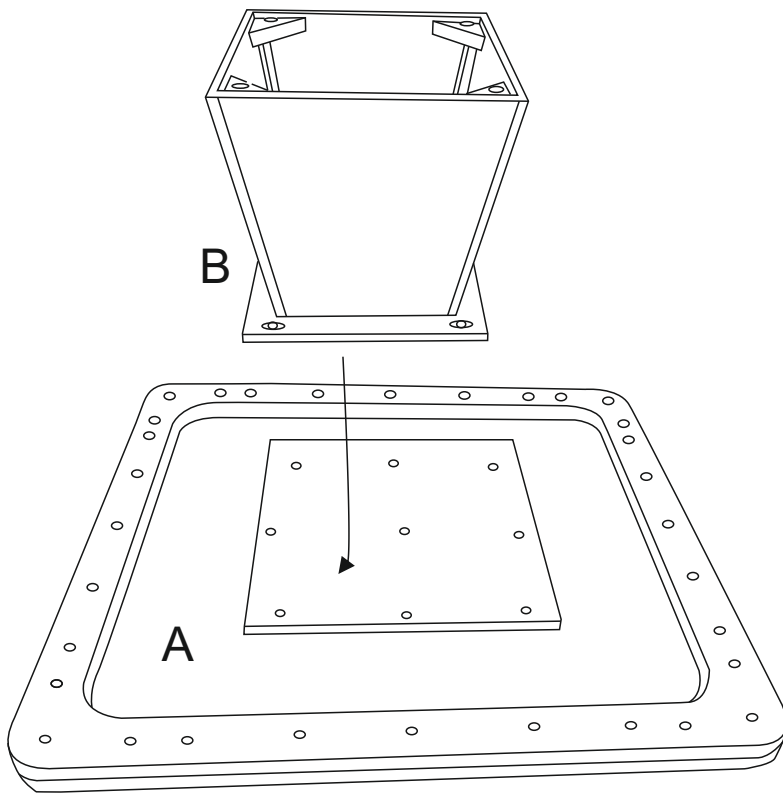
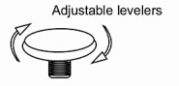
HOW TO ASSEMBLE

- STEP-1 Place the coffee table top upside on rug and match marking A with B respectively.
- STEP-2 Insert allen bolt D with spring washer F and flat washer E then tighten with allen key C.
- STEP-3 Turn the coffee table upside down, coffee table ready to use.

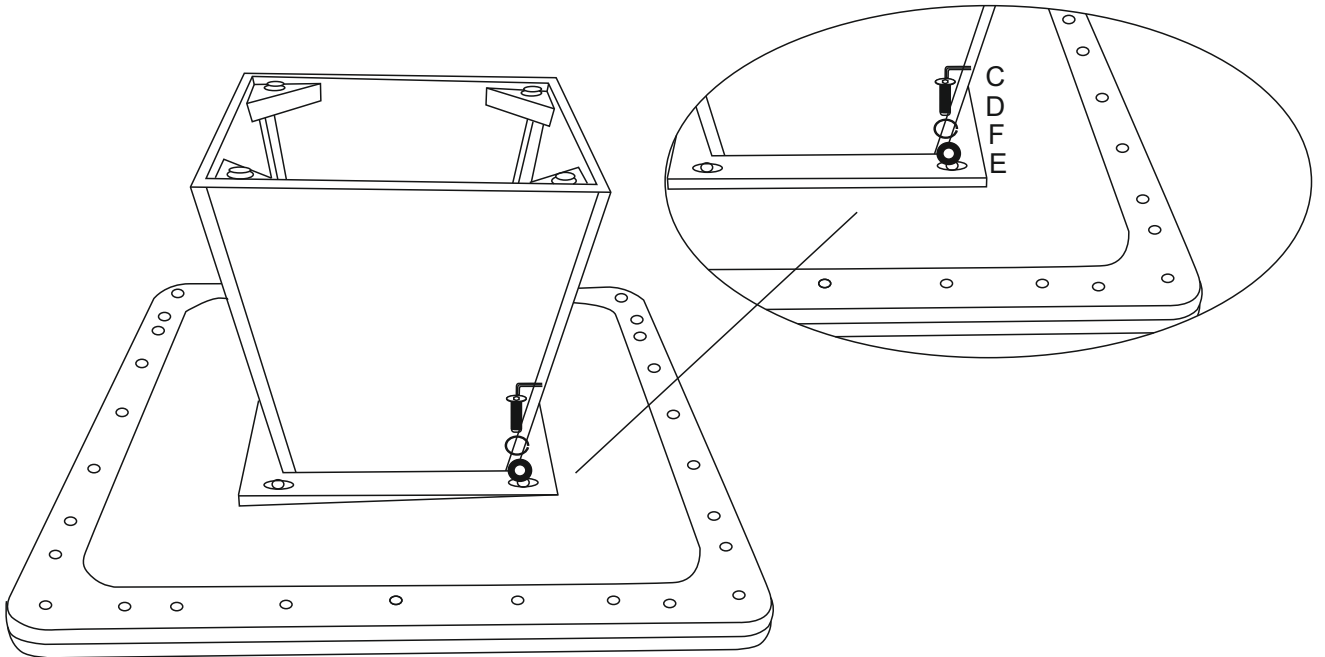
No.	Sketch	Description.	Size (IN)	Qty.	Ext.
C		ALLEN KEY	0.19"	1	0
D		ALLEN BOLT	0.31X1.37"	04	1
E		WASHER	0.35X1 "	04	1
F		SPRING WASHER	0.35X0.5 "	04	1

STEP- 1

Tip for leveling of product:
When the product rests on an uneven floor surface
it will appear to be unbalanced. To aid in leveling, try
adjusting the levelers on the bottom of each foot.



STEP- 2



STEP- 3

FINAL

