

# ASSEMBLY INSTRUCTION

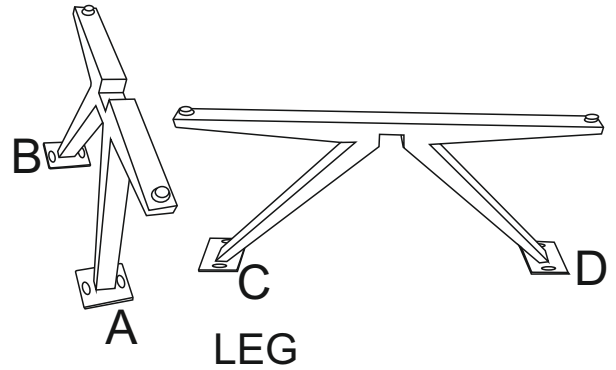
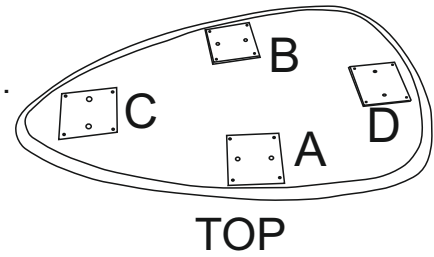
## SKU# 97549

### Before beginning

- Unpack all parts and hardware to ensure you have all needed components for assembly
- Read this guide cover before beginning assembly .
- Assemble this item on a soft surface such as carpet to protect finish.
- Proper assembly of this item requires 2 person & 20 minutes to assemble.

### CARE INSTRUCTIONS

Wipe with a soft and dry cloth. To protect finish, avoid the use of chemicals and household cleaners. Any liquid in the table should be cleaned up immediately with a damp cloth.



### HOW TO ASSEMBLE





STEP-1 Place the coffee table top upside on rug and match marking A with A and B With B respectively.

STEP-2 Insert allen bolt F with spring washer H and flat washer G then tighten with allen key E.

STEP-3 Match marking C with C and D With D respectively.

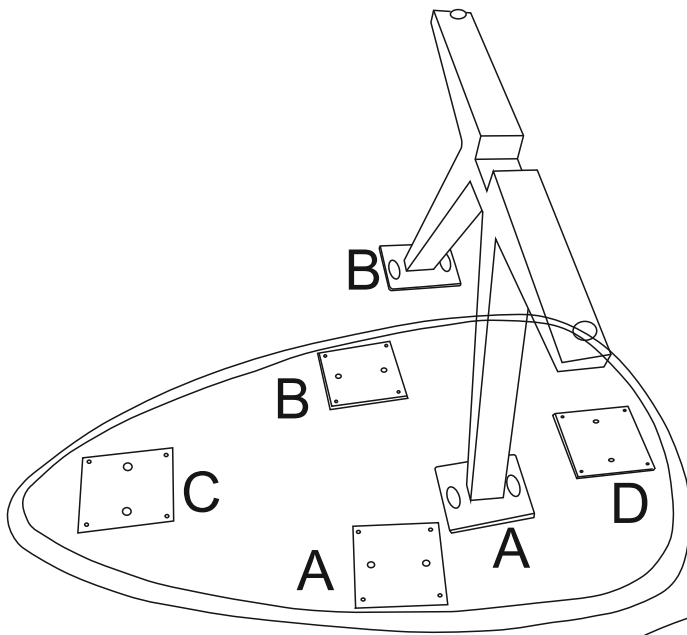
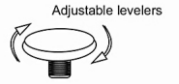
STEP-4 Insert allen bolt F with spring washer H and flat washer G then tighten with allen key E.

STEP-5 Turn the coffee table upside down, coffee table ready to use.

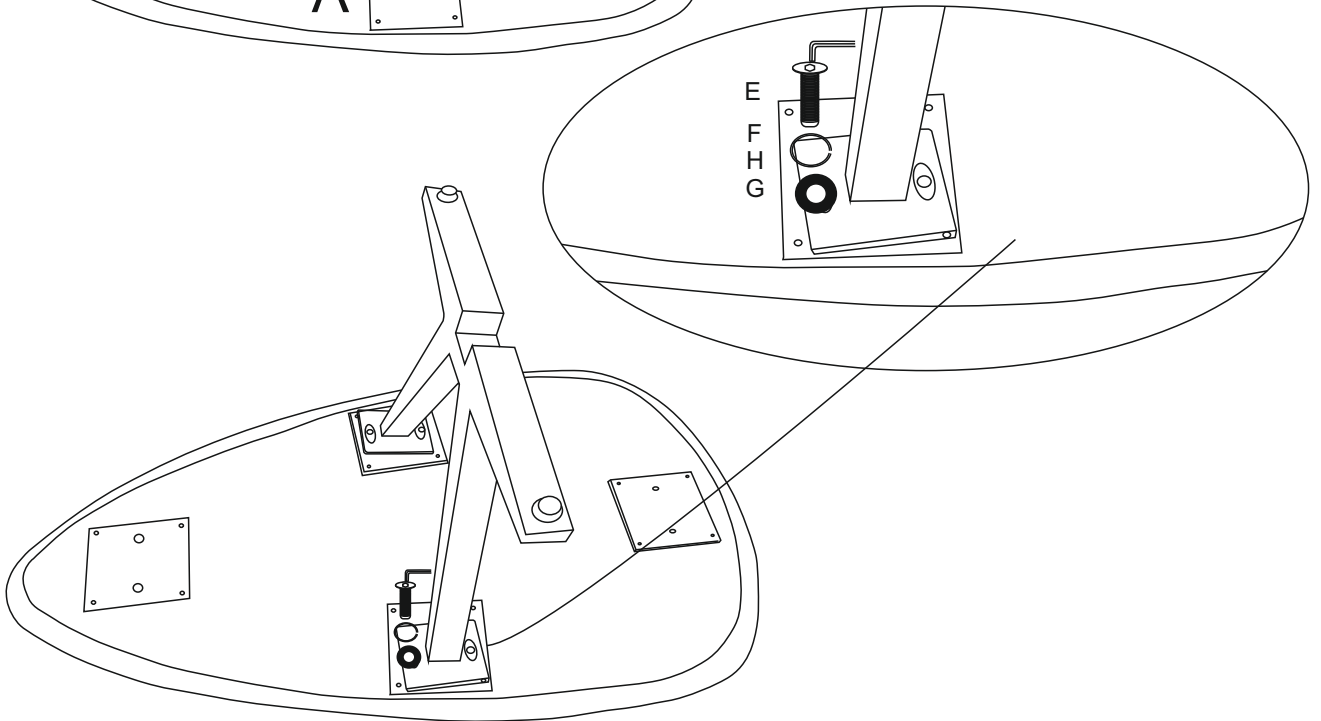
No.	Sketch	Description.	Size (IN)	Qty.	Ext.
E		ALLEN KEY	0.19"	1	0
F		ALLEN BOLT	0.31X0.78"	08	1
G		WASHER	0.35X1 "	08	1
H		SPRING WASHER	0.35X0.5"	08	1

# STEP- 1

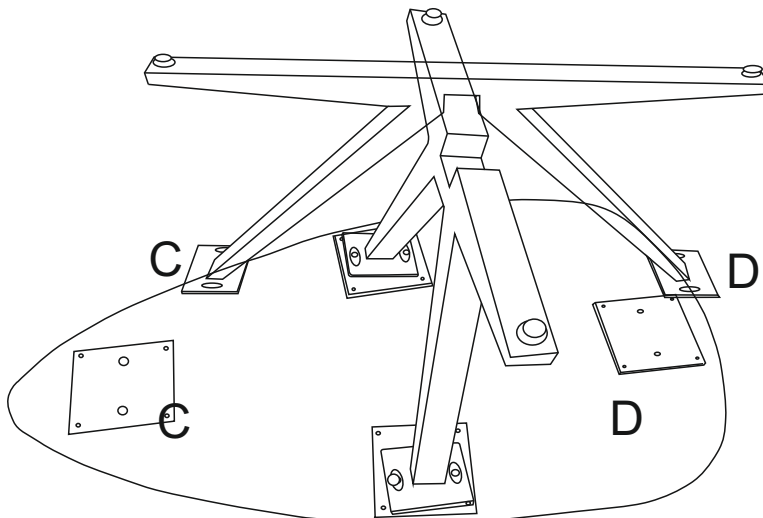
Tip for leveling of product:  
When the product rests on an uneven floor surface  
it will appear to be unbalanced. To aid in leveling, try  
adjusting the levelers on the bottom of each foot.



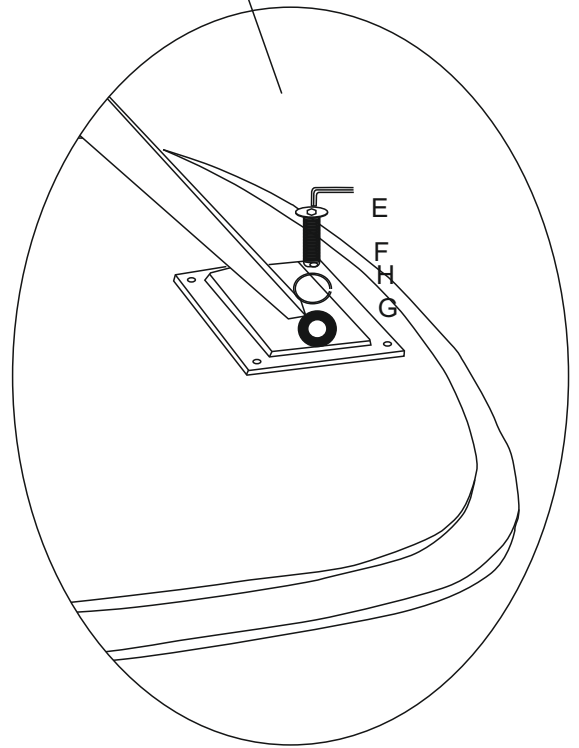
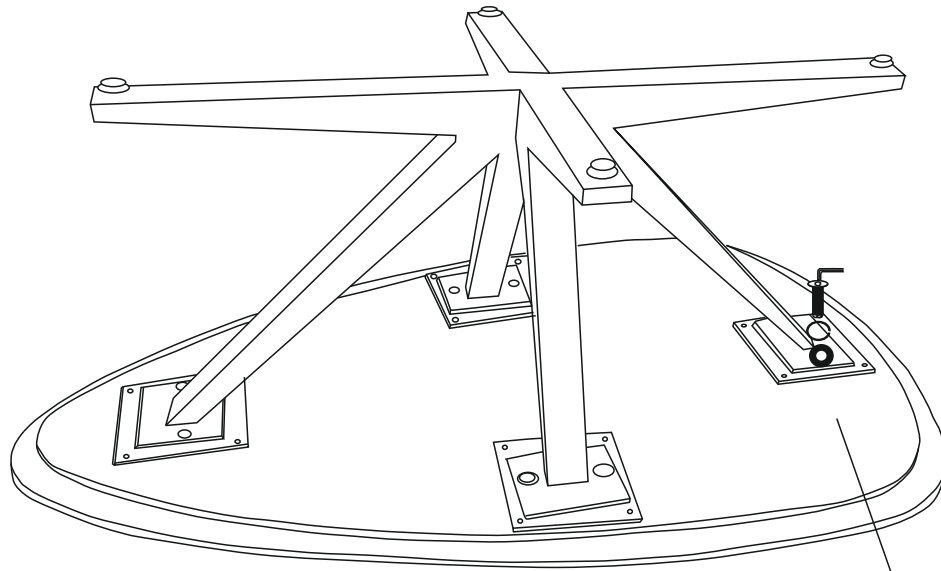
# STEP- 2



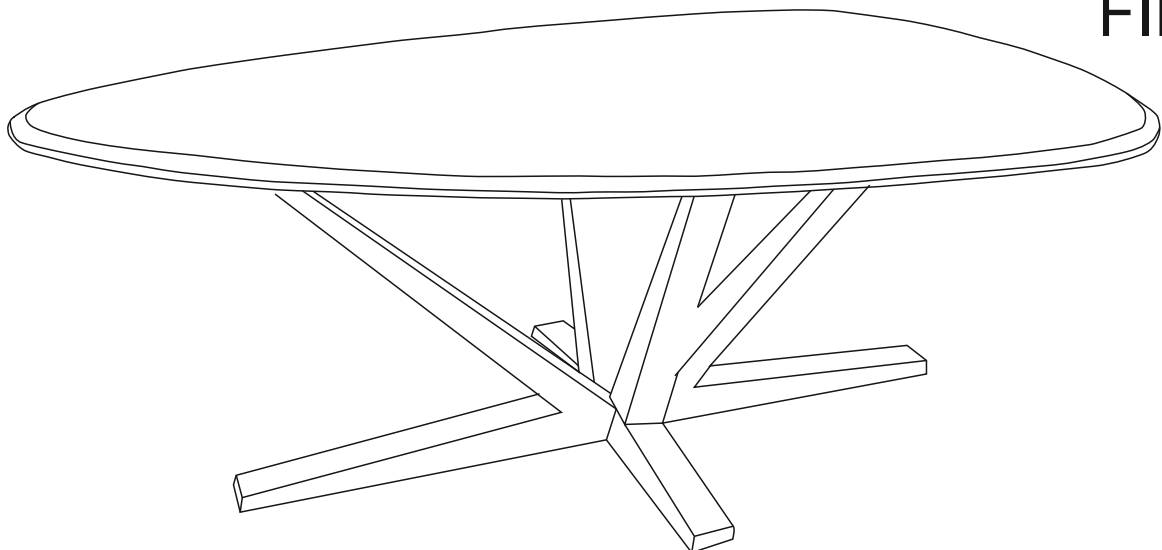
# STEP- 3



STEP- 4



STEP- 5



**FINAL**