

Thank You for purchasing this Quality product. It has been engineered for easy assembly yet constructed for durability. Please take the time to read and follow the instructions while assembling. Please be sure to read the Notes section at the bottom of the page before beginning Assembly. Thank You

ASSEMBLY INSTRUCTION

SOFA CONSOLE TABLE

Model : T137-05 (DOVT 2107-3)

SIZE : 47-5/8" x 18" x 30"H

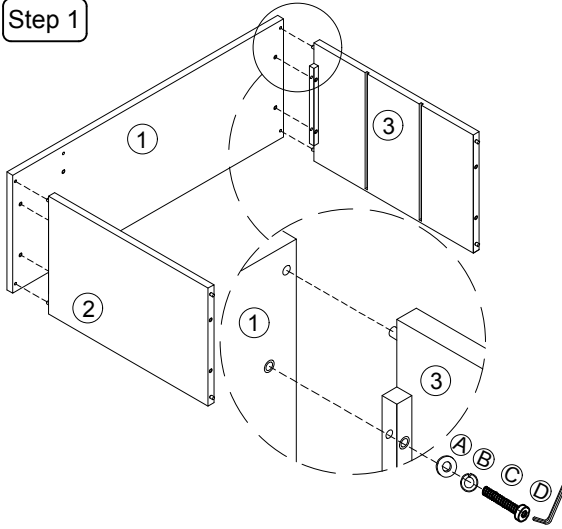
List of Part For 1 Set

Code	Figure	Part	Qty.
①		Table Top	1
②		Side Panel - Left	1
③		Side Panel - Right	1
④		Divided Panel	1
⑤		Bottom Panel	1
⑥		Tempered Glass Shelf 722x445x8mm	1
⑦		Tempered Glass Shelf 478x445x8mm	1

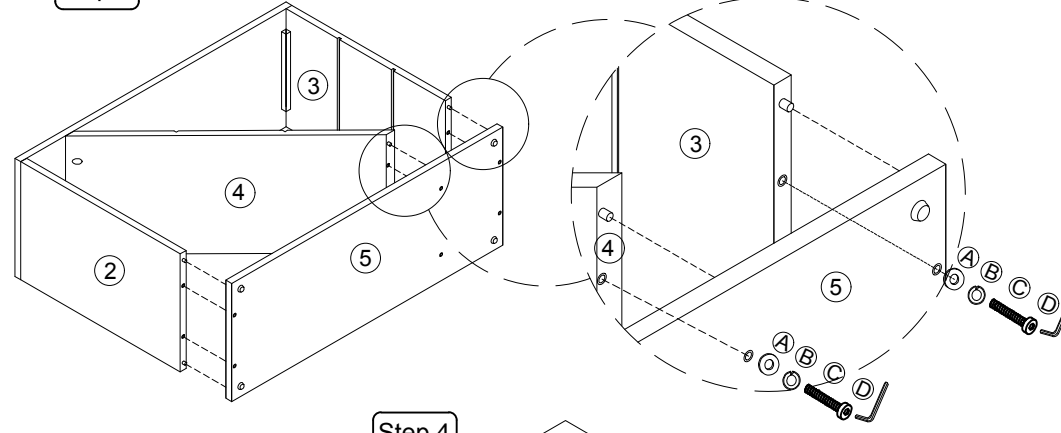
List of hardware For 1 Set

Code	Figure	Hardware	Qty.
(A)		Flat Washer 1/4" x 13mm	12
(B)		Spring Washer 1/4"	12
(C)		JCBC M6 x 35mm	12
(D)		Allen Key M4	1
(E)		Wood Dowel M10x30mm	4

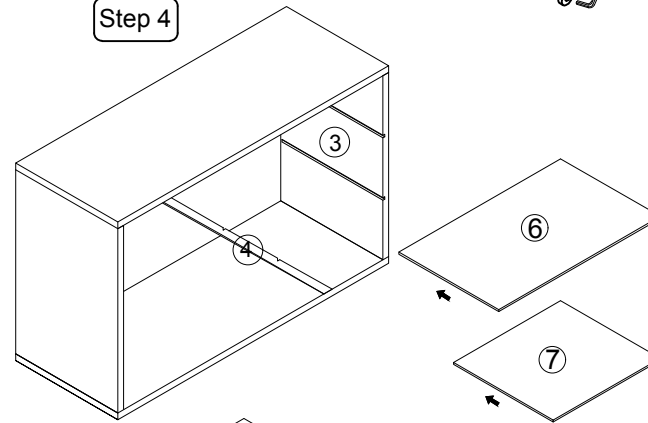
Step 1



Step 3

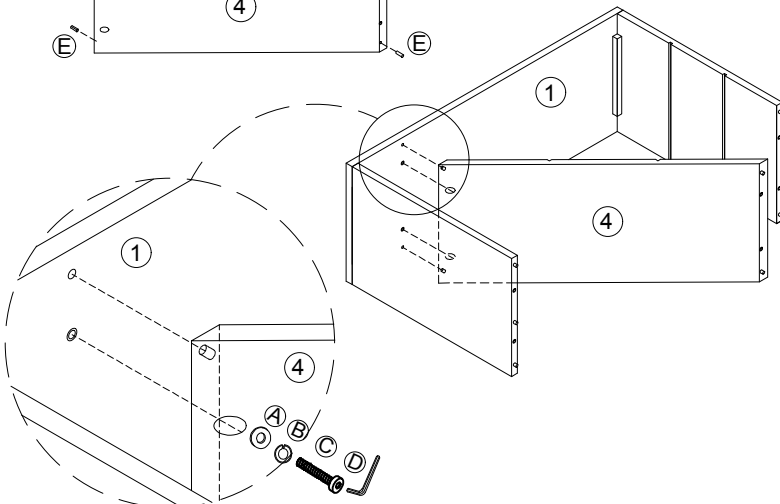
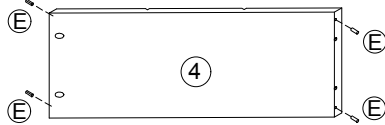


Step 4



Step 2

INSERT WOOD DOWEL BEFORE ASSEMBLE



Assembly Completed !!

Notes

- * Place all wooden parts on a clean and smooth surface such as a rug or carpet to avoid the parts from being scratched.
- * Check to be sure that you have all parts and hardware.
- * Remove all wrapping materials including staples & packing straps before you start to assemble.
- * Do not tighten all screws / bolts until all completely assembled.

⚠ Important Notes

- * Keep all hardware parts out of reach of children.
- * Must tighten screws periodically. With use screws will become loose. Check tightness of all screws every 6-8 weeks.
- * Don't attempt to repair or modify parts that are broken or defective. Please contact the store immediately.
- * Do not tighten all screws / bolts until all completely assembled

MADE IN MALAYSIA