






ASSEMBLY INSTRUCTIONS

T148-05 SOFA/CONSOLE TABLE

Thank you purchasing this quality product. Place all wooden parts on a clean and smooth surface such as a rug or carpet to avoid the parts from being scratched. Be sure to check all packing materials carefully for small parts may have come loose inside the carton during shipment, clarify and count all parts and compare with the parts list below. Do not tighten all screws/bolts until all completely assembled.

PARTS LIST		
NO.	DESCRIPTION	QTY
A	TOP	1PC
B	SIDE FRAME	2PCS
C	SHELF	1PC

HARDWARE LIST				
NO.	DESCRIPTION	SKETCH	SIZE	QTY
1	ALLEN BOLT		1/4"×5/8"	8PCS
2	ALLEN BOLT		1/4"×1-1/4"	4PCS
3	FLAT WASHER		1/4"×16mm	12PCS
4	LOCK WASHER		1/4"	12PCS
5	ALLEN WRENCH		4mm	1PC

These parts are cumbersome and heavy. Therefore, two people are recommended in order to prevent personal injury and insure the parts are not damaged during the assembly.

△ Important Notes

- *Keep all hardware parts out of reach of children!
- *Tighten screws periodically! With the use of this product bolts and screws may become loose over time!
- *Don't attempt to modify parts.

Diagram 1

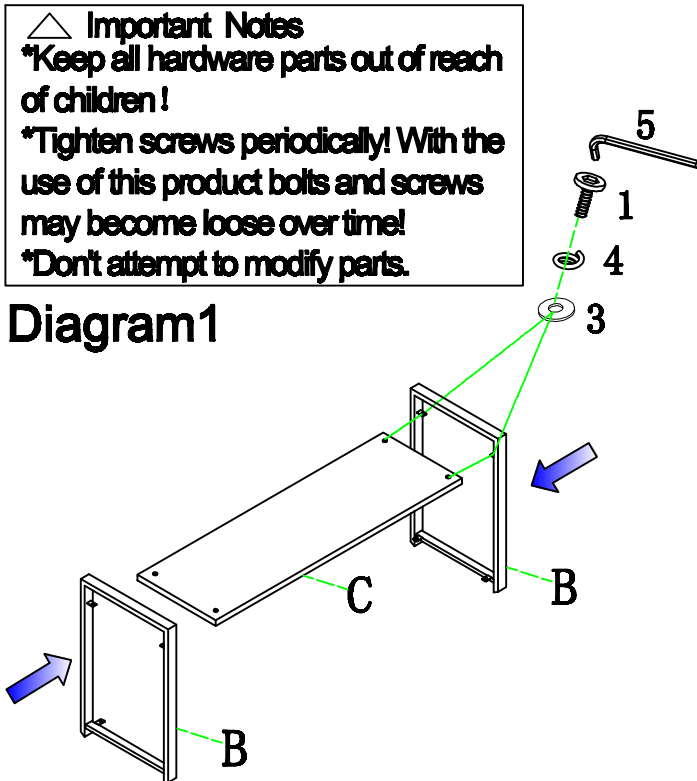
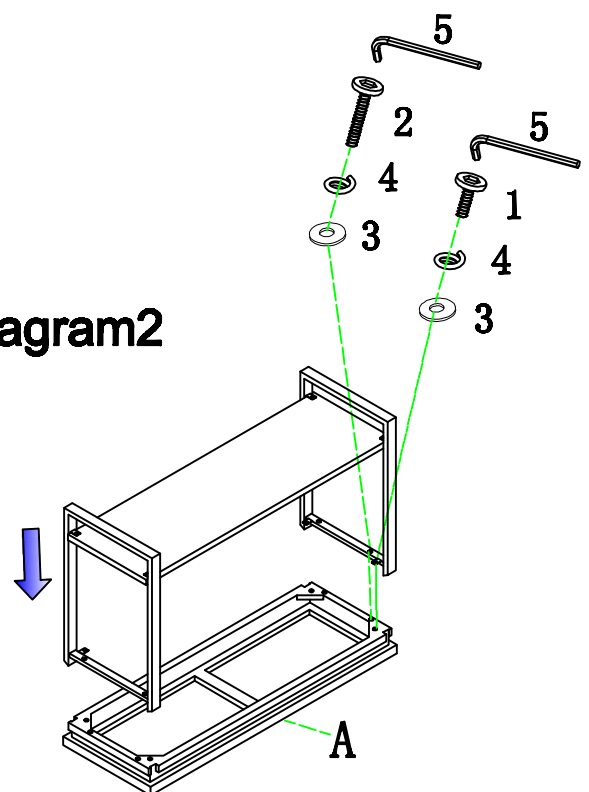


Diagram 2



Begin by placing the table upside down on a smooth surface please make sure the surface is not abrasive.

