

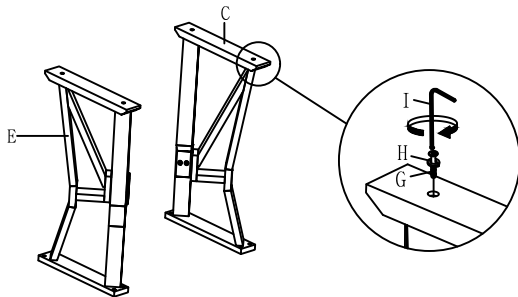
ASSEMBLY INSTRUCTIONS

ITEM NO : T462-05T/T462-05B

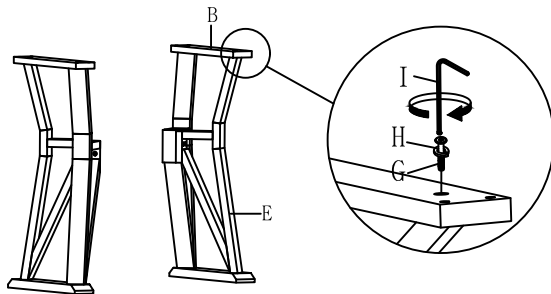
RECTANGULAR CONSOLE TABLE

Thank you for purchasing this quality product. Be sure to check all packing material carefully for small parts that may have come loose inside the carton during shipment.

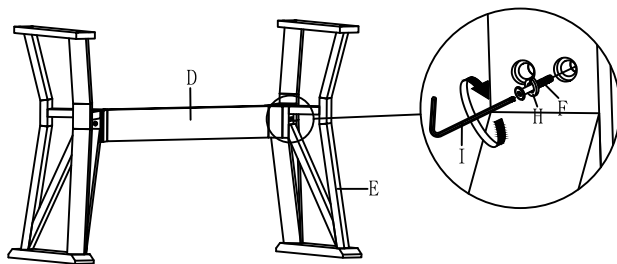
Step 1: Place Table Leg E and Table Leg Bottom Support C on a carpeted surface. Attach Table Leg E with Table Leg Bottom Support C by insert (I, H & G).



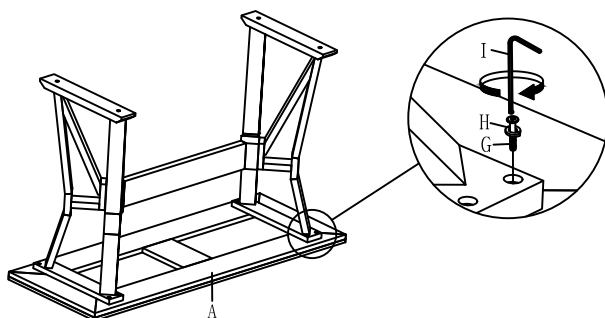
Step 2: Attach Table Leg Top Support B with Table Leg E by insert (I, H & G).



Step 3: Attach Table Leg E with Center Support D by insert (I, H & F).



Step 4: Attach Table Leg Top Support B with Table Top A by insert (I, H & G).



PARTS LIST :

NO.	Description	Sketch	Quantity
A	TABLE TOP		1pc
B	TABLE LEG TOP SUPPORT		2pcs
C	TABLE LEG BOTTOM SUPPORT		2pcs
D	CENTER SUPPORT		1pc
E	TABLE LEG		4pcs

HARDWARE LIST :

NO.	Description	Sketch	Quantity
F	JCBC SCREW M6 x 35MM(BLK)		8pcs
G	JCBC SCREW M6 x 30MM(BLK)		16pcs
H	SPRING WASHER 1/4"		24pcs
I	M4 ALLEN KEY (LONG)		1pc

Step 5: Finally, Assembly Completed!

