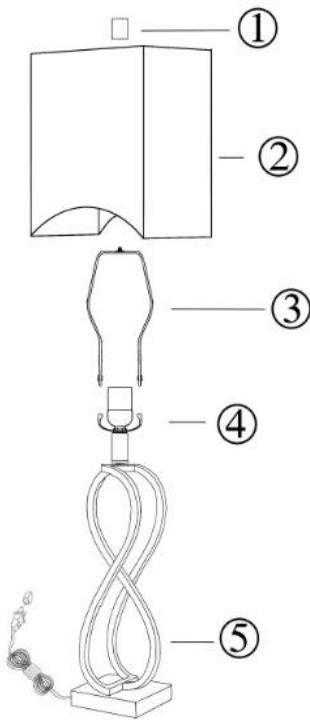


ASSEMBLY INSTRUCTION

Note: Please read carefully and save this instruction, as you may need them at a later date.

Vendor code: LMPL

RTG SKU: 90120975



IMPORTANT SAFETY INSTRUCTIONS: This product has a polarized plug (one blade is wider than the other) as a feature to reduce the risk of electric shock. This plug will fit in a polarized outlet only one way. If the plug does not fit fully in the outlet, reverse the plug. If it still does not fit, contact a qualified electrician. Never use with an extension cord unless plug can be fully inserted. Do not alter the plug.

GENERAL: All electrical connections must be in accordance with local and National Electrical Code (N.E.C.) standards. If you are unfamiliar with proper electrical wiring connections obtain the services of a qualified electrician.

1. Carefully remove all parts from box and remove all plastic covering from the lamp parts, make sure no parts are missing by referencing the illustrations on the assembly instruction.

2. Put the LAMP BODY on a table.

3. Place the HARP onto the SADDLE.

4. Put the SHADE onto the HARP and tighten it with the FINIAL.

- ①. FINIAL
- ②. SHADE
- ③. HARP
- ④. SADDLE
- ⑤. LAMP BODY