

FCC PART 15

Note: This equipment has been tested and found to comply with the limits for a Class B digital device, pursuant to Part 15 of the FCC rules. These limits are designed to provide reasonable protection against harmful interference in a residential installation. This equipment generates, uses and can radiate radio frequency energy and, if not installed and used in accordance with the instructions, may cause harmful interference to radio communications. However, there is no guarantee that the interference will not occur in a particular installation. If this equipment does cause harmful interference to radio or television reception, which can be determined by turning the equipment off and on, the user is encouraged to try to correct the interference by one or more of the following measures:

- Reorient or relocate the receiving antenna.
- Increase the separation between the equipment and receiver.
- Connect the equipment into an outlet on a circuit different from that of the receiver.
- Consult the dealer or an experienced radio/TV technician for help.

Changes or modifications not expressly approved by the party responsible for compliance could void the user's authority to operate the equipment.

This device complies with Part 15 of the FCC Rules. Operation is subject to the following two conditions:

- (1) this device may not cause harmful interference, and
- (2) this device must accept any interference received, including interference that may cause undesired operation.

CAUTION: Any change or modification to product not expressly recognized by OttLite Technologies voids OttLite's responsibility for proper function of product.

CAN ICES-005 (B)/NMB-005

AC/DC ADAPTER

Input: AC 100-240V, 50/60 Hz, 1A
Output: 24V DC, 1A with a Male DC Plug

THIS LAMP CONTAINS a 5V-2.1A USB output port (N) located on the bottom rear of lamp. USB port can charge such items as tablets, cellular phones, etc.

CONGRATULATIONS!

You've purchased the finest in natural lighting technology with your new OttLite® product.

PRODUCT REGISTRATION FORM

Please complete the enclosed Product Registration Form and return it today by mail, or register online by going to: OttLite.com/warranty.

LAMP ASSEMBLY

1. Remove lamp from packing placing lamp body base (A) on a flat steady surface.
2. Attach counterbalance (C) to arm (D) by turning clockwise until snug.
3. Connect power adapter input (K) into connector (L) in the rear-bottom of the lamp.
4. Plug the A/C adapter (J) into a standard household 120V AC outlet.
Note: Only use with the supplied AC adapter to avoid damage or fire.
5. Power switch (B) is a "touch" switch that controls ON/OFF power, the LED brightness settings, and the color mode function of the lamp.
6. To power LED settings, slightly touch the switch to achieve the following:
 - turn lamp "ON" to 1st brightness setting; touch the switch "once";
 - for 2nd brightness setting; touch the switch "two-times";
 - for 3rd brightness setting; touch the switch "three-times";
 - to turn lamp "OFF"; touch the switch "four-times".
7. This lamp provides three color modes. To adjust lighting color mode "touch" switch (B) to turn "ON" lamp, then slightly "touch" switch (B) and keep depressed 1-2 seconds to change light color temperature mode; 5000°K, 4000°K, 2700°K.
NOTE: The lamp will remember the last color mode setting.
8. To adjust height and angle of the shade (F) turn thumbscrew (H) counterclockwise to loosen, adjust arm (D) to desired height, then turn thumbscrew (H) clockwise to tighten. Adjust joint (E) and/or rotate the shade (F) until desired position is achieved. To avoid damage to the lamp, **DO NOT OVERTIGHTEN** as this would strip the thread.

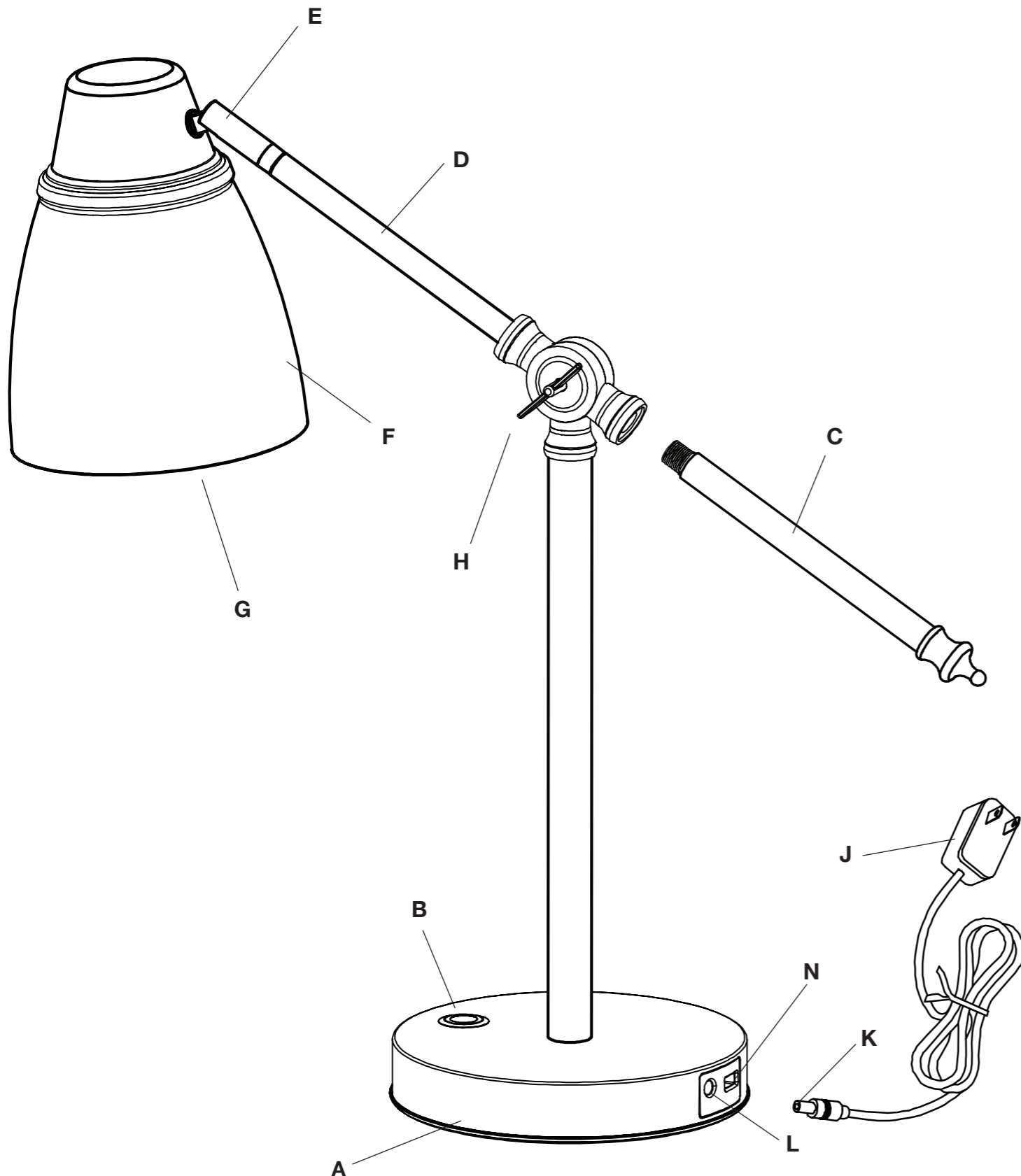
SAFETY WARNING: TO REDUCE THE RISK OF FIRE, ELECTRIC SHOCK, OR INJURY TO PERSONS

1. Turn lamp off and **WAIT UNTIL LAMP HEAD (F) IS COOL** before handling.
2. The LED panel (G) might get hot after several hours of continuous use, **DO NOT** place your hands directly on LED light panel.
3. Never use with an extension cord unless the plug can be fully inserted into the receptacles in the extension cord.
4. Do not alter the plug.
5. The lamp head included with this unit cannot be replaced by the consumer.
6. **INDOOR USE ONLY.**

NOTE: The important safety instructions appearing in this instruction sheet are not meant to cover all possible conditions and situations that may occur. It must be understood that common sense, caution, and care must be used with any electrical product.

CAUTION! IF THE EXTERNAL FLEXIBLE CABLE OR CORD OF THIS LUMINAIRE IS DAMAGED, IT SHALL BE EXCLUSIVELY REPLACED BY THE MANUFACTURER OR ITS SERVICE AGENT OR A SIMILAR QUALIFIED PERSON IN ORDER TO AVOID A HAZARD. **INDOOR USE ONLY.**

CAUTION! THE LIGHT SOURCE OF THIS LUMINAIRE IS NOT REPLACEABLE; WHEN THE LIGHT SOURCE REACHES IT'S END OF LIFE THE WHOLE LUMINAIRE SHALL BE REPLACED.



Harmonize LED Desk Lamp with USB

CS01SV9 CS01SV9-SHPR

GD33-USB