



Wireless Charging Station and Night Light

FCC PART 15

Note: This equipment has been tested and found to comply with the limits for a Class B digital device, pursuant to Part 15 of the FCC rules. These limits are designed to provide reasonable protection against harmful interference in a residential installation. This equipment generates, uses and can radiate radio frequency energy and, if not installed and used in accordance with the instructions, may cause harmful interference to radio communications. However, there is no guarantee that the interference will not occur in a particular installation. If this equipment does cause harmful interference to radio or television reception, which can be determined by turning the equipment off and on, the user is encouraged to try to correct the interference by one or more of the following measures:

- Reorient or relocate the receiving antenna.
- Increase the separation between the equipment and receiver.
- Connect the equipment into an outlet on a circuit different from that of the receiver.
- Consult the dealer or an experienced radio/TV technician for help.

Changes or modifications not expressly approved by the party responsible for compliance could void the user's authority to operate the equipment.

This device complies with Part 15 of the FCC Rules. Operation is subject to the following two conditions:

- (1) this device may not cause harmful interference, and
- (2) this device must accept any interference received, including interference that may cause undesired operation.

"FCC/IC RF Radiation Exposure Statement Caution: To maintain compliance with the FCC's RF exposure guidelines, place at least 20cm from nearby persons."

CAN RSS-216/CNR-216

CAN ICES-005 (B)/NMB-005 (B)

CAUTION: Any change or modification to product not expressly recognized by OttLite Technologies voids OttLite's responsibility for proper function of product.

POWER ADAPTER SPECIFICATION:

Input: 100-240 V~, 50/60 Hz, 0.8 A

Output: 12V 2.0A with a Male DC Plug

Qi CHARGER SPECIFICATION:

Output: 5V, 1A or 5 watts

THIS PRODUCT CONTAINS A 5V, 2.1A USB output port (G) located on the bottom rear of product. USB port can charge items such as tablets, cellular phones, etc.

The "Qi" symbol is a trademark of the Wireless Power Consortium. All phones with integrated wireless charging support "Qi".

CONGRATULATIONS!

You've purchased the finest in natural lighting technology with your new OttLite® product.

PRODUCT REGISTRATION FORM

Please complete the enclosed Product Registration Form and return it today by mail.

WARNING: To prevent electric shock, make sure the product is not plugged in until all steps are complete.

NOTE: THIS UNIT IS FULLY ASSEMBLED

1. Remove product from packing, placing base (A) flat on a steady surface.
2. Connect power adapter input (B) into connector (C) in the rear-bottom of the product.
3. Plug the power adapter (D) into a standard household 120V AC outlet. **NOTE: Only use with the supplied power adapter to avoid damage or fire.**
4. Light frame (E) is a "touch" switch that controls ON/OFF power and the 3 level brightness settings. Touch anywhere on the frame to activate.
5. Wireless charger for Qi-certified devices (F) is located in the center of base (A). See Wireless Charging Instructions section for details.

WIRELESS CHARGING INSTRUCTIONS:

Wireless charging requires a Qi-certified device. To determine if your device is Qi-certified, please visit the Wireless Power Consortium website.

To wirelessly charge a device, perform the following:

- Place the device, which supports Qi wireless charging standard, face up on the middle of the Qi wireless charging area (F).
- When the device is centered on the Qi wireless charging area (F), a solid RED light will come on noting charging mode is active. Your device should show charging is taking place.
- Check the charge level on your device periodically to determine when device is fully charged. **NOTE:** Product DOES NOT provide any indication of when device is fully charged.

CAUTION! DEVICE MAY BECOME WARM DURING CHARGING. THIS IS NORMAL AND PART OF THE PROCESS. CHARGING TIMES VARY BY DEVICE.

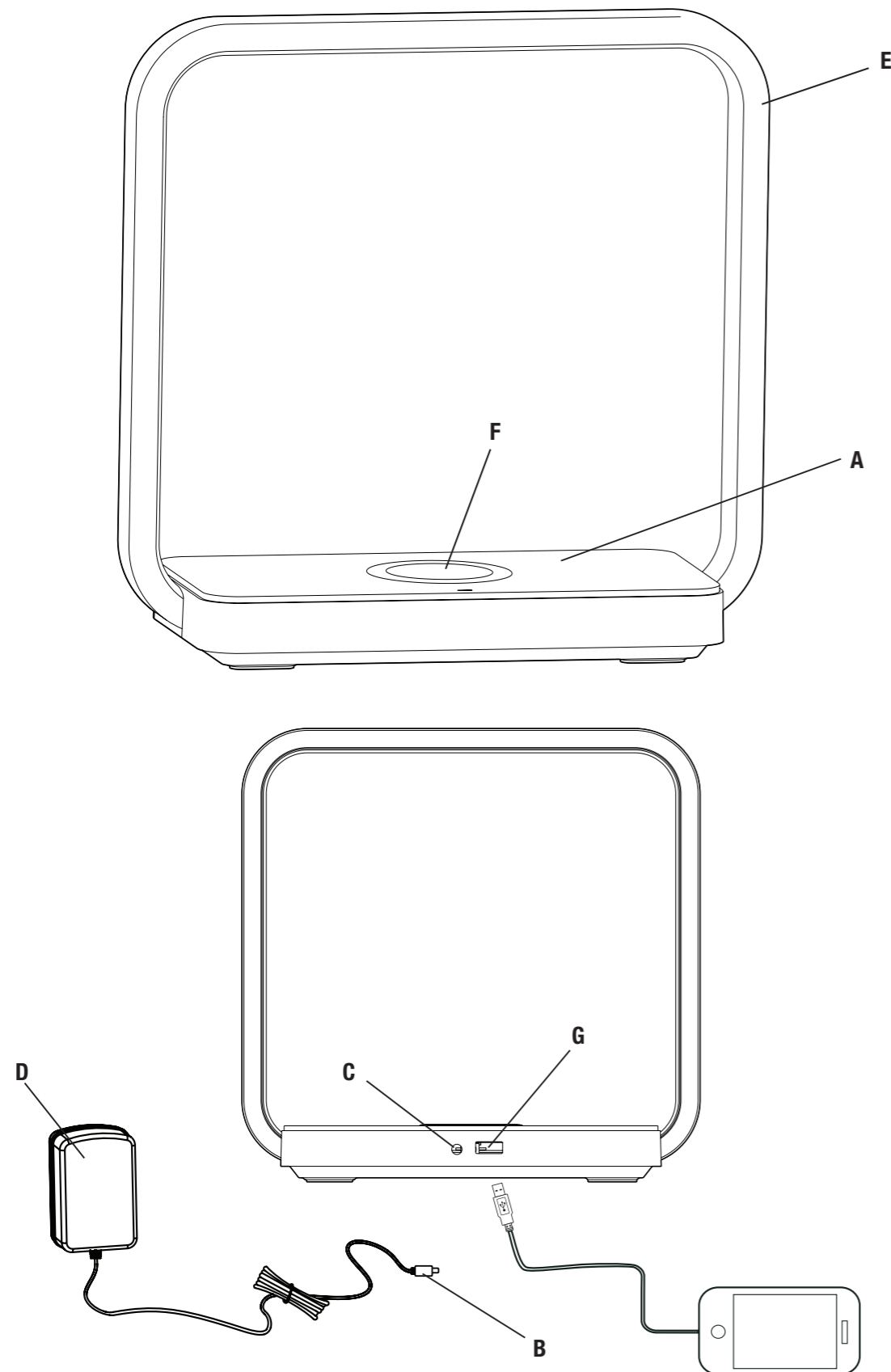
SAFETY WARNING: TO REDUCE THE RISK OF FIRE, ELECTRIC SHOCK, OR INJURY TO PERSONS

1. Turn product off and **WAIT UNTIL ADAPTER IS COOL** before handling.
2. Never use with an extension cord unless the plug can be fully inserted into the receptacles in the extension cord.
3. Do not alter the plug.
4. The light assembly included with this unit cannot be replaced by the consumer.
5. INDOOR USE ONLY.

NOTE: The important safety instructions appearing in this instruction sheet are not meant to cover all possible conditions and situations that may occur. It must be understood that common sense, caution, and care must be used with any electrical product.

CAUTION! IF THE EXTERNAL FLEXIBLE CABLE OR CORD OF THIS LUMINAIRE IS DAMAGED, IT SHALL BE EXCLUSIVELY REPLACED BY THE MANUFACTURER OR ITS SERVICE AGENT OR A SIMILAR QUALIFIED PERSON IN ORDER TO AVOID A HAZARD. INDOOR USE ONLY.

CAUTION! THE LIGHT SOURCE OF THIS LUMINAIRE IS NOT REPLACEABLE; WHEN THE LIGHT SOURCE REACHES ITS END OF LIFE THE WHOLE LUMINAIRE SHALL BE REPLACED.



Wireless Charging Station and Night Light

10342Q



A13