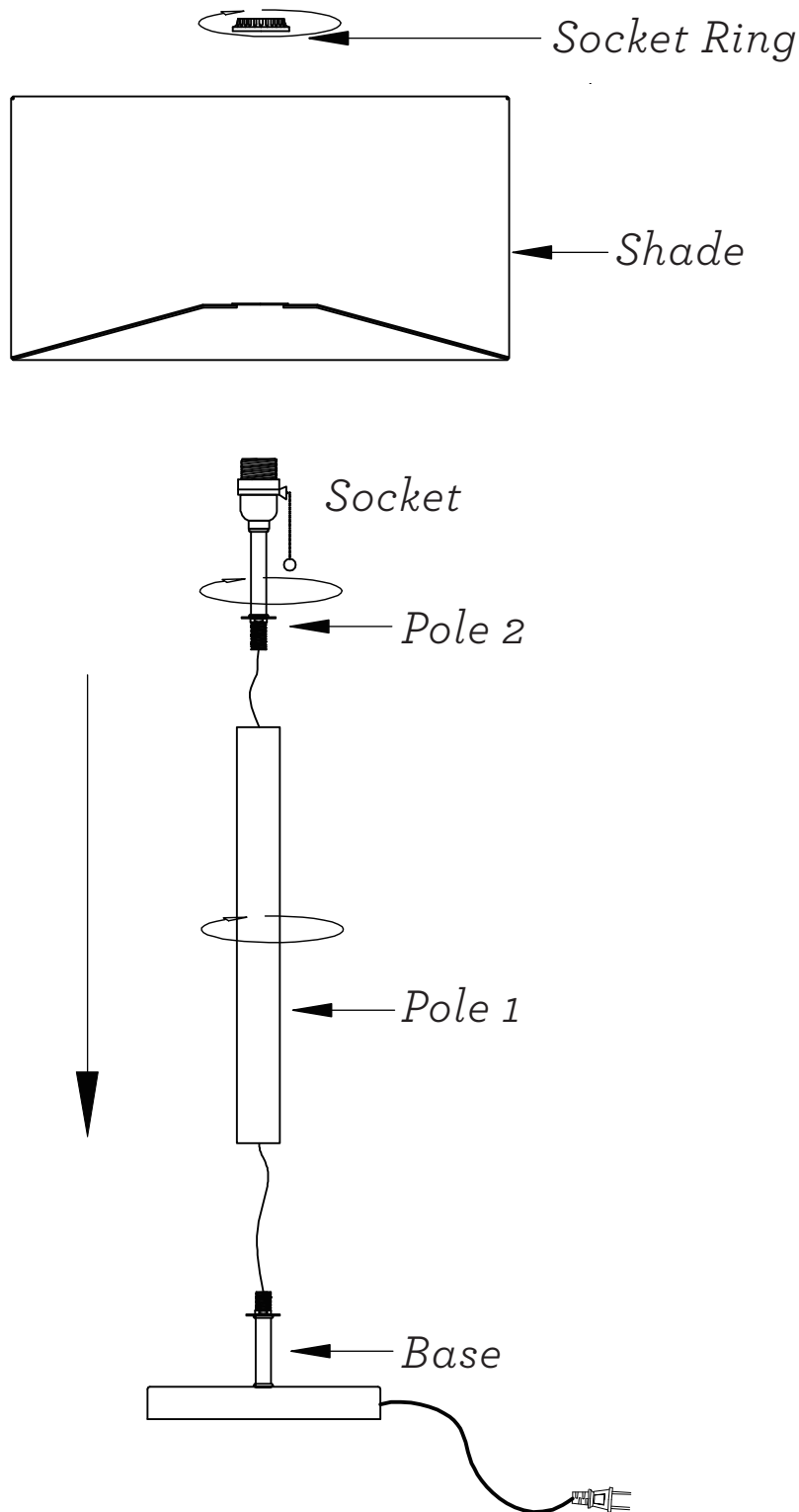


ASSEMBLY INSTRUCTIONS FOR HAMILTON TABLE LAMP

3376-15 1.0

Model # 3376-15



1. Remove all parts and lay on a flat surface.
2. Screw pole 1 clockwise into base to tighten.
3. Pull the remaining slack of the power cord out carefully through base and screw pole 2 clockwise into pole 1 to tighten.
4. Set shade on socket and tighten clockwise with socket ring to secure shade before screwing in light bulb.

GENERAL PRODUCT INFORMATION:

This product is suitable
for dry locations only.



IMPORTANT SAFETY INSTRUCTIONS:

This portable lamp has a polarized plug (one blade is wider than the other) as a feature to reduce the risk of electric shock. This plug will fit in a polarized outlet only one way. If the plug does not fit fully in the outlet, reverse the plug. If it still does not fit, contact a qualified electrician. Never use with an extension cord unless plug can be fully inserted. **DO NOT ALTER THE PLUG.**

BULB TYPE: (1) 100 watt incandescent or 26 watt CFL equivalent. (not included)