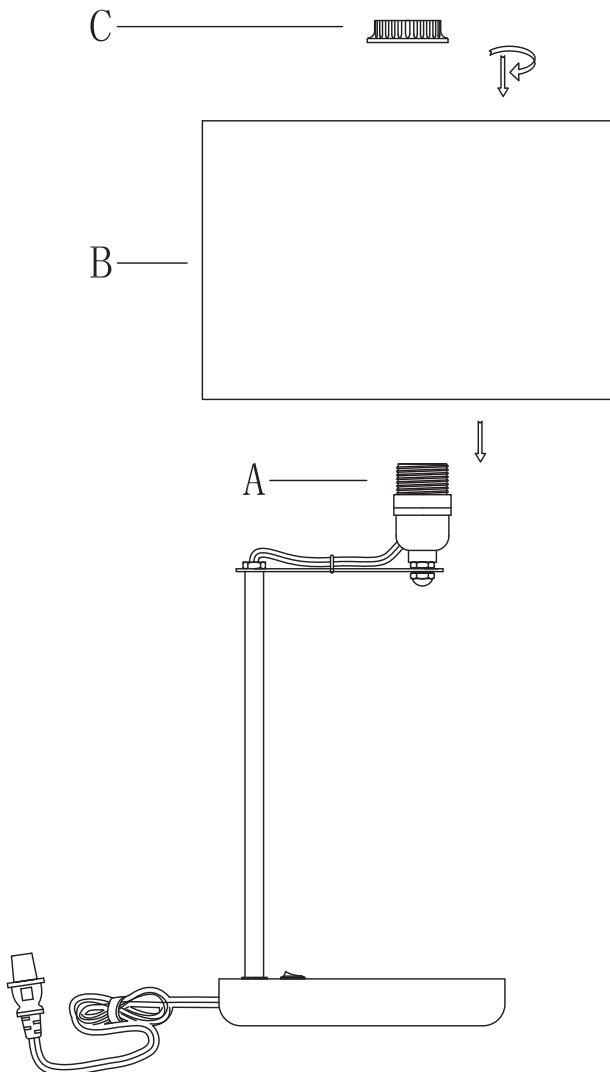


ASSEMBLY INSTRUCTIONS FOR Oliver AdessoCharge Table Lamp

Model # 3689-01



1. Place shade (B) onto the socket(A), and tighten clockwise with socket ring(C) to secure shade.

GENERAL PRODUCT INFORMATION:

This product is suitable
for dry locations only.



IMPORTANT SAFETY INSTRUCTIONS:

This portable lamp has a polarized plug (one blade is wider than the other) as a feature to reduce the risk of electric shock. This plug will fit in a polarized outlet only one way. If the plug does not fit fully in the outlet, reverse the plug. If it still does not fit, contact a qualified electrician. Never use with an extension cord unless plug can be fully inserted. **DO NOT ALTER THE PLUG.**

BULB TYPE: (1) 100 watt incandescent or 26 watt CFL equivalent . (not included)