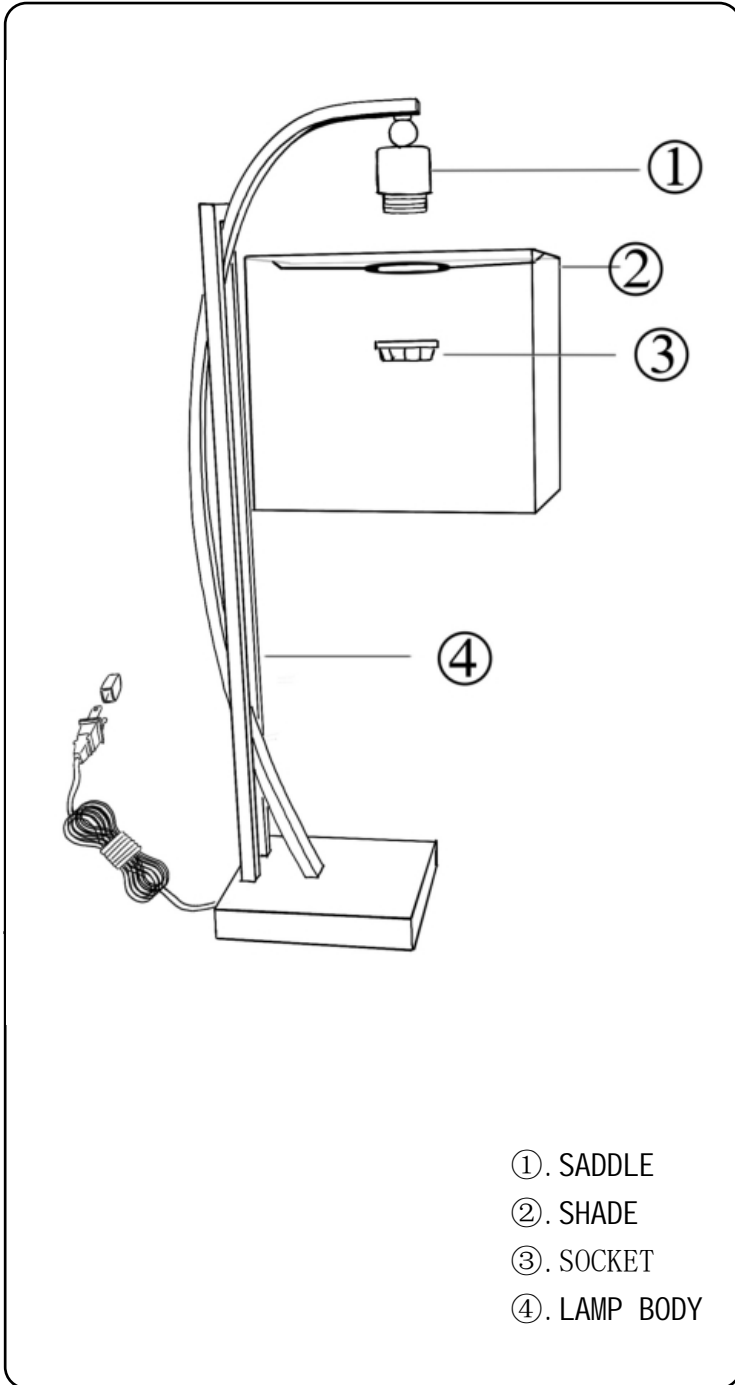


L&B HOME DECOR

90146311

ZX-YL10463A RTG INDUSTRIAL BRZ TABLE LAMP



ASSEMBLY INSTRUCTIONS:

1. Carefully unpack parts from carton, remove covering from parts and check that all parts are included as shown in the illustration.
2. Put the LAMP BODY on a table.
3. Place the SHADE onto the SADDLE.
4. Thread the SOCKET assembly clockwise to the pole SADDLE.

GENERAL PRODUCT INFORMATION:

This lamp is meant for indoor use.
Dry locations only.



IMPORTANT SAFETY INSTRUCTIONS:

This portable luminaire has a polarized plug (one blade is wider than the other) as a safety feature to reduce risk of electric shock. This plug will fit in a polarized outlet only one way. If the plug does not fit fully in the outlet, reverse the plug. If it still does not fit, contact a qualified electrician. Never use with an extension cord unless plug can be fully inserted.

Do not alter the plug.

Do not attempt to defeat this safety feature.

BULE TYPE: one type A Max 60W bulb (bulb not included).

This product is manufactured by (LMPL) for

ROOMS TO GO

L&B HOME DECOR

90146311

ZX-YL10463A RTG INDUSTRIAL BRZ TABLE LAMP

IMPORTANT SAFETY INSTRUCTIONS



Read all instructions before using this furnishing.

DANGER - To reduce the risk of electric shock.

- This portable lamp has a polarized plug (one blade is wider than the other) as a safety feature to reduce the risk of electric shock.
- This plug will fit in a polarized outlet only one way.
- If the plug does not fit fully in the outlet, reverse the plug.
- If it still does not fit, contact a qualified electrician.
- Never use with an extension cord unless the plug can be fully inserted.
- Do not alter the plug.

INSTRUCCIONES DE SEGURIDAD IMPORANTES



Leer todas las instrucciones antes de usar este mobiliario.

PELIGRO - Para reduce el riesgo de descargas eléctrica.

Esta lámpara portátil tiene un enchufe polarizado (una hoja es más ancha que la otra) como característica de seguridad para reducir el riesgo de descarga eléctrica. Este enchufe encajará en una salida polarizada de una sola manera.
Si el enchufe no encaja completamente en el tomacorriente, invierta el enchufe.
Si aún no encaja, comuníquese con un electricista calificado. Nunca lo use con un cable de extensión a menos que el enchufe se pueda insertar completamente.
No altere el enchufe.



WARNING

CHOKING HAZARD -- Small Parts
This piece contains small parts, not intended for children under 3 years of age.

This product is manufactured by (LMPL) for **ROOMS TO GO**