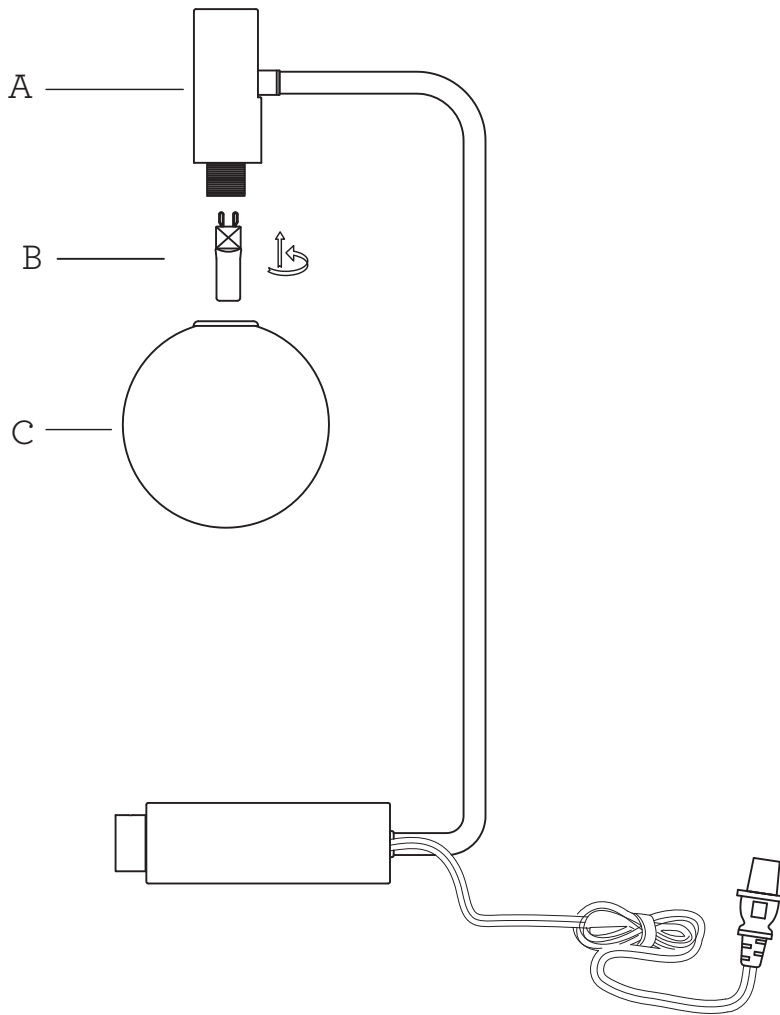


ASSEMBLY INSTRUCTIONS FOR Windsor AdessoCharge LED Desk Lamp

3214-01
3214-22 1.0

Model # 3214-01
3214-22



1. Remove all parts and lay on a flat surface.
2. Plug G9 LED bulb (B) into socket (A) .
3. Screw glass shade (C) clockwise carefully onto socket (A) to tighten .

GENERAL PRODUCT INFORMATION:

This product is suitable
for dry locations only.



IMPORTANT SAFETY INSTRUCTIONS:

This portable lamp has a polarized plug (one blade is wider than the other) as a feature to reduce the risk of electric shock. This plug will fit in a polarized outlet only one way. If the plug does not fit fully in the outlet, reverse the plug. If it still does not fit, contact a qualified electrician. Never use with an extension cord unless plug can be fully inserted. **DO NOT ALTER THE PLUG.**

BULB TYPE: (1) 4.5 watt G9 LED bulb included .

GET INSPIRED. SHARE YOUR STYLE.

#myadesso

Visit www.adessohome.com for details.